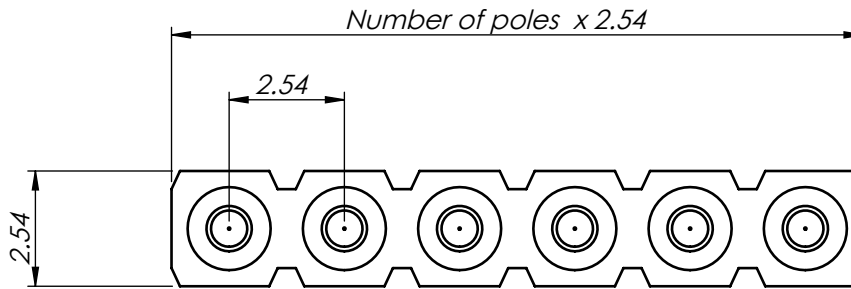
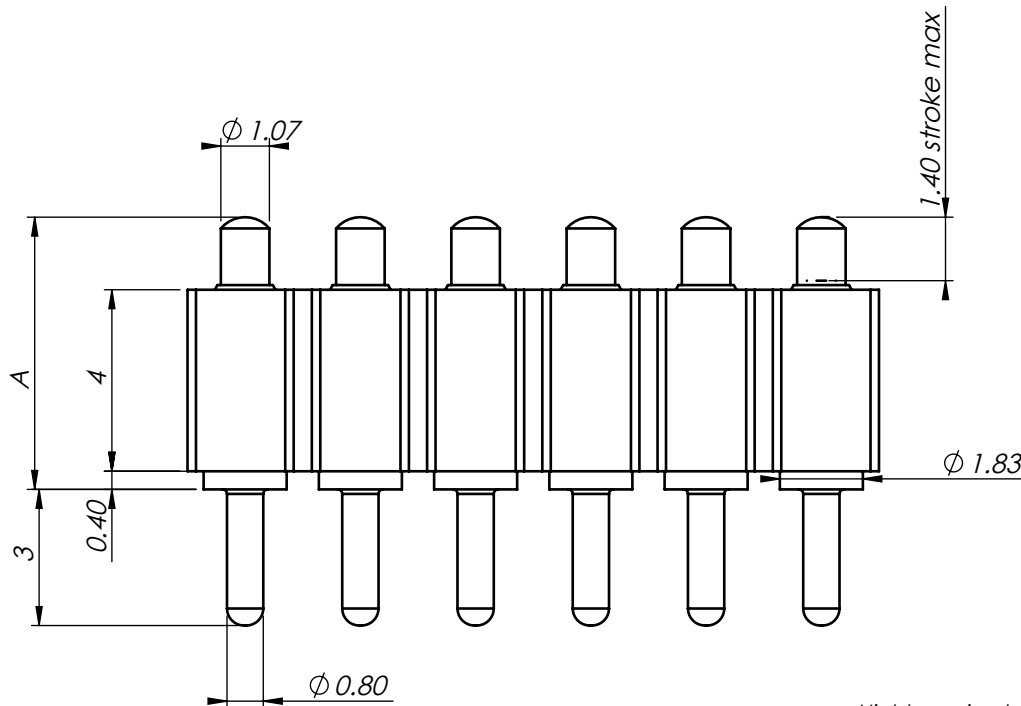


**DOUBLE ROW**



**SINGLE ROW**



Hightemp insulator LCP (reflow process)

Flammability: UL 94V-0

Piston and barrel: Brass

Spring: Music wire gold plated

Spring force : 0.25 N to 0.80 N

Contact life: 50'000 cycles

Current rating: 3.5 A

Plating: Barrel: 0.25  $\mu$ m gold - Piston: 0.5  $\mu$ m gold

**A4V** Scale 6:1

UNLESS OTHERWISE SPECIFIED:  
DIMENSIONS ARE IN MILLIMETERS  
GENERAL TOLERANCES ISO 2768m



Remark:

The information contained in this drawing is proprietary to E-tec and shall not be reproduced or disclosed in whole or in part or used for any design or manufacture except where such user possesses direct, written authorization from E-tec

REV	0	modif:	
NAME	sme	DATE	05.10.2014
DRAWN	sme	DATE	05.10.2014
REV'D	-	-	-
CHK'D	-	-	-
APP'VD	sme	DATE	09.11.2014

"E-tec order code"

**PPT-XXX-M4XX-67**

1 = single row	Number of poles	60 A = 6.0mm
2 = dual row	Single row : 2 to 64	65 A = 6.5mm
	Dual row 4 to 72	70 A = 7.0mm
		75 A = 7.5mm

**www.e-tec.com**