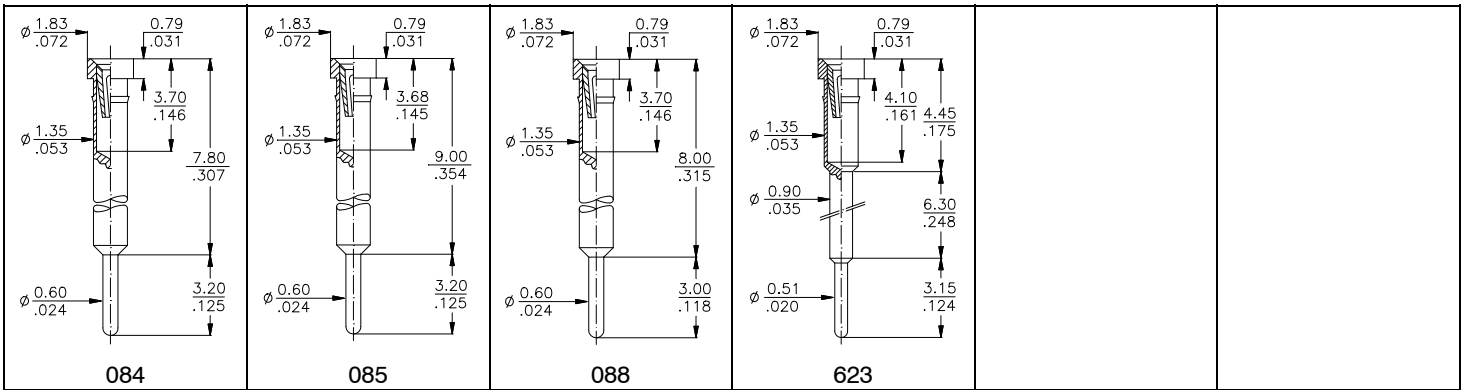
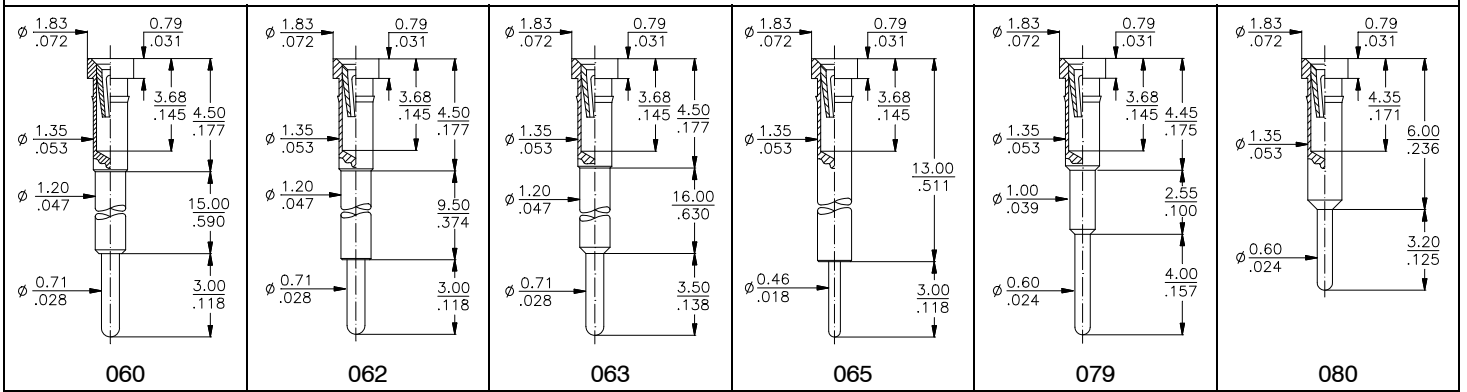


## Socket Terminals

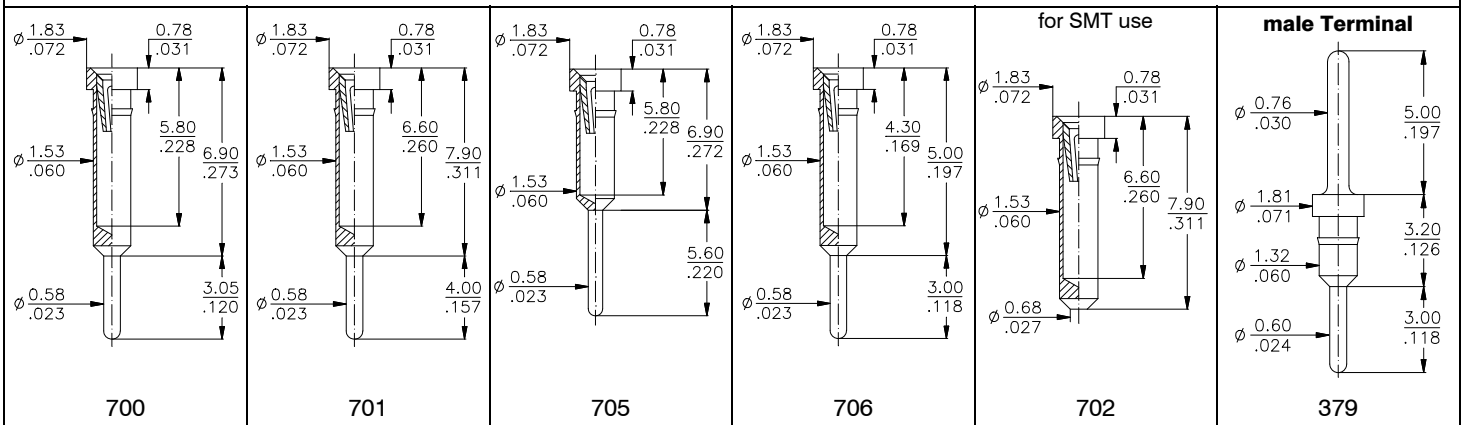
<p>001</p>	<p>008</p>	<p>009</p>	<p>010</p>	<p>Terminal for Carrier use</p> <p>012</p>	<p>047</p>
<p>083</p>	<p>095 (soft brass)</p>	<p>250</p>	<p>for pitch 1,27mm/.050" &amp; 1,50mm/.059"</p> <p>117</p>	<p>for pitch 1,778mm/.070" &amp; 2,00mm/.079"</p> <p>118</p>	
<p>for pitch 1,00mm/.039"</p> <p>172</p>	<p>for pitch 0,80mm/.031"</p> <p>174</p>	<p>for pitch 1,27mm/.050"</p> <p>148</p>	<p>for SMT pitch 1,27mm/.050" 1,50mm/.059" - 2,00mm/.079"</p> <p>119</p>	<p>for SMT pitch 1,00mm/.039"</p> <p>167</p>	<p>for SMT pitch 0,80mm/.031"</p> <p>169</p>
<p>for SMT use possible</p> <p>014</p>	<p>for SMT use possible</p> <p>016</p>	<p>for SMT use possible</p> <p>093</p>	<p>for SMT use possible</p> <p>144</p>	<p>for SMT use possible</p> <p>147</p>	<p>for SMT use possible</p> <p>157</p>
<h2>Wire Wrap Terminals</h2>					
<p>002</p>	<p>003</p>	<p>030 (Nail Head)</p>	<p>038</p>		

## Raised Terminals

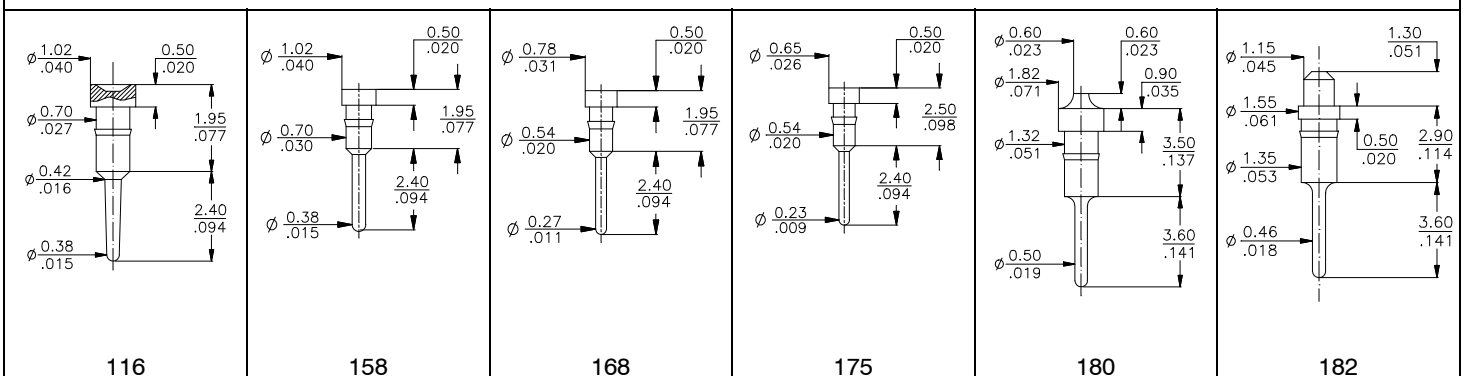


## „Jumbo“ Contact & Male Terminals

( Contact accepts 0,64mm/.025" sq. & 0,90mm/.036" dia. Pins )



## Solder Adapter Terminals



## Board to Board Terminals

<p>Terminal 037 dimensions: <math>\phi</math> 0.64 / .025, 4.22 / .166, <math>\phi</math> 1.83 / .072, 3.93 / .154, <math>\phi</math> 1.35 / .053, 3.96 / .156, <math>\phi</math> 0.46 / .018.</p>	<p>Terminal 056 dimensions: <math>\phi</math> 0.65 / .025, 4.68 / .184, <math>\phi</math> 1.52 / .060, 14.82 / .583, <math>\phi</math> 1.83 / .072, 1.35 / .053, 3.40 / .134, <math>\phi</math> 0.46 / .018.</p>	<p>Terminal 057 dimensions: <math>\phi</math> 0.65 / .025, 4.10 / .161, <math>\phi</math> 1.83 / .072, 3.90 / .153, <math>\phi</math> 1.35 / .053, 7.19 / .283, <math>\phi</math> 0.50 / .019.</p>	<p>Terminal 058 dimensions: <math>\phi</math> 0.46 / .018, 3.56 / .140, <math>\phi</math> 1.52 / .060, 8.89 / .350, <math>\phi</math> 1.83 / .072, 1.35 / .053, 3.40 / .134, <math>\phi</math> 0.46 / .018.</p>	<p>Terminal 059 dimensions: <math>\phi</math> 0.46 / .018, 3.56 / .140, <math>\phi</math> 1.52 / .060, 11.61 / .457, <math>\phi</math> 1.83 / .053, 1.35 / .072, 3.40 / .134, <math>\phi</math> 0.46 / .018.</p>	
<p>Terminal 077 dimensions: <math>\phi</math> 0.46 / .018, 4.22 / .166, <math>\phi</math> 1.83 / .072, 3.68 / .144, <math>\phi</math> 1.35 / .053, 3.96 / .156, <math>\phi</math> 0.46 / .018.</p>	<p>Terminal 078 dimensions: <math>\phi</math> 0.64 / .025, 12.95 / .509, <math>\phi</math> 1.83 / .072, 3.94 / .155, <math>\phi</math> 1.35 / .053, 3.96 / .155, <math>\phi</math> 0.46 / .018.</p>	<p>Terminal 220 dimensions: <math>\phi</math> 0.46 / .018, 4.22 / .166, <math>\phi</math> 1.83 / .072, 3.34 / .131, <math>\phi</math> 1.35 / .053, 5.80 / .228, <math>\phi</math> 0.64 / .025.</p>	<p>Terminal 372 dimensions: <math>\phi</math> 0.51 / .020, 4.22 / .166, <math>\phi</math> 1.60 / .062, 3.93 / .154, <math>\phi</math> 1.35 / .053, 3.96 / .156, <math>\phi</math> 0.46 / .018.</p>	<p>Terminal 377 dimensions: <math>\phi</math> 0.46 / .018, 3.17 / .124, <math>\phi</math> 1.82 / .072, 0.30 / .012, 7.33 / .288, <math>\phi</math> 0.46 / .018, 2.52 / .099.</p>	
<p>Terminal 542 dimensions: <math>\phi</math> 0.46 / .018, 2.95 / .116, <math>\phi</math> 1.48 / .058, 19.05 / .750, <math>\phi</math> 1.83 / .072, 1.35 / .053, 3.40 / .133, <math>\phi</math> 0.46 / .018.</p>	<p>Terminal 544 dimensions: <math>\phi</math> 0.46 / .018, 3.56 / .140, <math>\phi</math> 1.18 / .046, 10.50 / .413, <math>\phi</math> 1.83 / .072, 1.35 / .053, 3.40 / .133, <math>\phi</math> 0.46 / .018.</p>	<p>Terminal 562 dimensions: <math>\phi</math> 0.46 / .018, 3.56 / .140, <math>\phi</math> 1.48 / .058, 14.82 / .583, <math>\phi</math> 1.83 / .072, 1.35 / .053, 3.40 / .133, <math>\phi</math> 0.46 / .018.</p>	<p>Terminal 583 dimensions: <math>\phi</math> 0.46 / .018, 3.56 / .140, <math>\phi</math> 1.20 / .047, 5.70 / .224, <math>\phi</math> 1.83 / .053, 1.35 / .072, 2.40 / .094, <math>\phi</math> 0.46 / .018.</p>	<p>Terminal 770 dimensions: <math>\phi</math> 0.46 / .018, 3.60 / .141, <math>\phi</math> 1.80 / .070, 3.50 / .138, <math>\phi</math> 1.35 / .053, 2.90 / .114, <math>\phi</math> 0.46 / .018.</p>	<p>for pitch 1,27mm/.050"</p> <p>Terminal 774 dimensions: <math>\phi</math> 0.44 / .017, 2.40 / .094, <math>\phi</math> 1.00 / .039, 6.05 / .238, <math>\phi</math> 0.85 / .033, 2.85 / .112, <math>\phi</math> 0.44 / .017.</p>

## Header Terminals

<p>Terminal 036 dimensions: <math>\phi</math> 0.96 / .038, 3.81 / .150, 3.99 / .157, 12.47 / .491, <math>\phi</math> 1.60 / .063, 6.58 / .259, <math>\phi</math> 2.00 / .079, 3.96 / .156, <math>\phi</math> 1.35 / .053, 3.96 / .156, <math>\phi</math> 0.46 / .018.</p>	<p>Terminal 353 dimensions: <math>\phi</math> 0.90 / .035, 2.55 / .100, 4.00 / .157, 3.45 / .135, <math>\phi</math> 1.80 / .070, 3.45 / .135, <math>\phi</math> 1.35 / .053, 3.15 / .124, <math>\phi</math> 0.50 / .019.</p>	<p>Terminal 038 (Wire Wrap) dimensions: <math>\phi</math> 0.90 / .035, 2.50 / .098, 3.50 / .137, 2.90 / .114, <math>\phi</math> 1.83 / .072, 12.62 / .496, <math>\phi</math> 1.35 / .053, <math>\phi</math> 0.64 / .025.</p>			
---	--	--	--	--	--