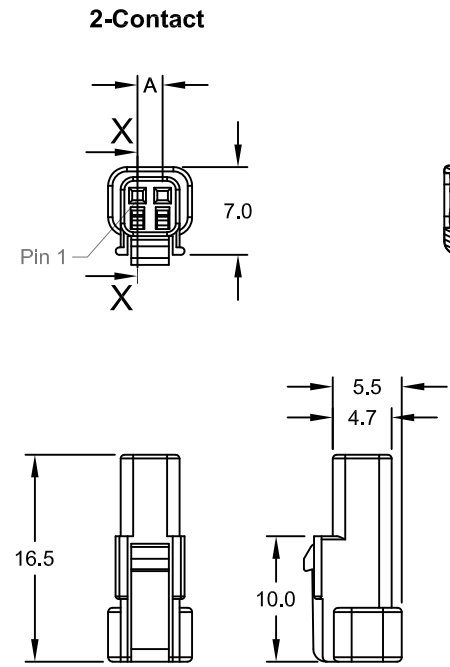
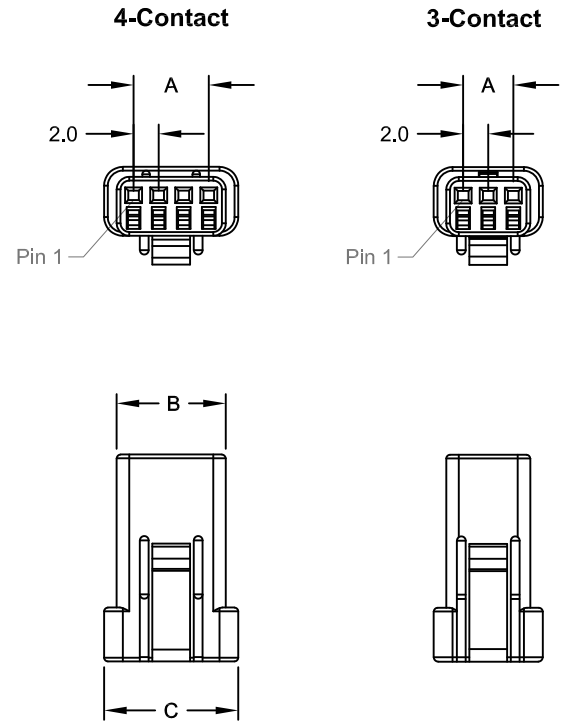
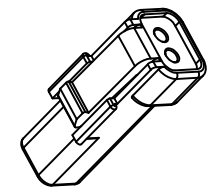
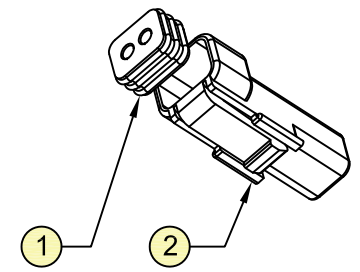
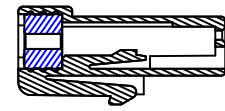


REV.	DESCRIPTION	DATE	DRAWN
A	New	20.08.2019	Cheng



X-X



Order Code
WWR-xxx-67-09-A/2

No. of contact
002 to 004

load with contact:
[WWR-999/25-99-A](#)

mate with:
[WWP-xxx-67-09-A/2](#) Male Housing



Specifications

Electrical
Current rating: 3A AC/DC per contact
Insulation resistance: 1000MΩ min.
Voltage rating: 250V AC/DC
Withstanding voltage: 1500V AC

Mechanical Requirements
Waterproof grade: IPX7 of IEC 60529
Operating temperature: -40°C to 105°C

No. of Contacts	Dimension mm		
	A	B	C
002	2.0	7.0	7.0
003	4.0	9.0	9.0
004	6.0	11.0	11.0

Item	Part Name	Materials / Finish(Color)	Q'TY
1	Gasket Plug	Silicone / Light Blue	1
2	Body	PBT + 15%GF / White	1

E-tec 2019 © - all rights reserved

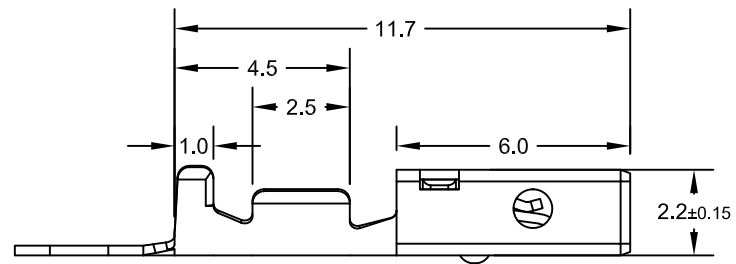
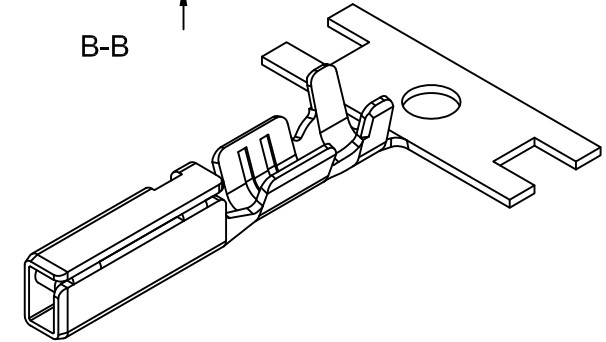
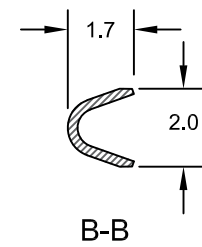
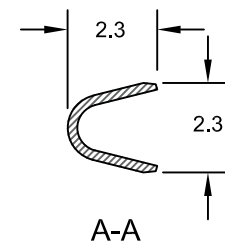
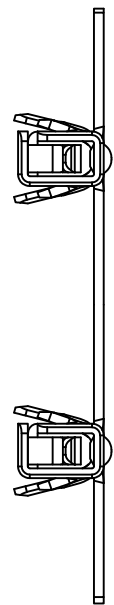
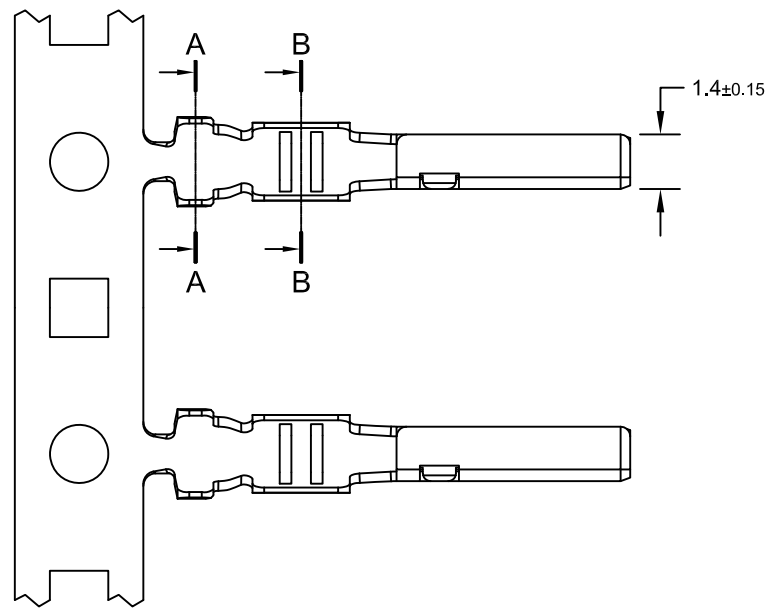


UNIT	mm	GENERAL TOLERANCE		DRAWN	Cheng	DATE	20.08.2019
SCALE	Free	X.° ±	X. ±	CHECK	Fagi	DATE	21.08.2019
		.XX° ±	.XX ±	APPROVE	Fagi	DATE	21.08.2019
		.XXX° ±	.XXX ±				

DWG. NO.	WWR-67-09-A/2	SHEET	1/2
SERIES NO.	WWR-xxx-67-09-A/2	REV.	A

Wire to Wire Connector
2/3/4-Contact Female Housing
2.00mm-Pitch - Waterproof

REV.	DESCRIPTION	DATE	DRAWN
A	NEW	21.08.2019	Cheng



Order Code
WWR-999/25-99-A



Materials

Contact: PhBz t=0.25mm
 Plating: Tin

Operating temperature: -40°C to +105°C

Applicable wire range: AWG #22 ~ #24

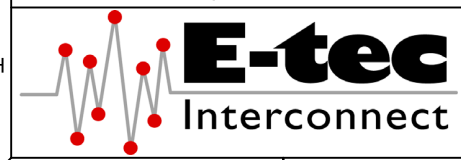
Specifications

Current rating: 3A AC/DC (AWG #22)
 Insulation resistance: 100MΩ min.
 Voltage rating: 250V AC/DC
 Withstanding voltage: 1500V AC / Minute
 Contact resistance: Initial value 10mΩ max.
 After enviromental testing 20mΩ max.

Packing

Reel: Q'ty 10.000pcs

E-tec 2019 © - all rights reserved



UNIT mm	GENERAL TOLERANCE		DRAWN Cheng	DATE 21.08.2019	DWG. NO. WWR-999/25	SHEET 2/2
	X.° ±	X. ±				
	.X° ±	.X ± 0.40				
	.XX° ±	.XX ± 0.25				
SCALE Free	.XXX° ±	.XXX ±	CHECK Fagi	DATE 21.08.2019	SERIES NO. WWR-999/25-99-A	REV. A
			APPROVE Fagi	DATE 21.08.2019		

Female Crimp Contact
 load in Housing
WWR-xxx-67-09-A/2