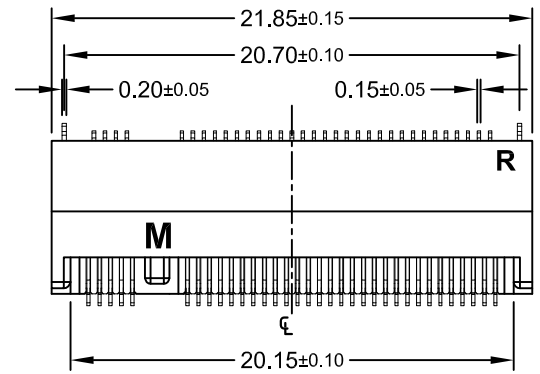
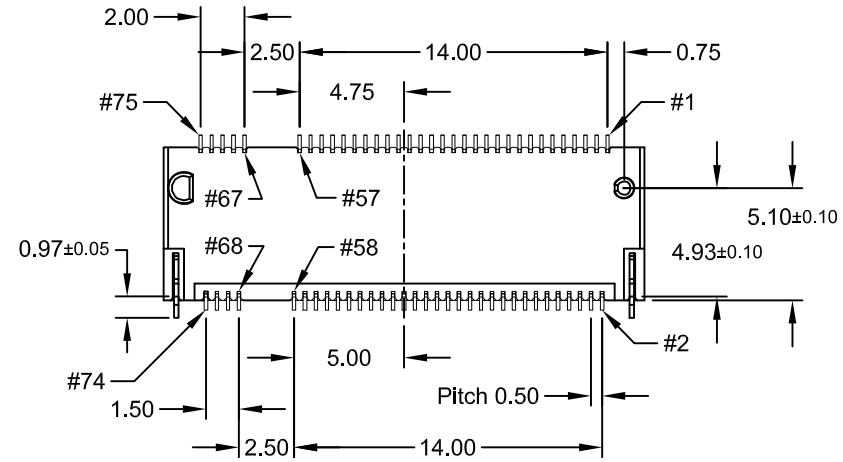
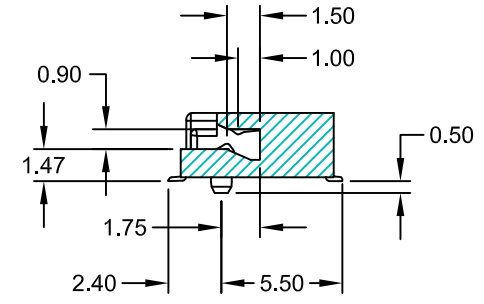
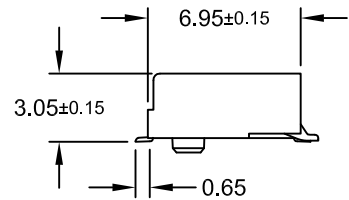
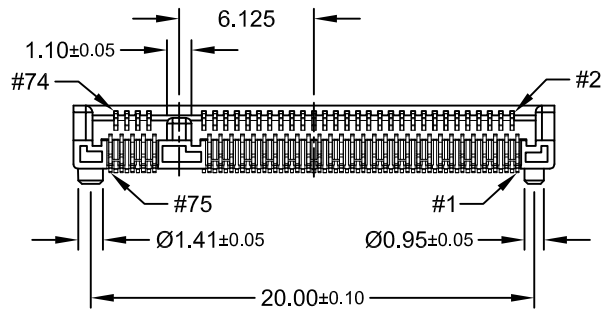


REV.	DESCRIPTION	DATE	DRAWN
A	New	09.04.2018	Ronny



**Order Code**  
**MPE-075-REMR9-55/R**



**Specifications**

**Electrical**

Current rating: 0.5A / Contact  
 Insulation resistance: 500MΩ min.  
 Contact resistance: 55mΩ max.  
 Voltage rating: 35V AC  
 Withstanding voltage: 300V AC rms / Minute

**Material**

Contact: Copper Alloy  
 Plating: Au flash over Ni  
 Insulator: LCP (Black) UL 94V-0

Operating temperature: -40°C to +80°C  
 Processing temperature: +260°C +0/-5°C  
 for 10 seconds

**Mechanical Requirements**

Lifetime: 50 cycles min.

*For the PCB layout we refer to page 2/2*

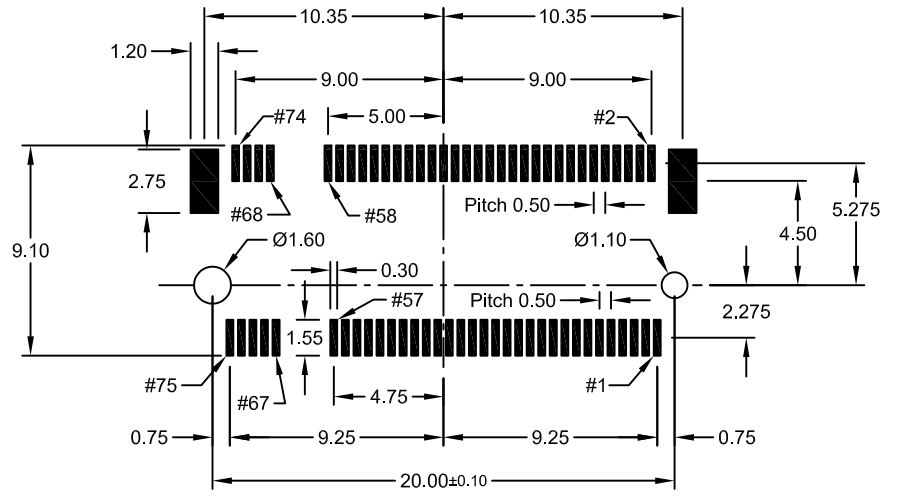
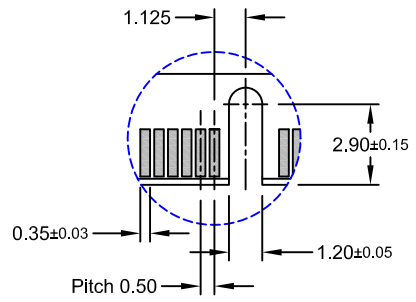
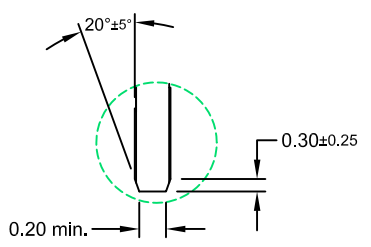
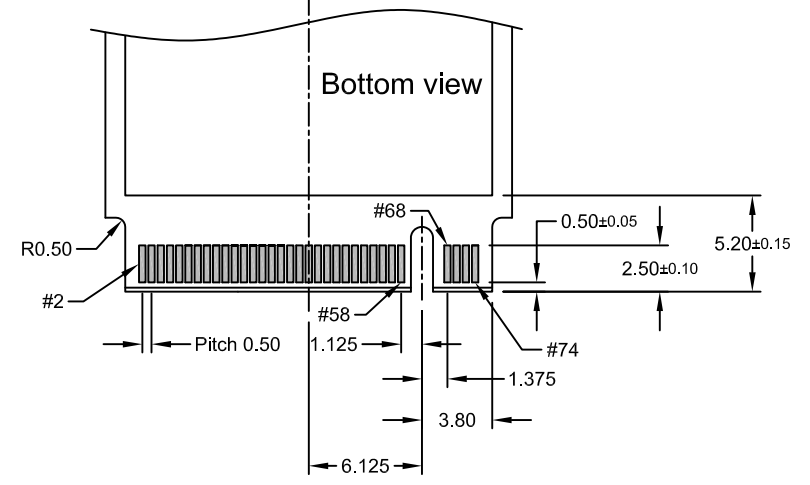
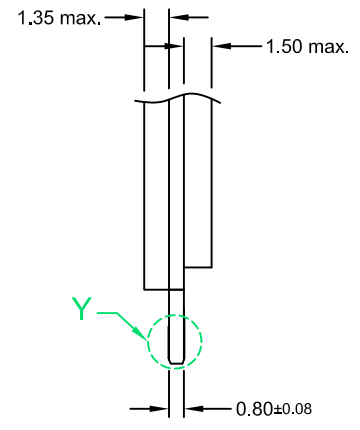
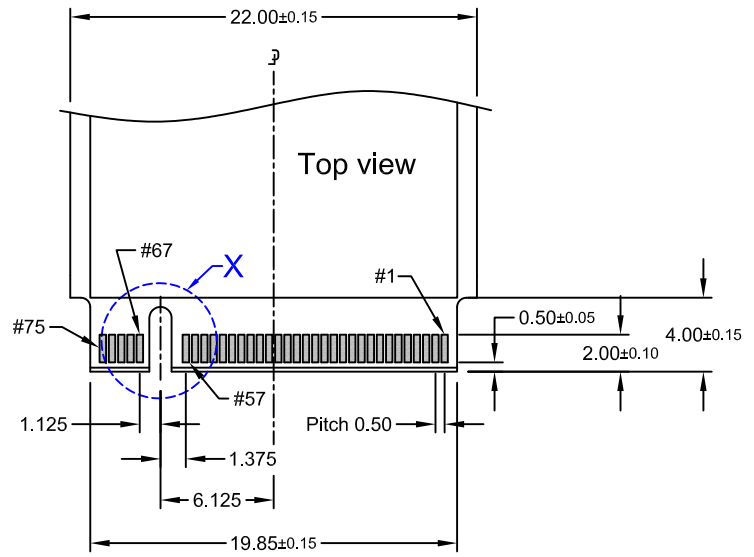
E-tec 2018 © - all rights reserved



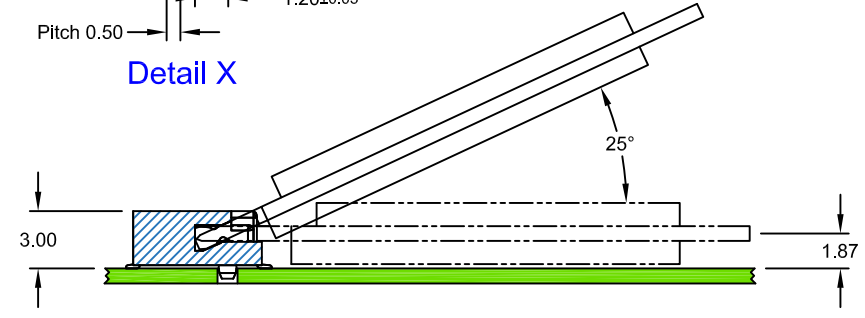
UNIT	GENERAL TOLERANCE		DRAWN	DATE	DWG. NO.	SHEET 1/2
mm	X.° ±	X. ±	Ronny	11.04.2018	MPE-075-REMR9	REV. A
SCALE	.X° ±	.X ±	Hogi	18.04.2018	SERIES NO.	
	.XX° ±	.XX ± 0.25	APPROVE	DATE	MPE-075-REMR9-xx/X	
	.XXX° ±	.XXX ±	Hogi	18.04.2018		

**Mini PCI Express Connector**  
**M.2 (NGFF) "M" Key Reverse**  
**0.50mm pitch 75 Contact Type**

REV.	DESCRIPTION	DATE	DRAWN
A	New	11.04.2018	RH



Recommended PCB Layout Top View  
(PCB TOLERANCE ±0.05)



E-tec 2018 © - all rights reserved



UNIT mm	GENERAL TOLERANCE		DRAWN Ronny	DATE 11.04.2018	DWG. NO. MPE-075-REMR9	SHEET 2/2
	X.° ±	X. ±				
	.XX° ±	.X ±				
	.XXX° ±	.XXX ±				
SCALE Free	GENERAL TOLERANCE		CHECK Hogi	DATE 18.04.2018	SERIES NO. MPE-075-REMR9-xx/X	REV. A
	X.° ±	X. ±				
	.XX° ±	.XX ± 0.10				
	.XXX° ±	.XXX ±				
	GENERAL TOLERANCE		APPROVE Hogi	DATE 18.04.2018	Recommended Module Design & PCB Layout	
	GENERAL TOLERANCE				for Mini PCI Express Connector M,2 (NGFF)	
	GENERAL TOLERANCE				0.50mm pitch 75 Contact "M" Key Reverse Type	
	GENERAL TOLERANCE					

**Recommended Module Design & PCB Layout**  
for Mini PCI Express Connector M,2 (NGFF)  
0.50mm pitch 75 Contact "M" Key Reverse Type