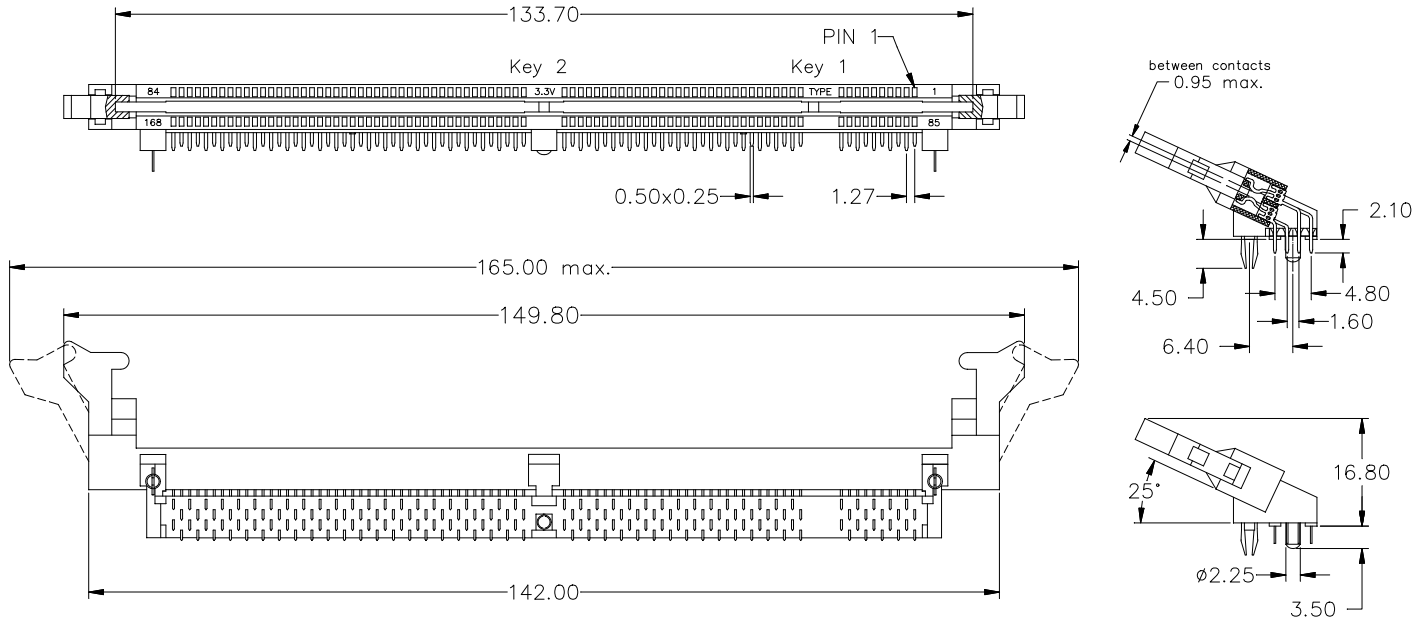


DIMM sockets are only available as long latch type
(Module locking extractors).

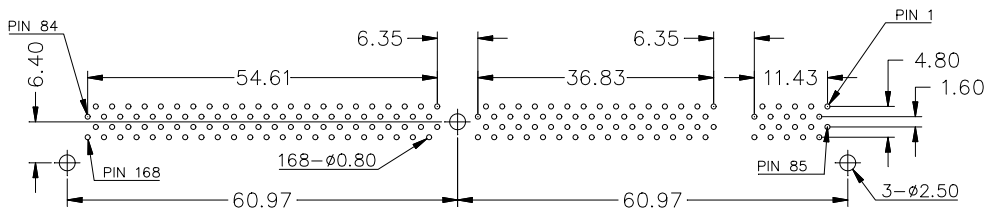
Insertion & extraction of the module can be made without any tools.

Positive polarization prevents wrong insertion of the module.

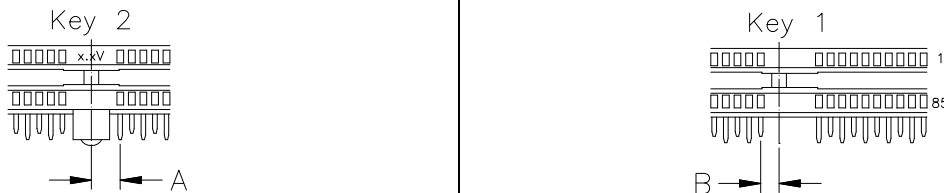
Contacts are designed with an anti-overstress feature for long contact life. Selective Gold/Tin plated. Gold only in contact area.



PC Board hole layout



Module keying



Specification

Current rating	1 A max., 250V AC	Operating temperature	-25° C to +105° C min.
Contact resistance	30 mΩ max.	Insulator (RoHS compliant)	high temp plastic UL 94 V-0
Breakdown voltage	1,5 KV RMS max.	Contact (RoHS compliant)	Copper Alloy
Insulation resistance	1000 MΩ min.	Plating	Au / Sn (leadfree) over Ni
Capacitance	1 pF max.		

Pin	Socket Type	Key No. 1	Key No. 2	Type	Ordering Code
168 pin	DRAM 3,3 Volt	DIM "B" = 3.175 mm	DIM "A" = 3.175 mm	AA	Please contact E-tec sales office for availability.
168 pin	SDRAM 3,3 Volt	DIM "B" = 4.175 mm	DIM "A" = 3.175 mm	BA	Please contact E-tec sales office for availability.
168 pin	UDRAM 3,3 Volt	DIM "B" = 2.175 mm	DIM "A" = 3.175 mm	CA	DM1 - 168 - SCA8 - 95/1L