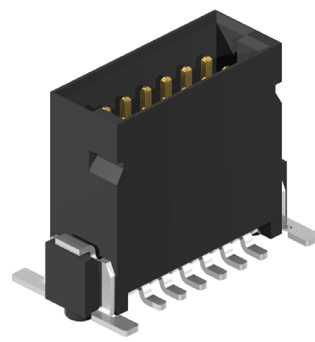
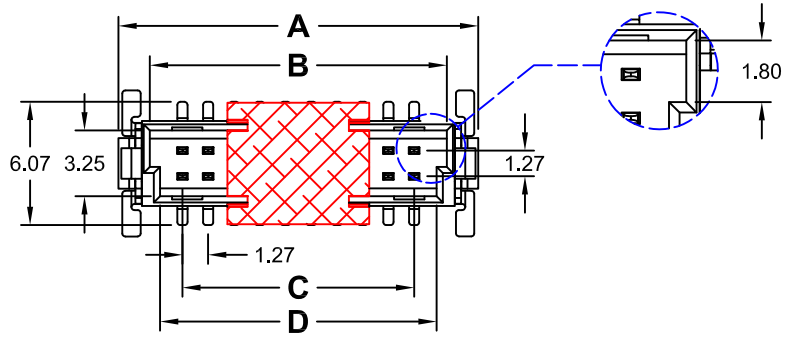
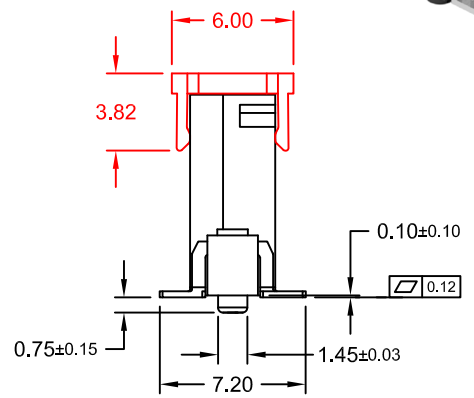
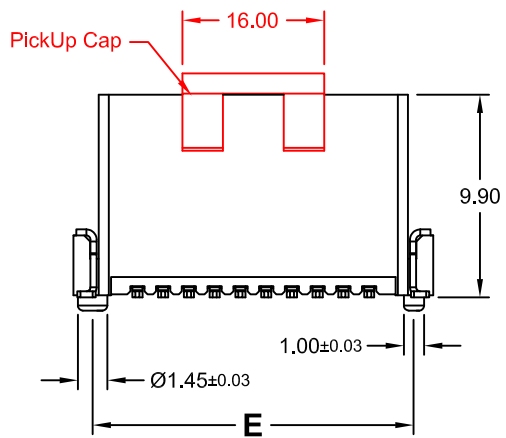


REV.	DESCRIPTION	DATE	DRAWN
A	New	23.01.2019	Ronny

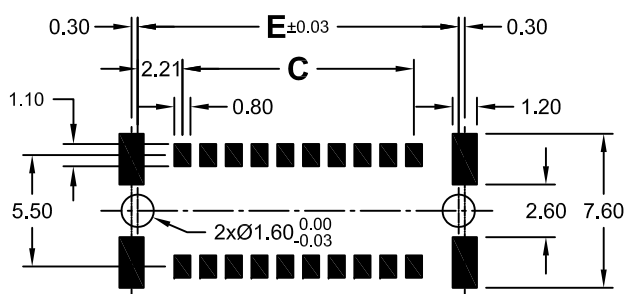


Order Code
MBC-xxx-QMV99-xx/11E

- Plating**
- 95 = Tin/Gold flash
 - 9L5 = Tin/ 3μ" Gold
 - 96 = Tin/10μ" Gold
 - 97 = Tin/15μ" Gold
 - 98 = Tin/30μ" Gold



No. of Pins	Dimension mm				
	A	B	C	D	E
040	30,48	27,35	24,13	26,35	28,55



Recommended PCB Layout Top View
(Tolerance ±0.05)



Specifications

Electrical
 Current rating: 0.5 ~ 1.0A
 Insulation resistance: 10000MΩ min.
 Contact resistance: 25mΩ max.
 Withstanding voltage: 500V

Material

Contact: Phosphor Bronze
 Plating: Tin on solder, Gold on contact area
 Insulator: LCP (black) UL 94V-0

Operating temperature: -55°C to +125°C
 Processing temperature: +260°C +0/-5°C for 5 seconds

Packing: Reel with Pickup Cap

E-tec 2018 © - all rights reserved



UNIT mm	GENERAL TOLERANCE		DRAWN Ronny	DATE 23.01.2019	DWG. NO. MBC-QMV99/11	SHEET 1/1
	X.° ±	X. ±	CHECK Hogi	DATE 23.01.2019	REV. A	
	.X° ±	.X ±	APPROVE Hogi	DATE 23.01.2019	SERIES NO. MBC-xxx-QMV99-xx/11E	
	.XX° ±	.XX ± 0.25				
SCALE Free		.XXX° ±	.XXX ±			

Multi BUS/Backplane Connector
Q-Type Male SMT vertical
 1.27mm pitch - height 9,90mm
compatible to ERNI INTERact® Series SMC Type