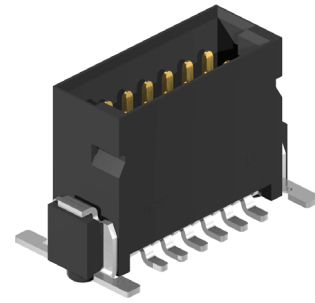
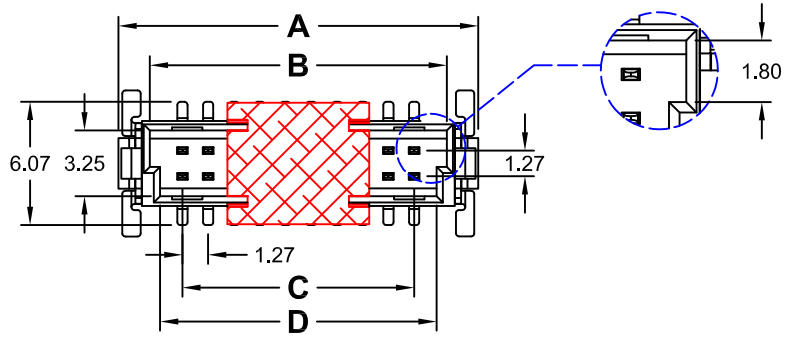


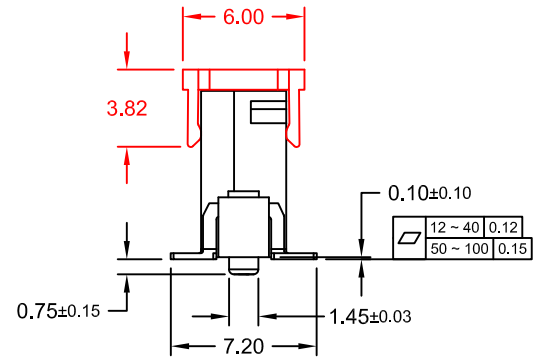
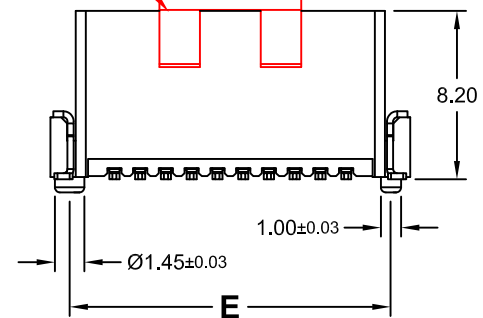
REV.	DESCRIPTION	DATE	DRAWN
A	New	05.12.2013	Ronny
D	add 10P & 20P	10.12.2018	RH
E	Design and solder feet improvement	18.12.2018	RH
F	separate datasheet for 6,70mm height	23.01.2019	Ronny



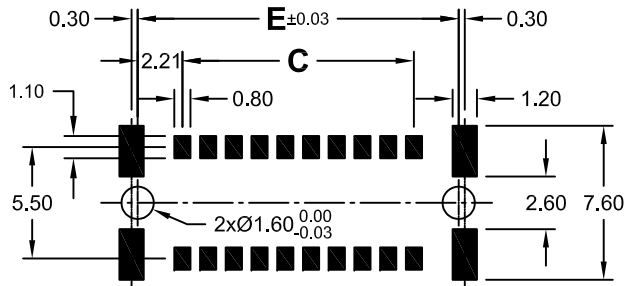
Order Code
MBC-xxx-QMV82-xx/11E

Plating
95 = Tin/Gold flash
9L5 = Tin/ 3µ" Gold
96 = Tin/10µ" Gold
97 = Tin/15µ" Gold
98 = Tin/30µ" Gold

PickUp Cap
 10-20 Pin 7.00
 26-100Pin 16.00



No. of Pins	Dimension mm				
	A	B	C	D	E
012	12,70	9,57	6,35	8,57	10,77
016	15,24	12,11	8,89	11,11	13,31
020	17,78	14,65	11,43	13,65	15,85
026	21,59	18,46	15,24	17,46	19,66
030	24,13	21,00	17,78	20,00	22,20
032	25,40	22,27	19,05	21,27	23,47
040	30,48	27,35	24,13	26,35	28,55
050	36,83	33,70	30,48	32,70	34,90
068	48,26	45,13	41,91	44,13	46,33
080	55,88	52,75	49,53	51,75	53,95
100	68,58	65,45	62,23	64,45	66,65



Recommended PCB Layout Top View
 (Tolerance ±0.05)



Specifications

Electrical
 Current rating: 0.5 ~ 1.0A
 Insulation resistance: 10000MΩ min.
 Contact resistance: 25mΩ max.
 Withstanding voltage: 500V

Material

Contact: Phosphor Bronze
 Plating: Tin on solder, Gold on contact area
 Insulator: LCP (black) UL 94V-0

Operating temperature: -55°C to +125°C
 Processing temperature: +260°C +0/-5°C for 5 seconds

Packing: Reel with PickUp Cap

E-tec 2018 © - all rights reserved



UNIT mm	GENERAL TOLERANCE		DRAWN Ronny	DATE 05.12.2013	DWG. NO. MBC-QMV82/11	SHEET 1/1
	SCALE Free	X° ±	X ±	CHECK Hogi	DATE 23.01.2019	REV. F
		.XX° ±	.XX ± 0.25	APPROVE Hogi	DATE 23.01.2019	SERIES NO. MBC-xxx-QMV82-xx/11E
		.XXX° ±	.XXX ±			

Multi BUS/Backplane Connector
Q-Type Male SMT vertical
 1.27mm pitch - height 8,20mm
compatible to ERNI INTERact® Series SMC Type