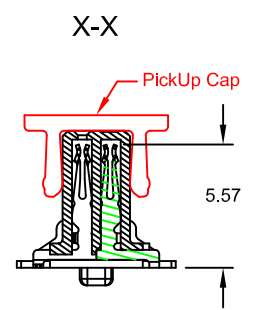
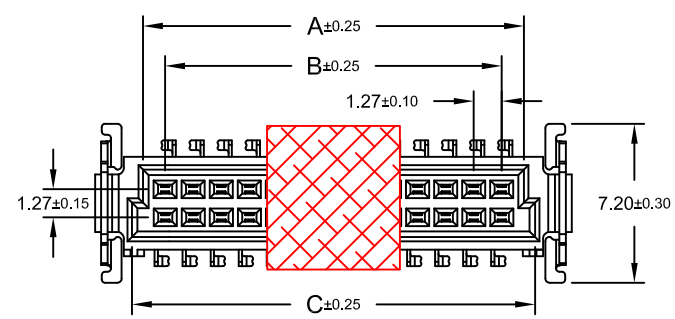


REV.	DESCRIPTION	DATE	DRAWN
A	NEW	05.12.2013	Ronny
B	add 60, 68 & 80 contact	14.03.2014	Ronny



**Order Code**  
MBC-xxx-BFV62-xx/11X

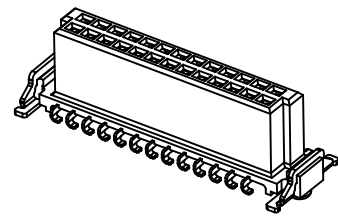
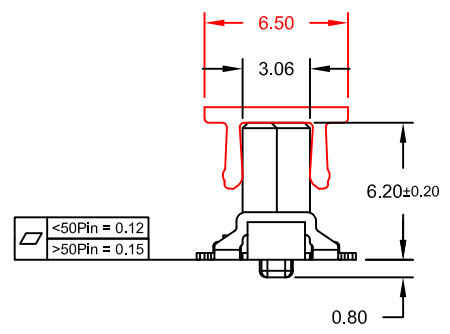
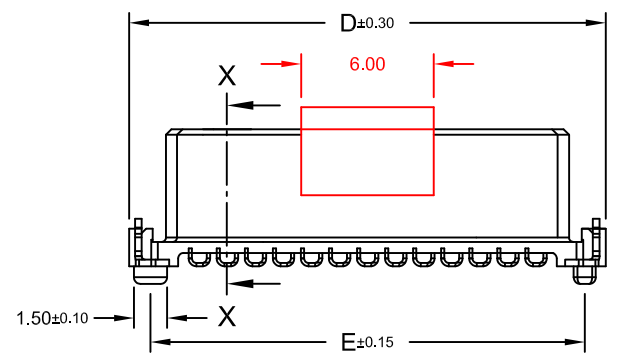
**Packing Options**

- C = tube
- D = tube and PickUp Cap
- E = reel and PickUp Cap

**Plating**

- 96 = tin / gold 5μ" (standard)
- Options:
- M95 = matte tin / gold flash
- 57 = gold flash / gold 10μ"

No. of Contact	Dimension mm				
	A	B	C	D	E
012	8,37	6,35	9,37	13,20	10,77
026	17,26	15,24	18,26	22,09	19,66
050	32,50	30,48	33,50	37,33	34,90
060	38,85	36,83	39,85	43,68	41,25
068	43,93	41,91	44,93	48,76	46,33
080	51,55	49,53	52,55	56,38	53,95



**Materials**

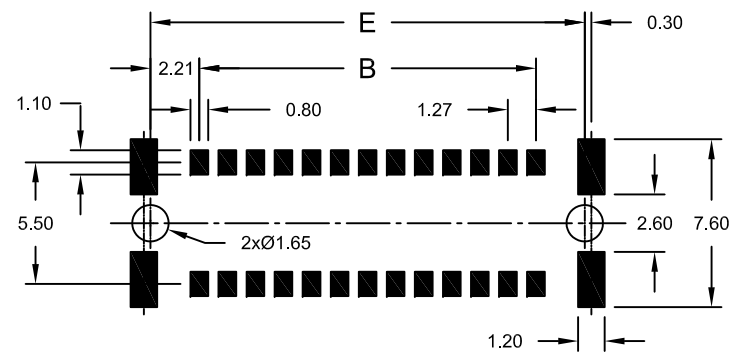
Contact: Copper Alloy  
 Plating: Gold, Tin or Duplex  
 \*Duplex = Gold plated on contact area, Tin on solder area  
 Insulator: LCP UL 94V-0 (Black)

Lifetime: >500 mating cycles

Operating temperature: -55°C to +125°C  
 Processing temperature: +260°C ca. 10 sec.

**Specifications Electrical**

Current rating per contact: min. 1.1A @20°C  
 Insulation resistance: 10.000MΩ min.  
 Withstanding voltage: 500V AC  
 Contact resistance: 30mΩ max.



Recommended PCB Layout  
Top View  
(Tolerance ±0.05)



UNIT mm	GENERAL TOLERANCE		DRAWN Ronny	DATE 06.12.2013	DWG. NO. MBC-BFV62/11	SHEET 1/1	
	SCALE Free	X° ±					X. ± 0.30
		.X° ±					.X ± 0.25
		.XX° ±					.XX ± 0.15
.XXX° ±		.XXX ± 0.10					
	CHECK Hogi	DATE 14.03.2014	APPROVE Hogi	DATE 14.03.2014	SERIES NO. MBC-xxx-BFV62-xx/11X	REV. B	

**Multi BUS/Backplane Connector**  
**B-Type Female SMT vertical**  
 1.27mm pitch height - 6,20mm  
*compatible to ERNI INTERact® Series SMC Type*