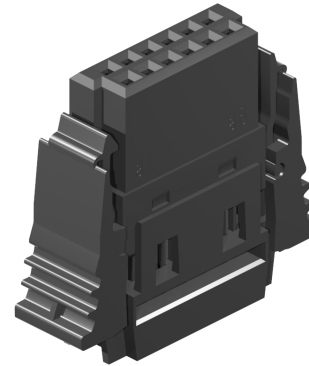
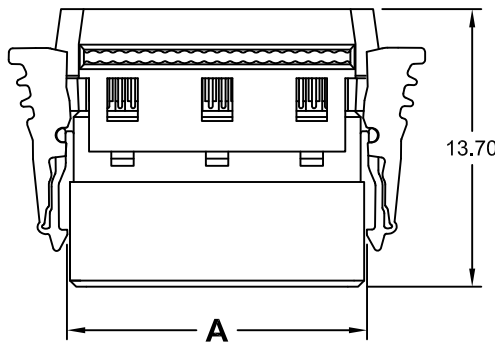


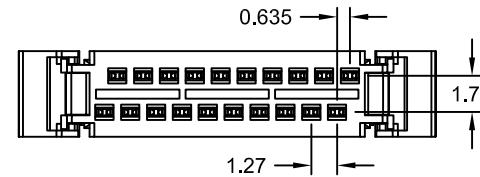
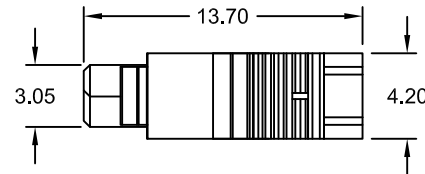
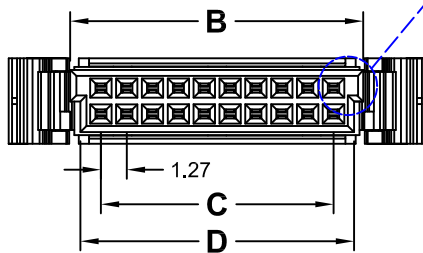
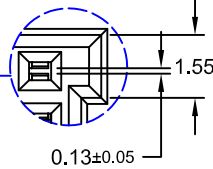
REV.	DESCRIPTION	DATE	DRAWN
A	New	13.03.2018	Cherry
B	0.80 --> 0.72; 12.20 --> 13.70; correct DIM F	13.09.2018	Cherry
C	general update	23.01.2019	Ronny



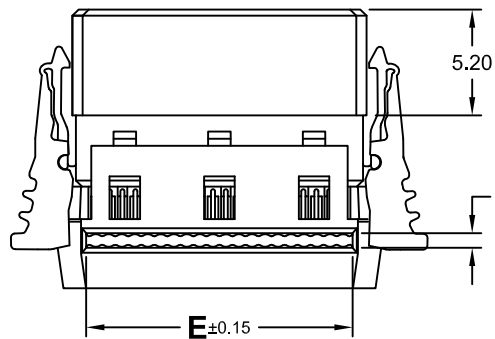
**Order Code**  
**MBC-xxx-BIC52-xx/11L**

**Plating**

- 95 = Tin/Gold flash
- 9L5 = Tin/ 3μ" Gold
- 96 = Tin/10μ" Gold
- 97 = Tin/15μ" Gold
- 98 = Tin/30μ" Gold



No. of Contacts	Dimension mm				
	A	B	C	D	E
010	8,17	8,10	5,08	7,10	6,59
012	9,44	9,37	6,35	8,37	7,86
016	11,98	11,91	8,89	10,91	10,40
020	14,52	14,45	11,43	13,45	12,94
026	18,33	18,26	15,24	17,26	16,75
030	20,87	20,80	17,78	19,80	19,29
032	22,14	22,07	19,05	21,07	20,56
040	27,22	27,15	24,13	26,15	25,64
050	33,57	33,50	30,48	32,50	31,99
068	45,00	44,93	41,91	43,93	43,42
080	52,62	52,55	49,53	51,55	51,04



**Material**

Contact: Phosphor Bronze  
 Plating: Tin on solder, Gold on contact area  
 Insulator: LCP (black) UL 94V-0

Operating temperature: -55°C to +125°C  
 Processing temperature: +260°C +0/-5°C for 5 seconds

**Packing:** Tray

**Specifications**

**Electrical**

Current rating: 0.5 ~ 1.0A  
 Insulation resistance: 10000MΩ min.  
 Contact resistance: 25mΩ max.  
 Withstanding voltage: 500V

E-tec 2018 © - all rights reserved



UNIT mm	GENERAL TOLERANCE		DRAWN Ronny	DATE 03.05.2017	DWG. NO. MBC-BIC52/11	SHEET 1/1				
	SCALE Free	X° ±					X ±	CHECK Hogi	DATE 23.01.2019	REV. C
		.XX° ±					.XX ± 0.25			
		.XXX° ±					.XXX ±			
APPROVE Hogi		DATE 23.01.2019	SERIES NO. MBC-xxx-BIC52-xx/11L							

**Multi BUS/Backplane Connector**  
**Female -IDC- Plug**  
 1.27mm pitch - height 5,20mm  
*compatible to ERNI INTERact® Series SMC Type*