

## D-SUB & I/O CONNECTORS

# INDEX



Part-Number	Page	Part-Number	Page	Part-Number	Page
DVD-2424-NDD9-xx/BS	85a	SDD-0909-x-95-FMN	52	SDD-2500-2-95-FNJ	50
DVD-2424-NDD9-xx/BSJ	85a	SDD-0909-x-95-FMNJ	52	SDD-2500-2-95-MN	50
DVD-2424-NDD9-xx/WS	85a	SDD-0909-x-95-FMS	52	SDD-2500-2-95-MNJ	50
DVD-2424-NDD9-xx/WSJ	85a	SDD-0909-x-95-FMSJ	52	SDD-2509-2-95-F	59
DVD-2929-NAD9-xx/BS	85a	SDD-0909-x-95-FMSN	52	SDD-2509-2-95-FJ	59
DVD-2929-NAD9-xx/BSJ	85a	SDD-0909-x-95-FMSNJ	52	SDD-2509-2-95-FM	60
DVD-2929-NAD9-xx/WS	85a	SDD-0909-x-95-FSN	51	SDD-2509-2-95-FMJ	60
DVD-2929-NAD9-xx/WSJ	85a	SDD-0909-x-95-FNJ	51	SDD-2509-2-95-FMN	60
DVF-024-NDD1-xx/BB	85	SDD-0909-x-95-FS	51	SDD-2509-2-95-FMNJ	60
DVF-024-NDD1-xx/BBJ	85	SDD-0909-x-95-FSJ	51	SDD-2509-2-95-FN	59
DVF-024-NDD1-xx/WB	85	SDD-0909-x-95-FSN	51	SDD-2509-2-95-FNJ	59
DVF-024-NDD1-xx/WBJ	85	SDD-0909-x-95-FSNJ	51	SDD-2509-2-95-M	59
DVF-024-NDD9-xx/BP	84	SDD-0909-x-95-M	51	SDD-2509-2-95-MF	60
DVF-024-NDD9-xx/BPJ	84	SDD-0909-x-95-MF	52	SDD-2509-2-95-MFJ	60
DVF-024-NDD9-xx/WP	84	SDD-0909-x-95-MFJ	52	SDD-2509-2-95-MFN	60
DVF-024-NDD9-xx/WPJ	84	SDD-0909-x-95-MFN	52	SDD-2509-2-95-MFNJ	60
DVF-029-NAD9-xx/BP	84	SDD-0909-x-95-MFNJ	52	SDD-2509-2-95-MJ	59
DVF-029-NAD9-xx/BPJ	84	SDD-0909-x-95-MFS	52	SDD-2509-2-95-MN	59
DVF-029-NAD9-xx/WP	84	SDD-0909-x-95-MFSJ	52	SDD-2509-2-95-MNJ	59
DVF-029-NAD9-xx/WPJ	84	SDD-0909-x-95-MFSN	52	SDD-2525-x-95-F	55
HMR-B19-SSK1-9x/X	94	SDD-0909-x-95-MFSNJ	52	SDD-2525-x-95-FJ	55
HMR-B19-SSL1-9x/X	94	SDD-0909-x-95-MJ	51	SDD-2525-x-95-FM	56
HMR-B19-SSM1-9x/X	<b>OBSOLETE</b> 95	SDD-0909-x-95-MN	51	SDD-2525-x-95-FMJ	56
HMR-B19-SWK1-9x/X	<b>OBSOLETE</b> 94	SDD-0909-x-95-MNJ	51	SDD-2525-x-95-FMN	56
HMR-B19-USM1-9x/X	<b>OBSOLETE</b> 95	SDD-0909-x-95-MS	51	SDD-2525-x-95-FMNJ	56
HSB-xxx-S101-00Z	71	SDD-0909-x-95-MSJ	51	SDD-2525-x-95-FMJ	56
HSB-xxx-S101-45Z	71	SDD-0909-x-95-MSN	51	SDD-2525-x-95-FMSJ	56
HSB-xxx-S102-00Z	71	SDD-0909-x-95-MSNJ	51	SDD-2525-x-95-FMSN	56
HSB-xxx-S102-45Z	71	SDD-0925-x-95-F	61	SDD-2525-x-95-FMSNJ	56
HSC-xxx-S101-00Z	71	SDD-0925-x-95-FJ	61	SDD-2525-x-95-FN	55
HSC-xxx-S101-45Z	71	SDD-0925-x-95-FN	61	SDD-2525-x-95-FNJ	55
HSC-xxx-S102-00Z	71	SDD-0925-x-95-FNJ	61	SDD-2525-x-95-FS	55
HSC-xxx-S102-45Z	71	SDD-09H15-x-95-F	64	SDD-2525-x-95-FSJ	55
HSG-xxx-S101-00Z	71	SDD-09H15-x-95-FJ	64	SDD-2525-x-95-FSN	55
HSG-xxx-S101-45Z	71	SDD-09H15-4-95-FM	63	SDD-2525-x-95-FSNJ	55
HSG-xxx-S102-00Z	71	SDD-09H15-4-95-FMJ	63	SDD-2525-x-95-M	55
HSG-xxx-S102-45Z	71	SDD-09H15-4-95-FMN	63	SDD-2525-x-95-MF	56
HSM-xxx-S101-00Z	71	SDD-09H15-4-95-FMNJ	63	SDD-2525-x-95-MFJ	56
HSM-xxx-S101-0RZ	71	SDD-09H15-x-95-FN	64	SDD-2525-x-95-MFN	56
HSM-xxx-S101-90Z	71	SDD-09H15-x-95-FNJ	64	SDD-2525-x-95-MFNJ	56
HSM-xxx-S101-9RZ	71	SDD-09H15-x-95-MF	64	SDD-2525-x-95-MFS	56
HSM-xxx-S102-00Z	71	SDD-09H15-x-95-MFJ	64	SDD-2525-x-95-MFSJ	56
HSM-xxx-S102-0RZ	71	SDD-09H15-x-95-MFN	64	SDD-2525-x-95-MFSN	56
HSM-xxx-S102-90Z	71	SDD-09H15-x-95-MFNJ	64	SDD-2525-x-95-MFSNJ	56
HSM-xxx-S102-9RZ	71	SDD-1515-x-95-F	53	SDD-2525-x-95-MJ	55
IES-B04-RIO1-95	81	SDD-1515-x-95-FJ	53	SDD-2525-x-95-MN	55
IES-B04-RIR1-95	81	SDD-1515-x-95-FM	54	SDD-2525-x-95-MNJ	55
IES-B04-SIO1-95	81	SDD-1515-x-95-FMJ	54	SDD-2525-x-95-MS	55
IES-B06-RIF1-95	80	SDD-1515-x-95-FMN	54	SDD-2525-x-95-MSJ	55
IES-B06-SIF1-95	80	SDD-1515-x-95-FMNJ	54	SDD-2525-x-95-MSN	55
IES-B06-VIF1-95	80	SDD-1515-x-95-FMS	54	SDD-2525-x-95-MSNJ	55
IES-W06-RIF1-95	80	SDD-1515-x-95-FMSJ	54	SDD-2599-2-95-FM	68
IES-W06-SIF1-95	80	SDD-1515-x-95-FMSN	54	SDD-2599-2-95-FMJ	68
IES-W06-VIF1-95	80	SDD-1515-x-95-FMSNJ	54	SDD-2599-2-95-FMN	68
JLP-440-T106-NN	70	SDD-1515-x-95-FN	53	SDD-2599-2-95-FMNJ	68
JSR-xxx-Txxx-NN	70	SDD-1515-x-95-FNJ	53	SDD-259H15-4-95-FMF	68
MDJ-606-DKxx-95	90	SDD-1515-x-95-FS	53	SDD-259H15-4-95-FMFJ	68
MDJ-606-DSxx-95	90	SDD-1515-x-95-FSJ	53	SDD-259H15-4-95-FMFN	68
MDJ-xxx-RF01-95	88	SDD-1515-x-95-FSN	53	SDD-259H15-4-95-FMFNJ	68
MDJ-xxx-RF22-95	88	SDD-1515-x-95-FSNJ	53	SDD-25H15-4-95-F	63
MDJ-xxx-RKLS/x-95	89	SDD-1515-x-95-M	53	SDD-25H15-4-95-FJ	63
MDJ-xxx-RKLT/x-95	89	SDD-1515-x-95-MF	54	SDD-25H15-4-95-FN	63
MDJ-xxx-RN01-AGZ	87	SDD-1515-x-95-MFJ	54	SDD-25H15-4-95-FNJ	63
MDJ-xxx-RS01-AGZ	88	SDD-1515-x-95-MFN	54	SDD-25L15-2-95-F	62
MDJ-xxx-SN01-AGZ	91	SDD-1515-x-95-MFNJ	54	SDD-25L15-2-95-FJ	62
MDJ-xxx-SS01-AGZ	91	SDD-1515-x-95-MFS	54	SDD-25L15-2-95-FN	62
MDP-xxx-FA01-AGZ	92	SDD-1515-x-95-MFSJ	54	SDD-25L15-2-95-FNJ	62
MDP-xxx-MA01-AGZ	92	SDD-1515-x-95-MFSN	54	SDD-3737-x-95-F	57
MDP-xxx-MQ01-55	92	SDD-1515-x-95-MFSNJ	54	SDD-3737-x-95-FJ	57
SDD-0900-2-95-FN	49	SDD-1515-x-95-MJ	53	SDD-3737-x-95-FM	58
SDD-0900-2-95-FN	49	SDD-1515-x-95-MN	53	SDD-3737-x-95-FMJ	58
SDD-0900-2-95-MN	49	SDD-1515-x-95-MNJ	53	SDD-3737-x-95-FMN	58
SDD-0900-2-95-MNJ	49	SDD-1515-x-95-MS	53	SDD-3737-x-95-FMNJ	58
SDD-0909-x-95-F	51	SDD-1515-x-95-MSJ	53	SDD-3737-x-95-FMS	58
SDD-0909-x-95-FJ	51	SDD-1515-x-95-MSN	53	SDD-3737-x-95-FMSJ	58
SDD-0909-x-95-FM	52	SDD-1515-x-95-MSNJ	53	SDD-3737-x-95-FMSN	58
SDD-0909-x-95-FMJ	52	SDD-2500-2-95-FN	50	SDD-3737-x-95-FMSNJ	58

# INDEX



Part-Number	Page	Part-Number	Page	Part-Number	Page
SDD-3737-x-95-MFS	58	SDF-025-US91-95/N	9	SDM-015-N900-95/N	26
SDD-3737-x-95-MFSJ	58	SDF-025-US91-95/SN	9	SDM-xxx-N901-55/HX	23b
SDD-3737-x-95-MFSN	58	SDF-037-N900-95/C4	26	SDM-015-N900-95/NJ	26
SDD-3737-x-95-MFSNJ	58	SDF-037-N900-95/C4J	26	SDM-025-N900-95/C4	26
SDD-3737-x-95-MJ	57	SDF-037-N900-95/H	26	SDM-025-N900-95/C4J	26
SDD-3737-x-95-MN	57	SDF-037-N900-95/HJ	26	SDM-025-N900-95/H	26
SDD-3737-x-95-MNJ	57	SDF-037-N900-95/N	26	SDM-037-N900-95/HJ	26
SDD-3737-x-95-MS	57	SDF-037-N900-95/NJ	26	SDM-025-N900-95/N	26
SDD-3737-x-95-MSJ	57	SDF-xxx-B111-95/BR	20	SDM-025-N900-95/NJ	26
SDD-3737-x-95-MSN	57	SDF-xxx-B111-95/BRJ	20	SDM-037-N900-95/C4	26
SDD-3737-x-95-MSNJ	57	SDF-xxx-B111-95/FBRx	42	SDM-037-N900-95/C4J	26
SDD-H1500-2-95-FN	67	SDF-xxx-B111-95/FBRxJ	42	SDM-037-N900-95/H	26
SDD-H1500-2-95-FNJ	67	SDF-xxx-B111-95/FBRxJ	46	SDM-037-N900-95/HJ	26
SDD-H1509-6-95-F	63a	SDF-xxx-B111-95/FT	42	SDM-037-N900-95/N	26
SDD-H1509-6-95-FJ	63a	SDF-xxx-B111-95/FT0	42	SDM-037-N900-95/NJ	26
SDD-H1509-6-95-FN	63a	SDF-xxx-B111-95/FTJ	42	SDM-xxx-B111-95/BR	21
SDD-H1509-6-95-FNJ	63a	SDF-xxx-B111-95/T	20	SDM-xxx-B111-95/BRJ	21
SDD-H1509-7-95-MF	63a	SDF-xxx-B111-95/T0	20	SDM-xxx-B111-95/FBRx	43
SDD-H1509-7-95-MFJ	63a	SDF-xxx-B111-95/TJ	20	SDM-xxx-B111-95/FBRxJ	43
SDD-H1509-7-95-MFN	63a	SDF-xxx-L900-95/L	28	SDM-xxx-B111-95/FT	43
SDD-H1509-7-95-MFNJ	63a	SDF-xxx-L900-95/LJ	28	SDM-xxx-B111-95/FT0	43
SDD-H15H15-4-95-F	65	SDF-xxx-L900-95/P	28	SDM-xxx-B111-95/FTJ	43
SDD-H15H15-4-95-FJ	65	SDF-xxx-L900-95/PJ	28	SDM-xxx-B111-95/T	21
SDD-H15H15-x-95-FM	65	SDF-xxx-M900-55/H	27	SDM-xxx-B111-95/T0	21
SDD-H15H15-x-95-FMJ	65	SDF-xxx-M900-55/HJ	27	SDM-xxx-B111-95/TJ	21
SDD-H15H15-x-95-FMN	65	SDF-xxx-M900-55/N	27	SDM-xxx-L900-95/L	28
SDD-H15H15-x-95-FMNJ	65	SDF-xxx-M900-55/NJ	27	SDM-xxx-L900-95/LJ	28
SDD-H15H15-4-95-FN	65	SDF-xxx-N900-55/A1T	22	SDM-xxx-L900-95/P	28
SDD-H15H15-4-95-FNJ	65	SDF-xxx-N900-55/A1TJ	22	SDM-xxx-L900-95/PJ	28
SDD-H26H26-x-95-F	66	SDF-xxx-N900-55/A2T	22	SDM-xxx-M900-55/H	27
SDD-H26H26-x-95-FJ	66	SDF-xxx-N900-55/A2TJ	22	SDM-xxx-M900-55/HJ	27
SDD-H26H26-x-95-FM	66	SDF-xxx-N901-55/HX	23a	SDM-xxx-M900-55/N	27
SDD-H26H26-x-95-FMJ	66	SDF-xxx-P150-95/P	30	SDM-xxx-M900-55/NJ	27
SDD-H26H26-x-95-FMN	66	SDF-xxx-S101-95/T	15	SDM-xxx-N900-55/A1T	22
SDD-H26H26-x-95-FMNJ	66	SDF-xxx-S101-95/T0	15	SDM-xxx-N900-55/A1TJ	22
SDD-H26H26-x-95-FN	66	SDF-xxx-S111-95/BR	18	SDM-xxx-N900-55/A2T	22
SDD-H26H26-x-95-FNJ	66	SDF-xxx-S111-95/BRJ	18	SDM-xxx-N900-55/A2TJ	22
SDD-H44H44-x-95-F	67	SDF-xxx-S111-95/BW	18	SDM-xxx-P150-95/P	30
SDD-H44H44-x-95-FJ	67	SDF-xxx-S111-95/BWJ	18	SDM-xxx-S101-95/T	15
SDD-H44H44-x-95-FN	67	SDF-xxx-S111-95/FBR	40	SDM-xxx-S101-95/T0	15
SDD-H44H44-x-95-FNJ	67	SDF-xxx-S111-95/FBRJ	40	SDM-xxx-S111-95/BR	19
SDD-L1525-2-95-F	62	SDF-xxx-S111-95/FT	40	SDM-xxx-S111-95/BRJ	19
SDD-L1525-2-95-FJ	62	SDF-xxx-S111-95/FT0	40	SDM-xxx-S111-95/BW	19
SDD-L1525-2-95-FN	62	SDF-xxx-S111-95/FTJ	40	SDM-xxx-S111-95/BWJ	19
SDD-L1525-2-95-FNJ	62	SDF-xxx-S111-95/T	18	SDM-xxx-S111-95/FBR	41
SDF-009-N900-95/C4	26	SDF-xxx-S111-95/T0	18	SDM-xxx-S111-95/FBRJ	41
SDF-009-N900-95/C4J	26	SDF-xxx-S111-95/TJ	18	SDM-xxx-S111-95/FT	41
SDF-009-N900-95/H	26	SDF-xxx-T900-55/A1T	22	SDM-xxx-S111-95/FT0	41
SDF-009-N900-95/HJ	26	SDF-xxx-T900-55/A1TJ	22	SDM-xxx-S111-95/FTJ	41
SDF-009-N900-95/N	26	SDF-xxx-T900-55/A2T	22	SDM-xxx-S111-95/T	19
SDF-009-N900-95/NJ	26	SDF-xxx-T900-55/A2TJ	22	SDM-xxx-S111-95/T0	19
SDF-009-US91-95/N	8	SDF-xxx-T970-95/H1N	24	SDM-xxx-S111-95/TJ	19
SDF-009-US91-95/SN	8	SDF-xxx-T970-95/H1NJ	24	SDM-xxx-T900-55/A1T	22
SDF-015-N900-95/C4	26	SDF-xxx-T970-95/H2N	24	SDM-xxx-T900-55/A1TJ	22
SDF-015-N900-95/C4J	26	SDF-xxx-T970-95/H2NJ	24	SDM-xxx-T900-55/A2T	22
SDF-015-N900-95/H	26	SDM-009-N900-95/C4	26	SDM-xxx-T900-55/A2TJ	22
SDF-015-N900-95/HJ	26	SDM-009-N900-95/C4J	26	SDM-xxx-T970-95/H1N	25
SDF-015-N900-95/N	26	SDM-009-N900-95/H	26	SDM-xxx-T970-95/H1NJ	25
SDF-015-N900-95/NJ	26	SDM-009-N900-95/H1N	23	SDM-xxx-T970-95/H2N	25
SDF-015-N900-95/YC4	26	SDM-009-N900-95/H1NJ	23	SDM-xxx-T970-95/H2NJ	25
SDF-015-N900-95/YC4J	26	SDM-009-N900-95/H2N	23	SDP-2599-2-95-FM	68
SDF-015-N900-95/YH	26	SDM-009-N900-95/H2NJ	23	SDP-2599-2-95-FMJ	68
SDF-015-N900-95/YHJ	26	SDM-009-N900-95/HJ	26	SDP-2599-2-95-FMN	68
SDF-015-N900-95/YHJ	26	SDM-009-N900-95/HJ	26	SDP-2599-2-95-FMNJ	68
SDF-015-N900-95/YNJ	26	SDM-009-N900-95/N	26	SDP-2599-2-95-FMF	68
SDF-015-US91-95/N	8	SDM-009-N900-95/NJ	26	SDP-2599-2-95-FMFJ	68
SDF-015-US91-95/SN	8	SDM-009-N900-95/TC4	26	SDP-2599-2-95-FMFJ	68
SDF-025-N900-95/BC4	26	SDM-009-N900-95/TC4J	26	SDP-2599-2-95-FMFN	68
SDF-025-N900-95/BC4J	26	SDM-009-N900-95/TH	26	SDP-2599-2-95-FMFNJ	68
SDF-025-N900-95/BH	26	SDM-009-N900-95/THJ	26	SFF-xxx-L900-95/L	45
SDF-025-N900-95/BHJ	26	SDM-009-N900-95/TN	26	SFF-xxx-L900-95/LJ	45
SDF-025-N900-95/BNJ	26	SDM-009-N900-95/TNJ	26	SFF-xxx-L900-95/P	45
SDF-025-N900-95/C4	26	SDM-009-US91-95/N	9	SFF-xxx-L900-95/PJ	45
SDF-025-N900-95/C4J	26	SDM-009-US91-95/SN	9	SFF-xxx-N900-95/H	44
SDF-025-N900-95/H	26	SDM-015-N900-95/C4	26	SFF-xxx-N900-95/HJ	44
SDF-025-N900-95/HJ	26	SDM-015-N900-95/C4J	26	SFF-xxx-N900-95/N	44
SDF-025-N900-95/N	26	SDM-015-N900-95/H	26	SFF-xxx-N900-95/NJ	44
SDF-025-N900-95/NJ	26	SDM-015-N900-95/HJ	26		

Part-Number	Page	Part-Number	Page	Part-Number	Page
SDM-xxx-T900-55/A2T	22	SHF-xxx-S111-95/BR	32	ULS-W04-RAS0-95	74
SDM-xxx-T900-55/A2TJ	22	SHF-xxx-S111-95/BRJ	32	ULS-W04-RBS0-95	78
SDM-xxx-T970-95/H1N	25	SHF-xxx-S111-95/BW	32	ULS-W04-SAS0-95	74
SDM-xxx-T970-95/H1NJ	25	SHF-xxx-S111-95/BWJ	32	UMS-B04-SAS0-95	OBSOLETE 79
SDM-xxx-T970-95/H2N	25	SHF-xxx-S111-95/T	32	UMS-B04-SBS0-95	OBSOLETE 79
SDM-xxx-T970-95/H2NJ	25	SHF-xxx-S111-95/TJ	32	UMS-B04-SBS2-98	OBSOLETE 79
SDP-2599-2-95-FM	68	SHF-xxx-S111-95/TO	32	UMS-B05-SB21-95	79
SDP-2599-2-95-FMJ	68	SHM-xxx-B111-55/BR	35	UNS-B05-SKB21-58/R	79a
SDP-2599-2-95-FMN	68	SHM-xxx-B111-55/BRJ	35	UNS-B05-SKB2L-58/R	79a
SDP-2599-2-95-FMNX	68	SHM-xxx-B111-55/T	35	UNS-B05-SKB2P-58/R	79a
SDP-259H15-4-95-FMF	68	SHM-xxx-B111-55/T0	35	UNS-B05-SWB2W-56/R	79a
SDP-259H15-4-95-FMFJ	68	SHM-xxx-B111-55/TJ	35	USC-xxxx-2AMBMB-BG/G	82
SDP-259H15-4-95-FMFN	68	SHM-xxx-B111-95/FBRx	46	USC-xxxx-4AMAM-CH/G	82
SDP-259H15-4-95-FMFNJ	68	SHM-xxx-B111-95/FBRxJ	46	USC-xxxx-4BMBM-CH/G	82
SFF-xxx-L900-95/L	45	SHM-xxx-B111-95/FT	46	USC-xxxx-4MIM-CH/G	82
SFF-xxx-L900-95/LJ	45	SHM-xxx-B111-95/FT0	46	USC-xxxx-5BMBM-CH/G	82
SFF-xxx-L900-95/P	45	SHM-xxx-B111-95/FTJ	46	USC-xxxx-AMAF-BG/G	82
SFF-xxx-L900-95/PJ	45	SHM-xxx-F900-55/FH	OBSOLETE 47	USC-xxxx-AMAM-BG/G	82
SFF-xxx-N900-95/H	44	SHM-xxx-F900-55/FHJ	OBSOLETE 47	USC-xxxx-BMBM-BG/G	82
SFF-xxx-N900-95/HJ	44	SHM-xxx-F900-55/FN	OBSOLETE 47	USC-xxxx-IM4IM-CH/B	82
SFF-xxx-N900-95/N	44	SHM-xxx-F900-55/FNJ	OBSOLETE 47	USC-xxxx-IMIM-CH/G	82
SFF-xxx-N900-95/NJ	44	SHM-xxx-F900-55/H	37	USP-B04-SA01-95	77
SFM-xxx-L900-95/L	45	SHM-xxx-F900-55/HJ	37	USP-B04-SA11-95	77
SFM-xxx-L900-95/LJ	45	SHM-xxx-F900-55/N	37	USP-B04-SA21-95	77
SFM-xxx-L900-95/P	45	SHM-xxx-F900-55/NJ	37	USP-B04-SA31-95	77
SFM-xxx-L900-95/PJ	45	SHM-xxx-S101-95/T	36	USS-B04-RA01-95	74
SFM-xxx-N900-95/H	44	SHM-xxx-S101-95/T0	36	USS-B04-RA02-95	75
SFM-xxx-N900-95/HJ	44	SHM-xxx-S111-95/BR	33	USS-B04-RB01-95	78
SFM-xxx-N900-95/N	44	SHM-xxx-S111-95/BRJ	33	USS-B04-SA01-95	74
SFM-xxx-N900-95/NJ	44	SHM-xxx-S111-95/BW	33	USS-B04-SB01-95	78
SHF-015-F900-95/VN	37	SHM-xxx-S111-95/BWJ	33	USS-B04-SBS0-95	78
SHF-015-F900-95/VNJ	37	SHM-xxx-S111-95/T	33	USS-B04-TA01-95	74
SHF-015-US98-95/N	10	SHM-xxx-S111-95/T0	33	USS-B04-TB01-95	78
SHF-015-US98-95/SN	10	SHM-xxx-S111-95/TJ	33	USS-B04-UB01-95	78
SHF-xxx-B111-95/BR	34	SKF-xxx-S201-95/T	16	USS-B04-VA01-95	74
SHF-xxx-B111-95/BRJ	34	SKF-xxx-S201-95/TO	16	USS-B08-TA02-95	75
SHF-xxx-B111-95/FBRx	OBSOLETE 46	SKF-xxx-S202-95/T	17	USS-B12-RA03-95	75
SHF-xxx-B111-95/FT	OBSOLETE 46	SKF-xxx-S202-95/TO	17	USS-BU09-RA31-98	76
SHF-xxx-B111-95/FT0	OBSOLETE 46	SKM-xxx-S201-95/T	16	USS-BU09-RAS31-98	76
SHF-xxx-B111-95/FTJ	OBSOLETE 46	SKM-xxx-S201-95/TO	16	USS-BU18-RA32-98	76
SHF-xxx-B111-95/T	34	SKM-xxx-S202-95/T	17	USS-W04-RA01-95	74
SHF-xxx-B111-95/T0	34	SKM-xxx-S202-95/TO	17	USS-W04-RA02-95	75
SHF-xxx-B111-95/TJ	34	SLO-xxx-T106-NN	70	USS-W04-RB01-95	78
SHF-xxx-F900-55/FH	OBSOLETE 47	SSF-015-HU98-95/N	13	USS-W04-SAS0-95	74
SHF-xxx-F900-55/FHJ	OBSOLETE 47	SSF-015-HU98-95/R	13	USS-W04-SB01-95	OBSOLETE 78
SHF-xxx-F900-55/FN	OBSOLETE 47	SSF-xxx-U908-95/N	11	USS-W04-SBS0-95	78
SHF-xxx-F900-55/FNJ	OBSOLETE 47	SSF-xxx-U908-95/R	11	USS-W04-TA01-95	74
SHF-xxx-F900-55/H	37	SSM-xxx-U908-95/N	12	USS-W04-TB01-95	78
SHF-xxx-F900-55/HJ	37	SSM-xxx-U908-95/R	12	USS-W04-UB01-95	78
SHF-xxx-F900-55/N	37	ULS-B04-RAS0-95	74	USS-W04-VA01-95	74
SHF-xxx-F900-55/NJ	37	ULS-B04-RBS0-95	78	USS-W08-TA02-95	75
SHF-xxx-S101-95/T	36	ULS-B04-SAS0-95	74	USS-W12-RA03-95	75
SHF-xxx-S101-95/TO	36	ULS-BU09-SAS31-98	76		

## General information concerning the E-tec interconnect products

### Specifications

The data contained in this catalog is of general nature and refers to standard products. For example, general tolerances +/- 0.25mm, a „Current rating“ at an ambient temperature of 25° C reflects the value per individual contact. Should you require any further data or test reports, you can obtain this information from your nearest E-tec sales office.

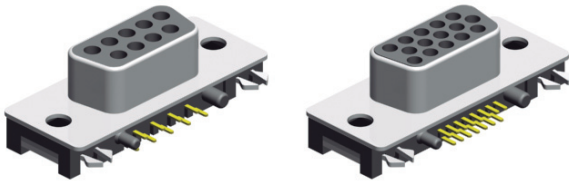
The E-tec connectors conform with signal integrity requirements at high data and frequency rates. However we cannot offer a general information about the max. frequency or data transmission rate. For such a statement, it would require more information about the chosen configuration and pin-out, the length of the cable and/or any other specific requirements regarding the application itself and its related signal integrity. E-tec SMT connectors, male or female, are offered with a coplanarity of max. 0,10mm. They are adapted to all modern SMT soldering processes and they can be handled easily with all currently existing placing techniques. Customers may choose between various packaging options, such as tray, tube and reel.

### GENERAL POLICY

All information contained in this catalog, including illustrations, specifications and dimensions are accurate to the best of our knowledge, and reflect the status as at the date of publication. Due to technical progress, it is subject to change without notice. Application information is informational in nature and shall not be construed to warrant suitability of products for any particular purpose as performance may vary depending on the conditions to which a product is subjected. Unless otherwise confirmed at the time of order, all E-tec products are non cancellable and non returnable items (NCNR). E-tec products are warranted for 30 days and the warranty is limited strictly to replacement of products. This warranty does not cover any claims for natural wear and tear, nor for any compensations, such as loss of production, loss of use, loss of orders, loss of profit, nor any other direct or indirect damages.

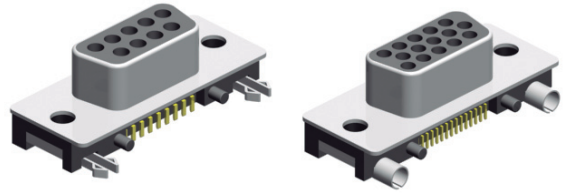
**ULTRA SLIM PROFILE**

Standard & HD right angle "solder tail"



Page 8, 9 & 10

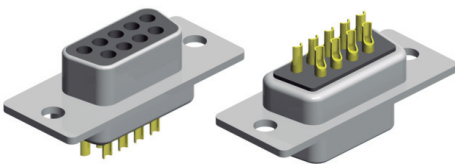
Standard & HD right angle "SMT"



Page 11, 12 & 13

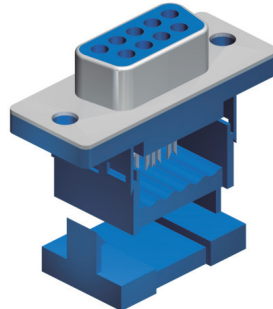
**STANDARD VERSION**

Hand Solder (solder cup) Type



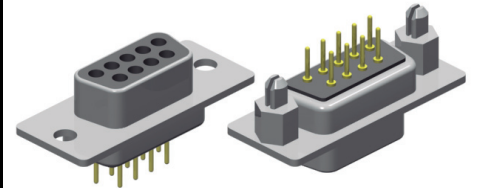
Page 15

IDC Type



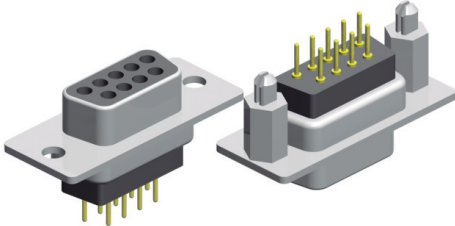
Page 16 & 17

Vertical Solder tail Type



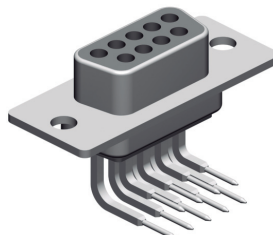
Page 18 & 19

Raised Vertical Solder tail Type



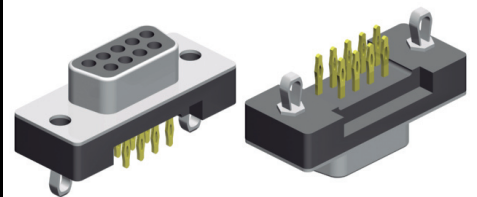
Page 20 & 21

Right Angle "open body" Type



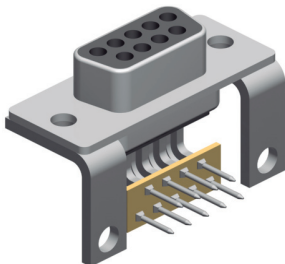
Page 22

Press Fit Type



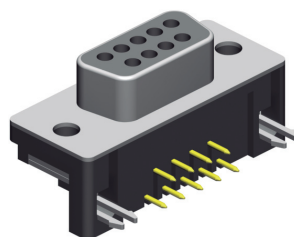
Page 30

Right Angle "open body" Type  
6.30mm & 7.30mm centre



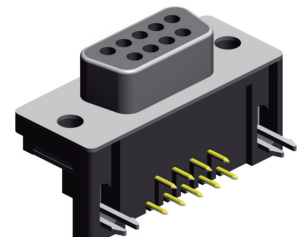
Page 23, 24 & 25

Right Angle "closed body" Type  
**US Style** Footprint 8.08mm



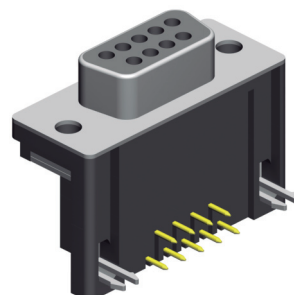
Page 26

Right Angle "closed body" Type  
**Euro Style** Footprint 9.40mm



Page 27

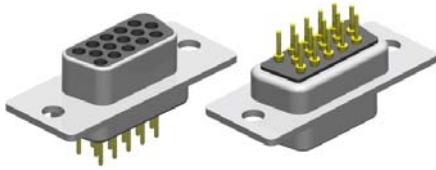
Right Angle "closed body" Type **Long Style** Footprint 15.00mm



Page 28

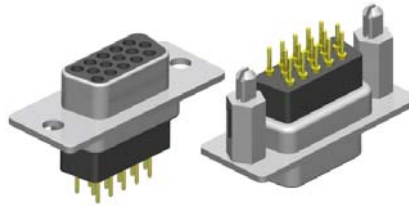
**HIGH DENSITY**

Vertical Solder-tail Type



Page 32 & 33

**Raised** Vertical Solder-tail Type



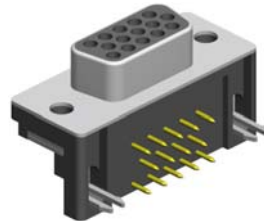
Page 34 & 35

Hand Solder (solder cup) Type



Page 36

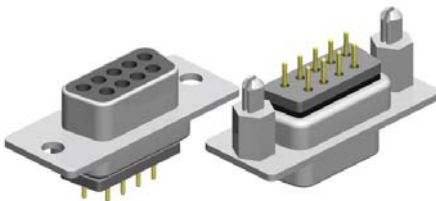
Right Angle "closed body" Type



Page 37

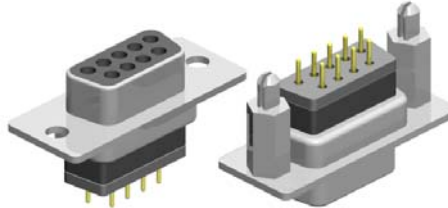
**D-SUB WITH FERRITE FILTER**

Vertical Solder-tail Type



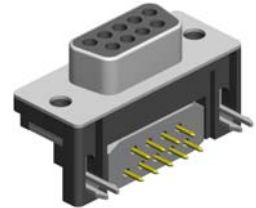
Page 40 & 41

**Raised** Vertical Solder-tail Type



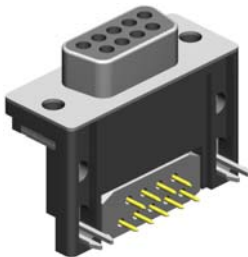
Page 42 & 43

Right Angle "closed body" Type  
**US Style** Footprint 8.08mm



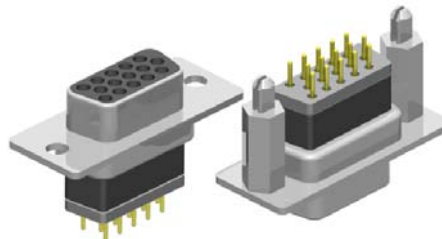
Page 44

Right Angle "closed body" Type  
**Long Style** Footprint 15.00mm



Page 45

**"High Density"**  
**Raised** Vertical Solder-tail Type



Page 46 **OBSOLETE**

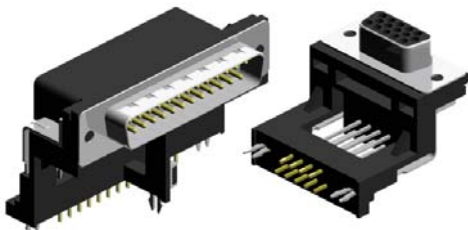
**"High Density"**  
Right Angle "closed body" Type



Page 47 **OBSOLETE**

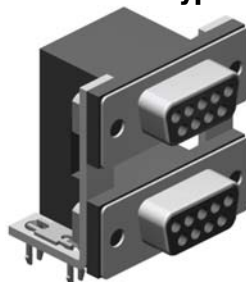
**Raised & MULTI PORT**

**Raised Type**



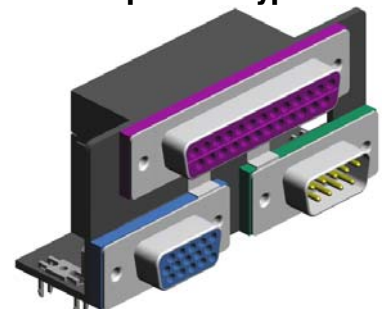
Page 49, 50 & 67

**Dual Port Type**



Page 51 to 67

**Triple Port Type**



Page 68

**D-SUB ACCESSORIES**

Jack Screws and Slide Locking System



Page 70

Hoods



Page 71

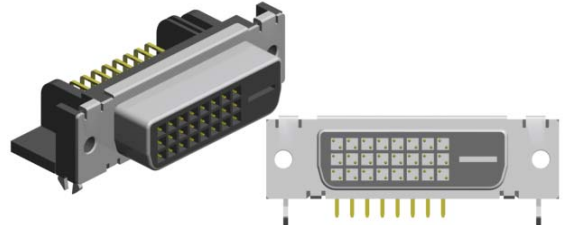
**DVI**

Analog & Digital 24+4-contact - Right Angle Type



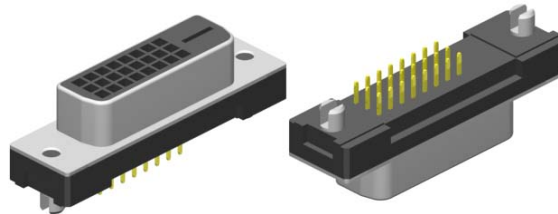
Page 84

Digital 24-contact - Right Angle Type



Page 84

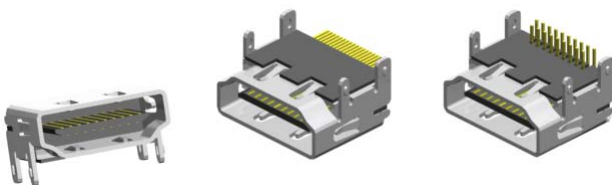
Digital 24-contact - Vertical Type



Page 85

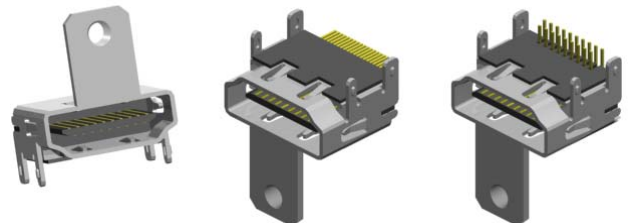
**HDMI**

SMT & Solder Tail without Mounting Flange



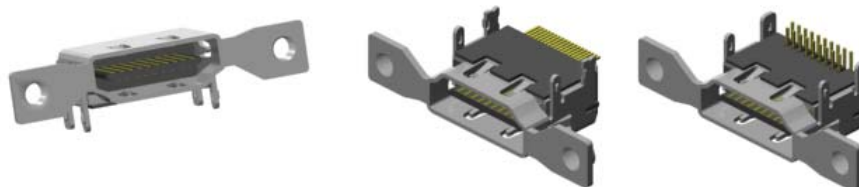
Page 94 & 95

SMT & Solder Tail with "top" Mounting Flange



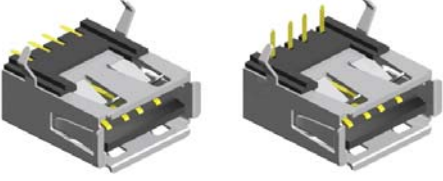
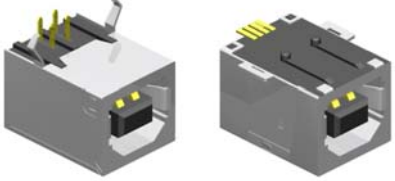

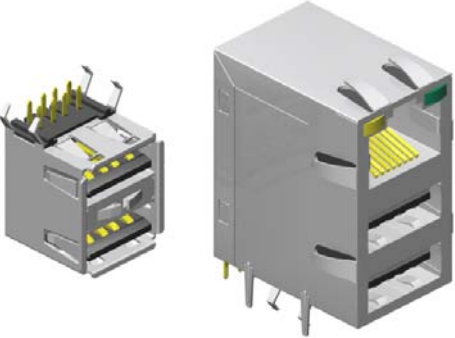
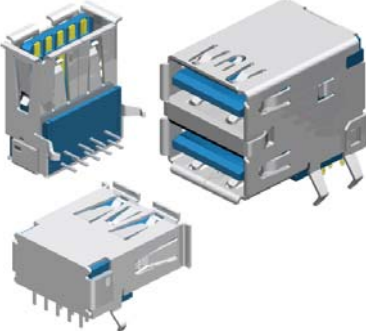

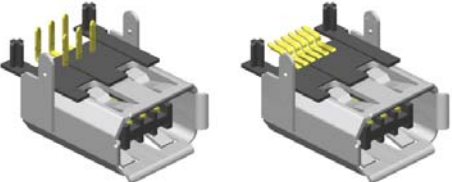
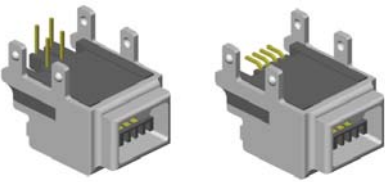

Page 94 & 95

SMT & Solder Tail with "wing" Mounting Flange



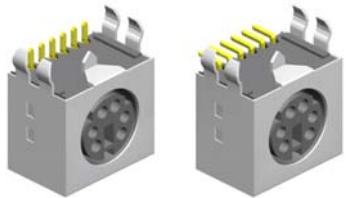
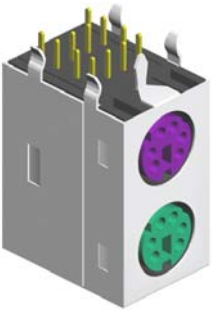
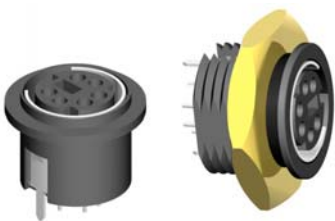



Page 96

**USB & IEEE 1394 CONNECTORS**

<p><b>USB Connector Type "A"</b></p>  <p><b>Page 74</b></p>	<p><b>USB Connector Type "B"</b></p>  <p><b>Page 78</b></p>	<p><b>Mini USB Connector Type "A" &amp; "B"</b></p>  <p><b>Page 79</b></p>
<p><b>Multi Port USB Connector Type "A"</b></p>  <p><b>Page 75</b></p>	<p><b>USB Connector 3.0 Type "A"</b></p>  <p><b>Page 76</b></p>	<p><b>USB Plug</b></p>  <p><b>Page 77</b></p>
<p><b>IEEE 1394 Connector 6-Contact Type</b></p>  <p><b>Page 80</b></p>	<p><b>IEEE 1394 Connector 4-Contact Type</b></p>  <p><b>Page 81</b></p>	<p><b>USB &amp; IEEE 1394 Connector Cable Assembly</b></p>  <p><b>Page 82</b></p>

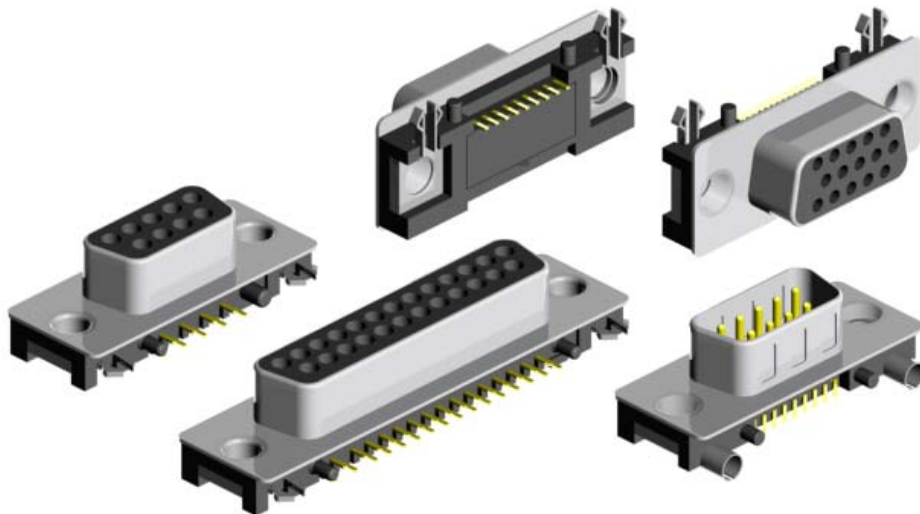
**MINI DIN CONNECTORS**

<p><b>Non Shielded Type</b></p>  <p><b>Page 87</b></p>	<p><b>Shielded Type</b></p>  <p><b>Page 88</b></p>	<p><b>Low Profile Type Solder-tail &amp; SMT</b></p>  <p><b>Page 89</b></p>
<p><b>Dual Port Type</b></p>  <p><b>Page 90</b></p>	<p><b>Straight &amp; Wall Mounting Type</b></p>  <p><b>Page 91</b></p>	<p><b>Plugs</b></p>  <p><b>Page 92</b></p>



# Ultra Slim Profile

## D-Sub



Ultra Slim Profile D-Sub Connectors are designed in order to save space on the PC-Boards.

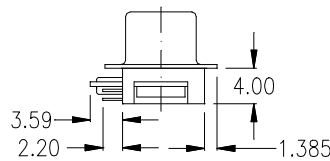
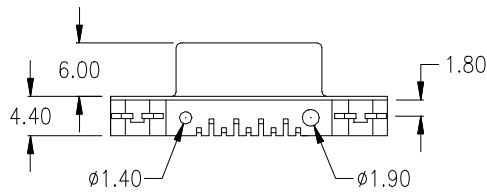
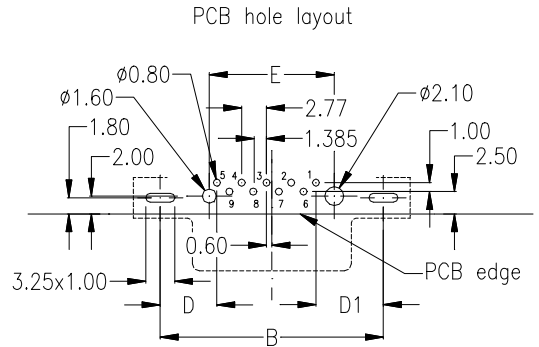
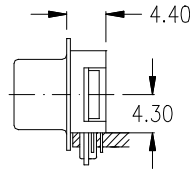
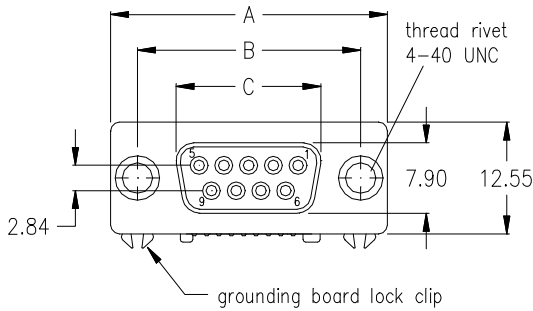
Standard and High Density versions for through hole “Wave Solder” and “Pin-In-Paste” Technology, as well as regular SMT types, right angle male and female are available.

SD Series - D-Sub 90°  
US91 Ultra Slim Profile

"Wave Solder" & "Pin-In-Paste" Technology



female



for technical & electrical specification please go to page 72

No. of contacts	Dimension					
	A	B	C	D	D1	E
009	30.81 1.213	24.99 .984	16.33 .643	6.36 .250	7.56 .298	14.00 .551

Ordering Code

for "Wave Solder" Technology

**SDF - 009 - US91 - 95 / N**

for "Pin-In-Paste" Technology

**SDF - 009 - US91 - 95 / SN**

Option:

Jack Screw has to be ordered separately.

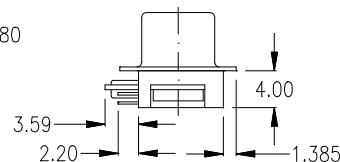
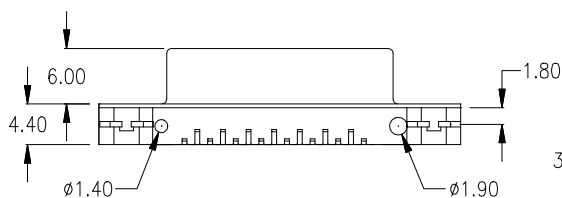
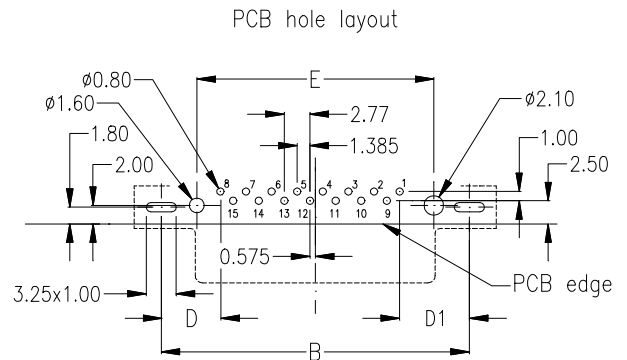
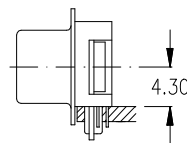
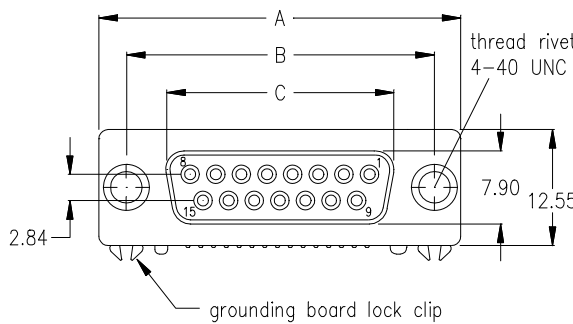
See page 70

Plating: -95= tin(leadfree)/gold

**Special product.**

**Please ask for availability and minimum order quantity before you consider the article for development, design in or production purposes.**

female



for technical & electrical specification please go to page 72

No. of contacts	Dimension					
	A	B	C	D	D1	E
015	39.14 1.541	33.32 1.312	24.66 .971	6.39 .252	7.54 .297	25.64 1.009

Ordering Code

for "Wave Solder" Technology

**SDF - 015 - US91 - 95 / N**

for "Pin-In-Paste" Technology

**SDF - 015 - US91 - 95 / SN**

Option:

Jack Screw has to be ordered separately.

See page 70

Plating: -95= tin(leadfree)/gold

**Special product.**

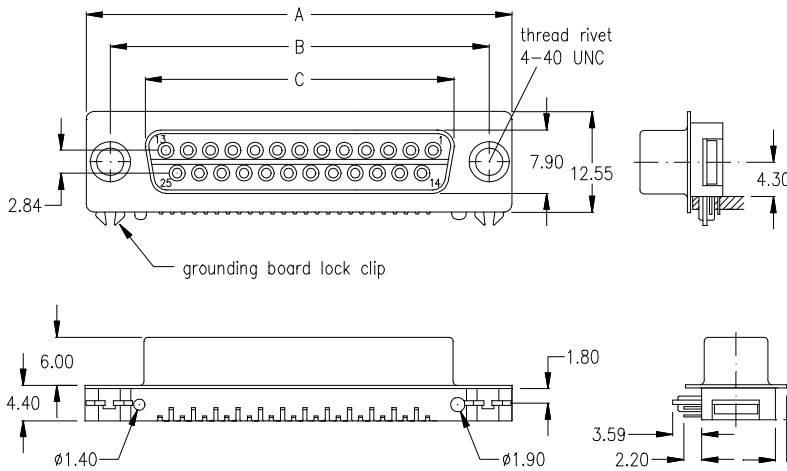
**Please ask for availability and minimum order quantity before you consider the article for development, design in or production purposes.**

# SD Series - D-Sub 90° US91 Ultra Slim Profile

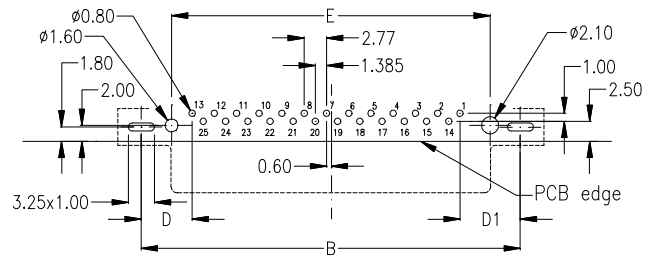
"Wave Solder" & "Pin-In-Paste" Technology



## female



PCB hole layout



**Special product.**  
Please ask for availability and minimum order quantity before you consider the article for development, design in or production purposes.

for technical & electrical specification please go to page 72

No. of contacts	Dimension					
	A	B	C	D	D1	E
<b>025</b>	53.04 2.088	47.04 1.852	38.38 1.511	6.30 .248	7.50 .295	39.54 1.557

### Ordering Code

for "Wave Solder" Technology

**SDF - 025 - US91 - 95 / N**

for "Pin-In-Paste" Technology

**SDF - 025 - US91 - 95 / SN**

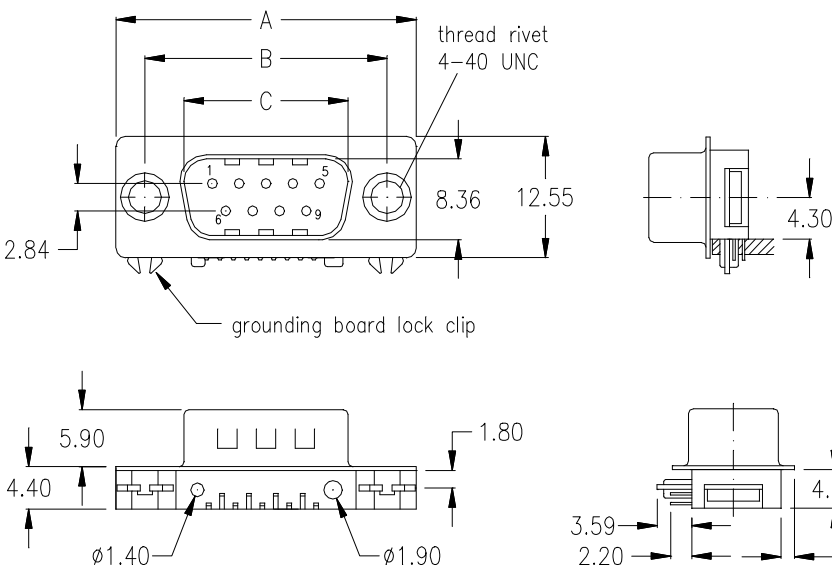
### Option:

Jack Screw has to be ordered separately.

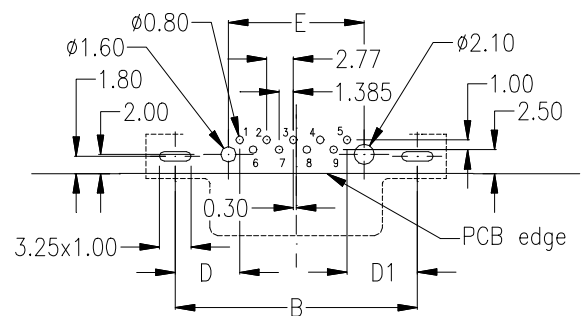
See page 70

Plating: -95= tin(leadfree)/gold

## male



PCB hole layout



**Special product.**  
Please ask for availability and minimum order quantity before you consider the article for development, design in or production purposes.

for technical & electrical specification please go to page 72

No. of contacts	Dimension					
	A	B	C	D	D1	E
<b>009</b>	30.81 1.213	24.99 .984	16.92 .666	6.66 .262	7.26 .286	14.00 .551

### Ordering Code

for "Wave Solder" Technology

**SDM - 009 - US91 - 95 / N**

for "Pin-In-Paste" Technology

**SDM - 009 - US91 - 95 / SN**

### Option:

Jack Screw has to be ordered separately.

See page 70

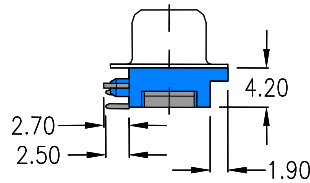
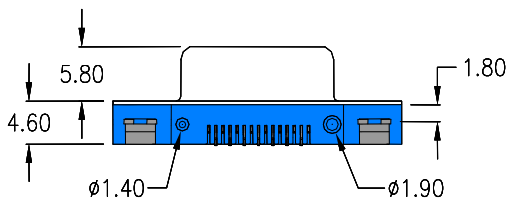
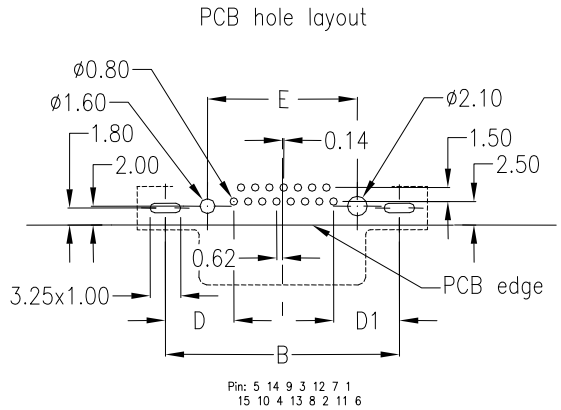
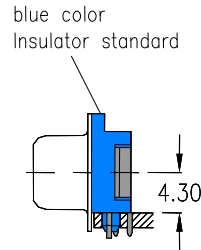
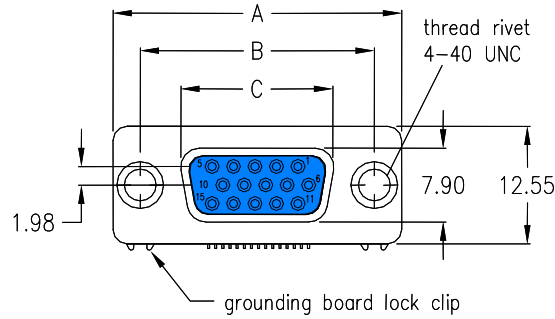
Plating: -95= tin(leadfree)/gold

# SH Series - High Density D-Sub 90° US98 Ultra Slim Profile

"Wave Solder" & "Pin-In-Paste" Technology



## female



for technical & electrical specification please go to page 72

No. of contacts	Dimension					
	A	B	C	D	D1	E
015	30.81	24.99	16.33	7.32	7.04	16.00
	1.213	.984	.643	.288	.277	.630

### Ordering Code

for "Wave Solder" Technology

**SHF - 015 - US98 - 95 / VN**

for "Pin-In-Paste" Technology

**SHF - 015 - US98 - 95 / VSN**

### Option:

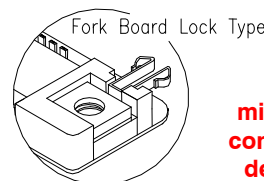
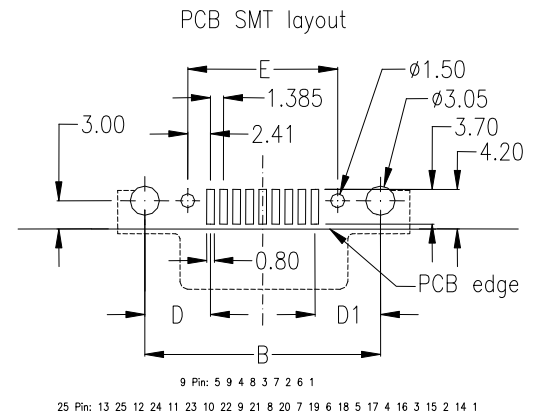
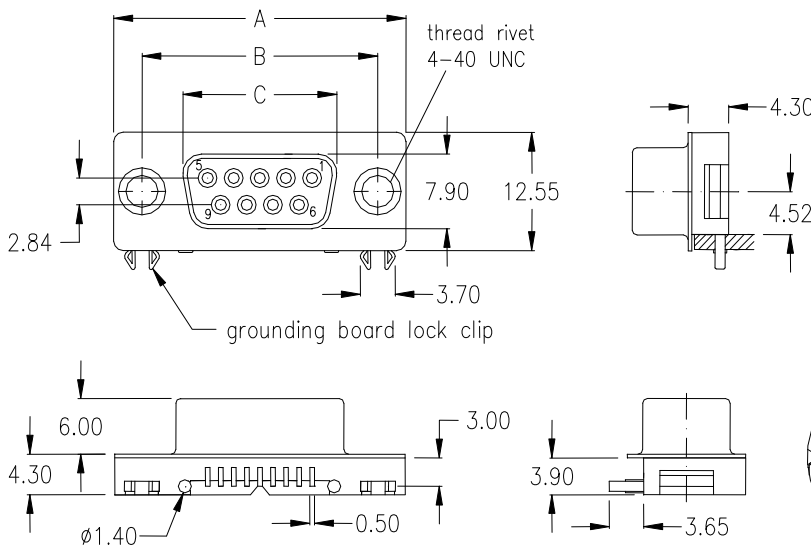
Jack Screw has to be ordered separately.

See page 70

Please ask for black color insulator availability

Plating: -95= tin(leadfree)/gold

**female** – with fork board lock type –



**Special product.**  
Please ask for availability and minimum order quantity before you consider the article for development, design in or production purposes.

for technical & electrical specification please go to page 72

No. of contacts	Dimension					
	A	B	C	D	D1	E
<b>009</b>	30.81 1.213	24.99 .984	16.33 .643	6.96 .274	6.96 .274	15.90 .626
<b>025</b>	53.04 2.088	47.04 1.852	38.38 1.511	6.90 .272	6.90 .272	38.06 1.498

**Ordering Code**

**SSF - xxx - U908 - 95 / N**

No. of contacts

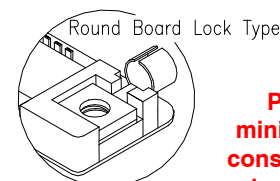
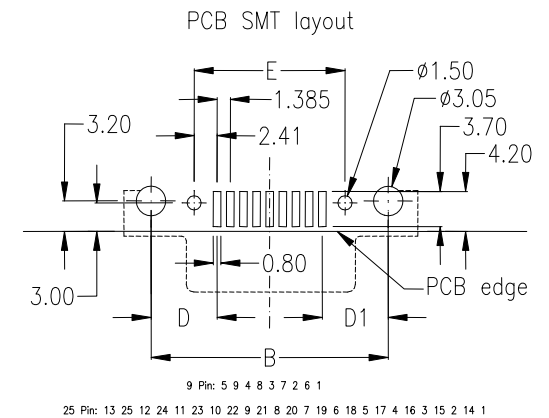
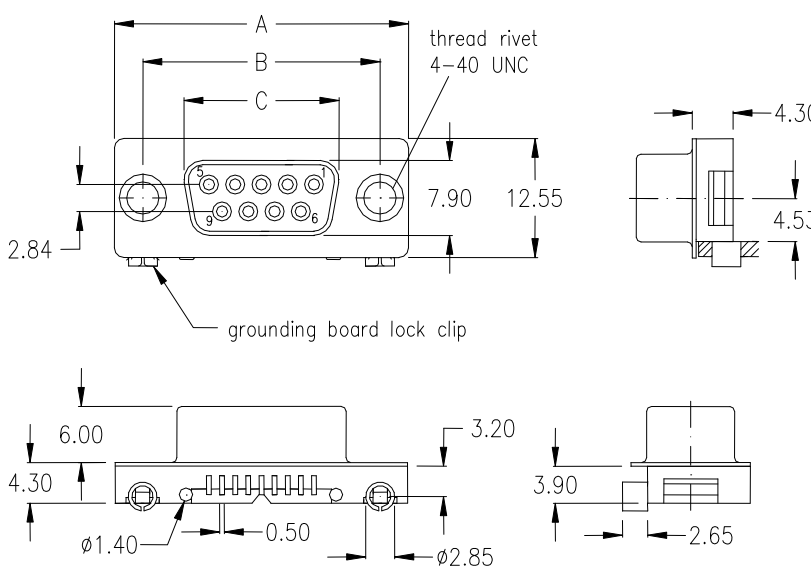
Plating: -95= tin(leadfree)/gold

**Option:**

Jack Screw has to be ordered separately.

See page 70

**female** – with round board lock type –



**Special product.**  
Please ask for availability and minimum order quantity before you consider the article for development, design in or production purposes.

for technical & electrical specification please go to page 72

No. of contacts	Dimension					
	A	B	C	D	D1	E
<b>009</b>	30.81 1.213	24.99 .984	16.33 .643	6.96 .274	6.96 .274	15.90 .626
<b>025</b>	53.04 2.088	47.04 1.852	38.38 1.511	6.90 .272	6.90 .272	38.06 1.498

**Ordering Code**

**SSF - xxx - U908 - 95 / R**

No. of contacts

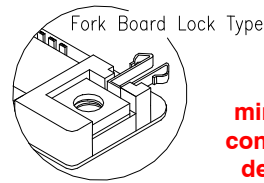
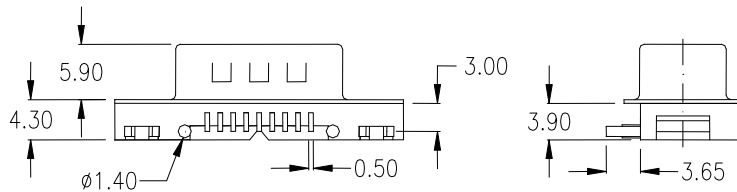
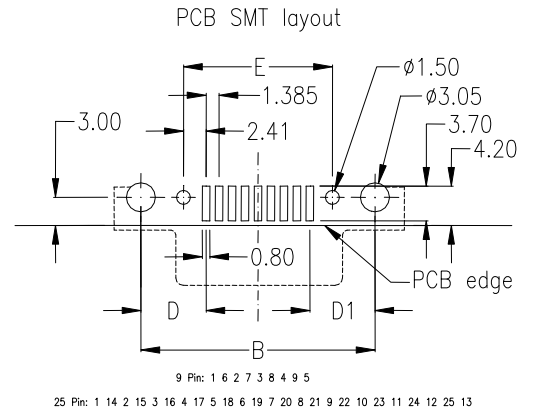
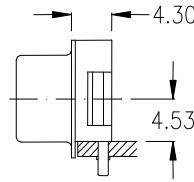
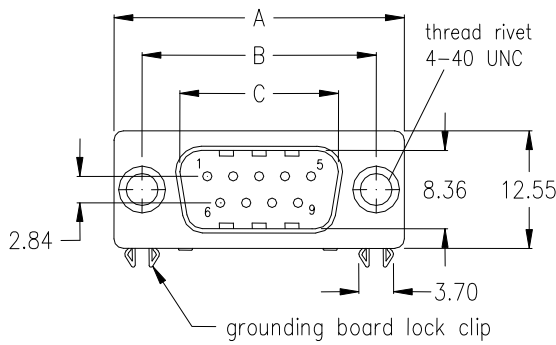
Plating: -95= tin(leadfree)/gold

**Option:**

Jack Screw has to be ordered separately.

See page 70

male - with fork board lock type -



**Special product.**  
Please ask for availability and minimum order quantity before you consider the article for development, design in or production purposes.

for technical & electrical specification please go to page 72

No. of contacts	Dimension					
	A	B	C	D	D1	E
009	30.81 1.213	24.99 .984	16.92 .666	6.96 .274	6.96 .274	15.90 .626
025	53.04 2.088	47.04 1.852	38.96 1.534	6.90 .272	6.90 .272	38.06 1.498

Ordering Code

SSM - xxx - U908 - 95 / N

No. of contacts

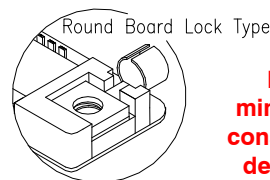
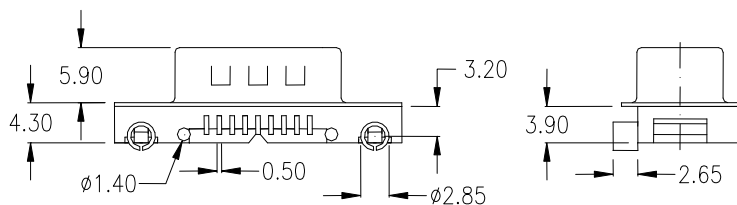
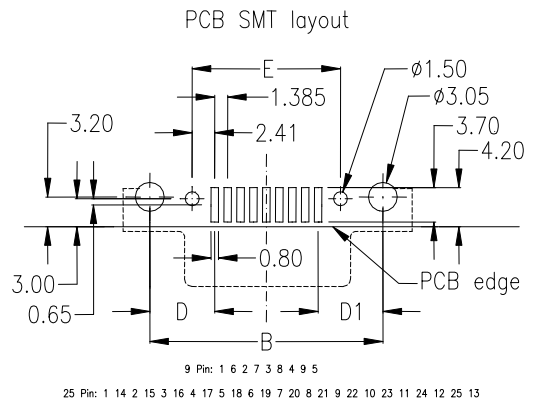
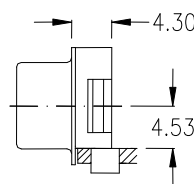
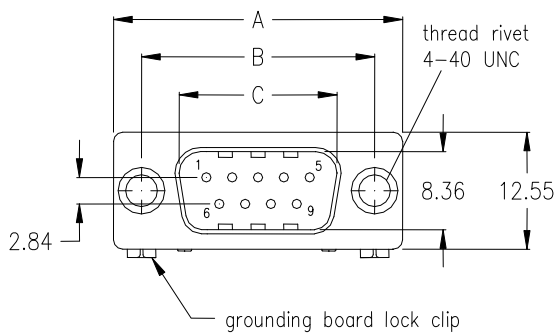
Plating: -95= tin(leadfree)/gold

Option:

Jack Screw has to be ordered separately.

See page 70

male - with round board lock type -



**Special product.**  
Please ask for availability and minimum order quantity before you consider the article for development, design in or production purposes.

for technical & electrical specification please go to page 72

No. of contacts	Dimension					
	A	B	C	D	D1	E
009	30.81 1.213	24.99 .984	16.92 .666	6.96 .274	6.96 .274	15.90 .626
025	53.04 2.088	47.04 1.852	38.96 1.534	6.90 .272	6.90 .272	38.06 1.498

Ordering Code

SSM - xxx - U908 - 95 / R

No. of contacts

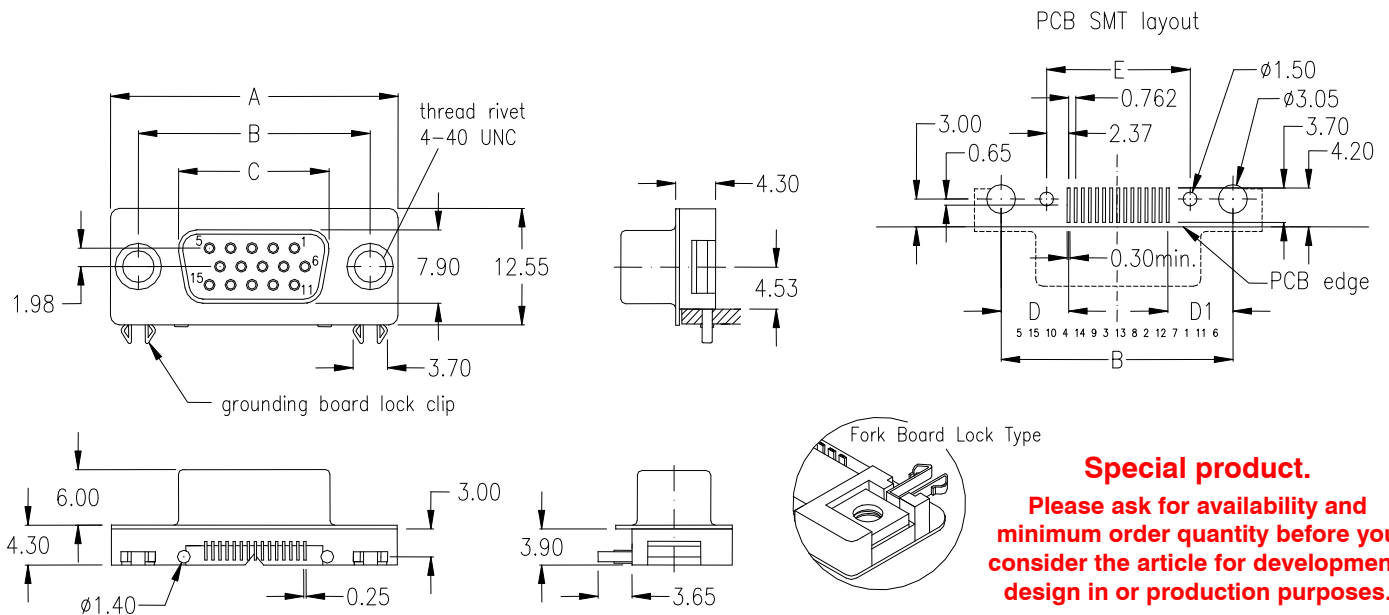
Plating: -95= tin(leadfree)/gold

Option:

Jack Screw has to be ordered separately.

See page 70

female – with fork board lock type –



for technical & electrical specification please go to page 72

No. of contacts	Dimension					
	A	B	C	D	D1	E
015	30.81 1.213	24.99 .984	16.33 .643	7.296 .287	7.026 .277	15.46 .609

Ordering Code

SSF - 015 - HU98 - 95 / N

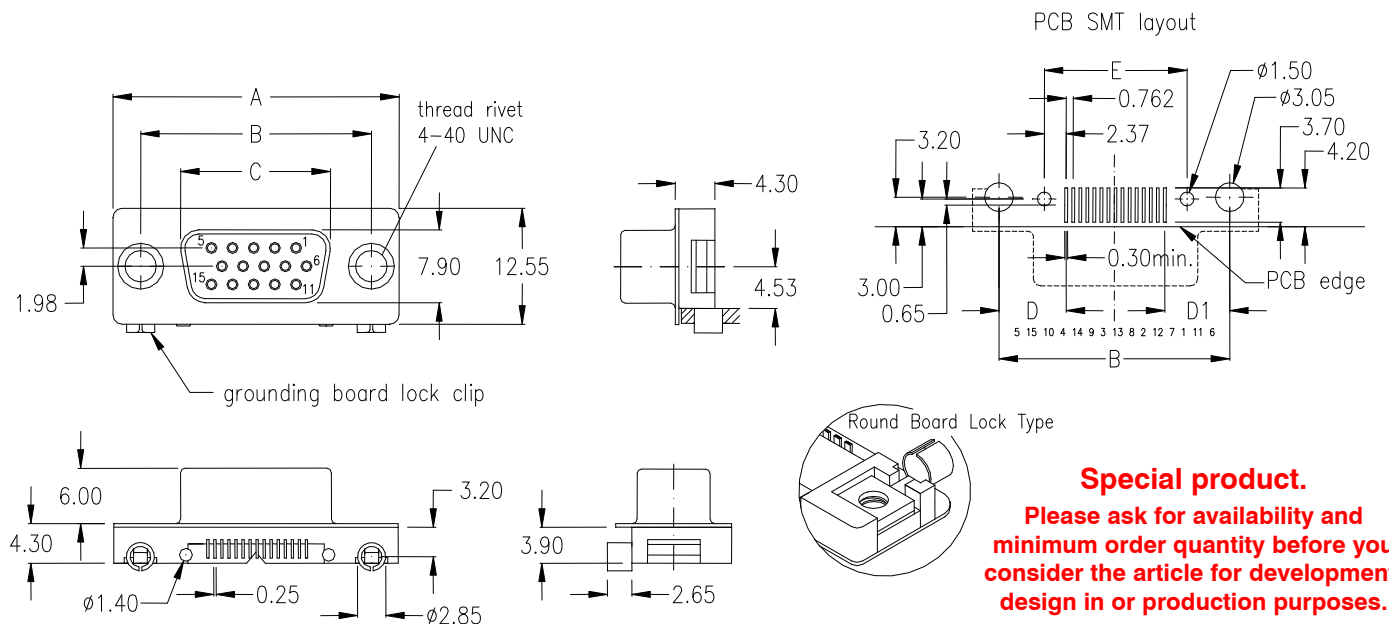
Option:

Jack Screw has to be ordered separately.

See page 70

Plating: -95= tin(leadfree)/gold

female – with round board lock type –



for technical & electrical specification please go to page 72

No. of contacts	Dimension					
	A	B	C	D	D1	E
015	30.81 1.213	24.99 .984	16.33 .643	7.296 .287	7.026 .277	15.46 .609

Ordering Code

SSF - 015 - HU98 - 95 / R

Option:

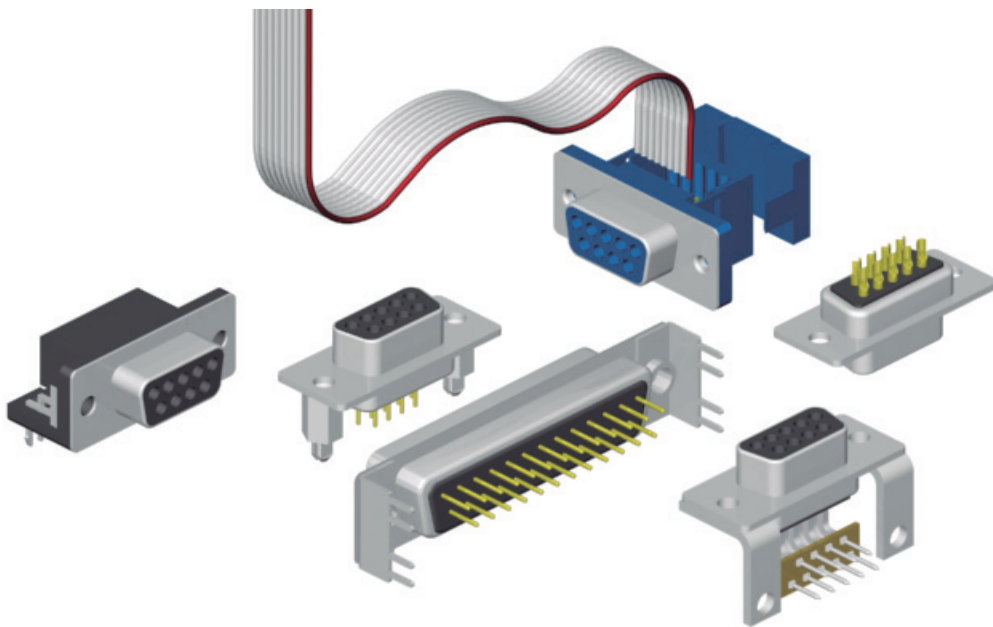
Jack Screw has to be ordered separately.

See page 70

Plating: -95= tin(leadfree)/gold

# Standard Version

## D-Sub



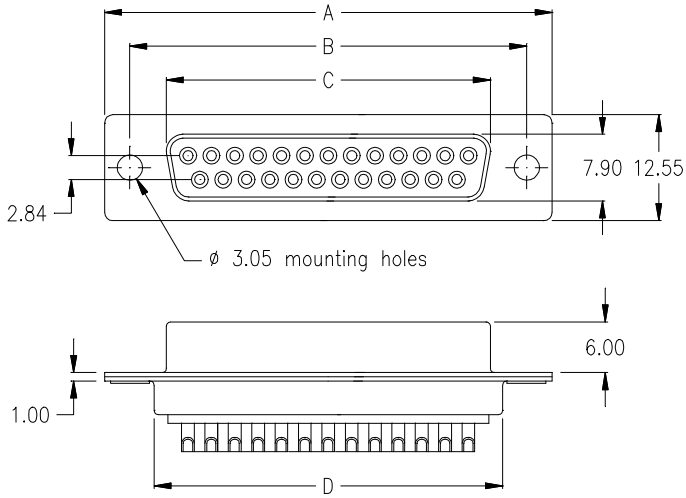
Our D-Sub Connectors conform to industrial specifications and are compatible with DIN 41 652 norms, IEC 48 B, HE 5 etc.....

They are compatible with all other D-Sub Connectors available on the market according to these specifications.

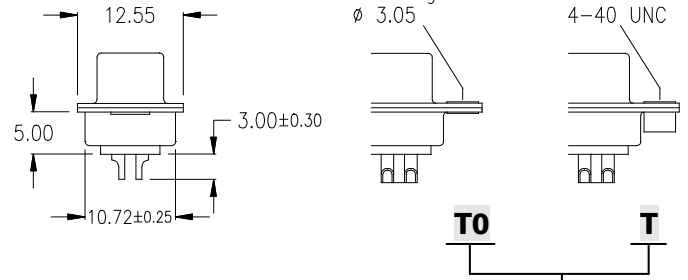
Together with a large variety of accessories, the D-Sub Connectors can be used in most applications, such as industrial electronics, data- and telecommunication and others more.



**female**



No. of contacts	Dimension			
	A	B	C	D
<b>009</b>	<u>30.81</u> 1.213	<u>24.99</u> .984	<u>16.33</u> .643	<u>19.28</u> .795
<b>015</b>	<u>39.14</u> 1.541	<u>33.32</u> 1.312	<u>24.66</u> .971	<u>27.51</u> 1.083
<b>025</b>	<u>53.04</u> 2.088	<u>47.04</u> 1.852	<u>38.38</u> 1.511	<u>41.30</u> 1.652
<b>037</b>	<u>69.32</u> 2.729	<u>63.50</u> 2.500	<u>54.84</u> 2.159	<u>57.40</u> 2.272



**Option:**

**Ordering Code**

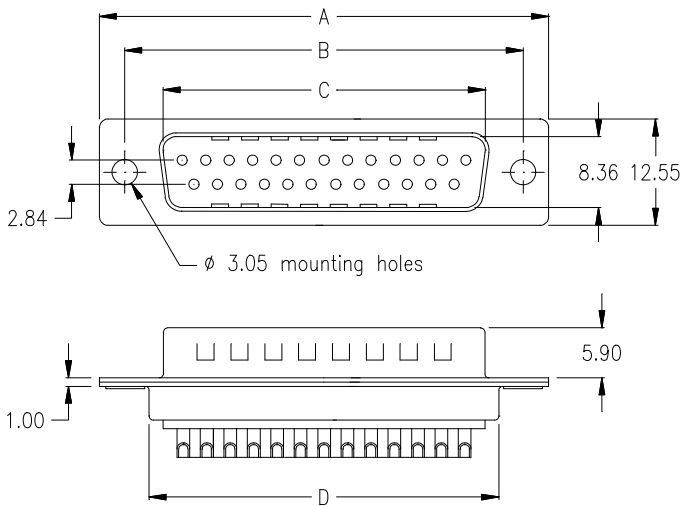
**SDF - xxx - S101 - 95 / XX**

No. of contacts      Option

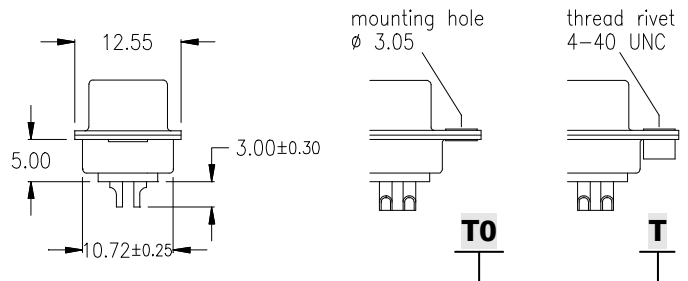
General Specification page 72

Plating: -95 = tin(leadfree)/gold

**male**



No. of contacts	Dimension			
	A	B	C	D
<b>009</b>	<u>30.81</u> 1.213	<u>24.99</u> .984	<u>16.92</u> .666	<u>19.28</u> .795
<b>015</b>	<u>39.14</u> 1.541	<u>33.32</u> 1.312	<u>25.25</u> .994	<u>27.51</u> 1.083
<b>025</b>	<u>53.04</u> 2.088	<u>47.04</u> 1.852	<u>38.96</u> 1.534	<u>41.30</u> 1.652
<b>037</b>	<u>69.32</u> 2.729	<u>63.50</u> 2.500	<u>55.42</u> 2.182	<u>57.40</u> 2.272



**Option:**

**Ordering Code**

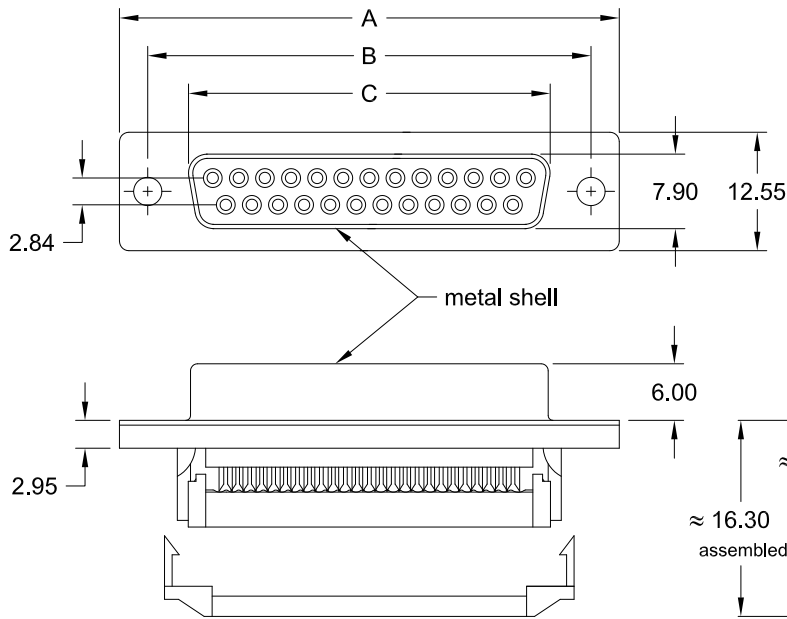
**SDM - xxx - S101 - 95 / XX**

No. of contacts      Option

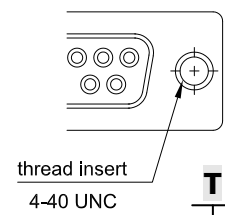
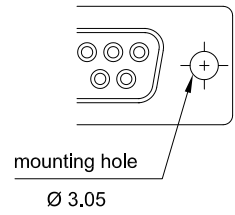
General Specification page 72

Plating: -95 = tin(leadfree)/gold

**female**



**Option:**



**T0**

**T**

No. of contacts	Dimension		
	A	B	C
<b>009</b>	30.81 1.213	24.99 .984	16.33 .643
<b>015</b>	39.14 1.541	33.32 1.312	24.66 .971
<b>025</b>	53.04 2.088	47.04 1.852	38.38 1.511
<b>037</b>	69.32 2.729	63.50 2.500	54.84 2.159

Plating: **-95** = tin(leadfree)/gold

General Specification page 72

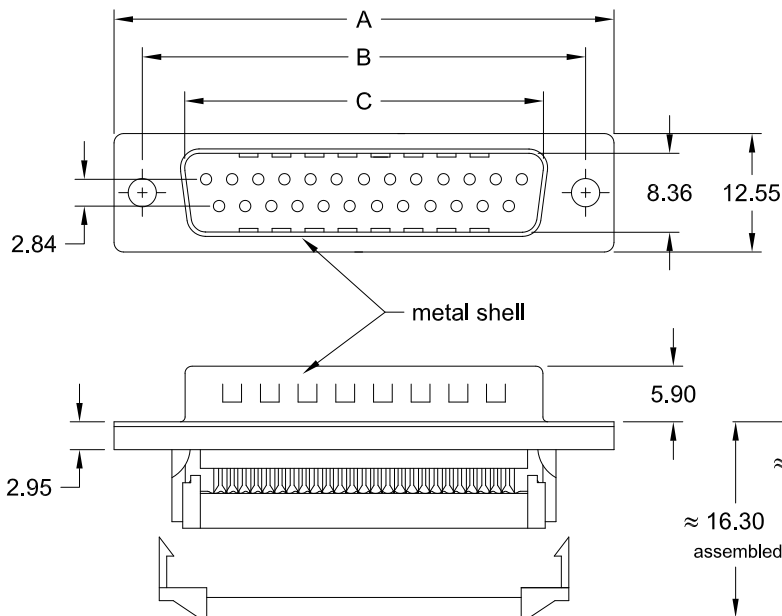
**Ordering Code**

**SKF - xxx - S201 - 95 / XX**

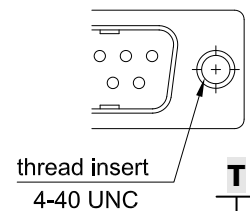
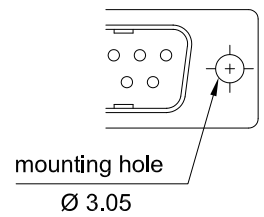
No. of contacts

Option

**male**



**Option:**



**T0**

**T**

No. of contacts	Dimension		
	A	B	C
<b>009</b>	30.81 1.213	24.99 .984	16.92 .666
<b>015</b>	39.14 1.541	33.32 1.312	25.25 .994
<b>025</b>	53.04 2.088	47.04 1.852	38.96 1.534
<b>037</b>	69.32 2.729	63.50 2.500	55.42 2.182

Plating: **-95** = tin(leadfree)/gold

General Specification page 72

**Ordering Code**

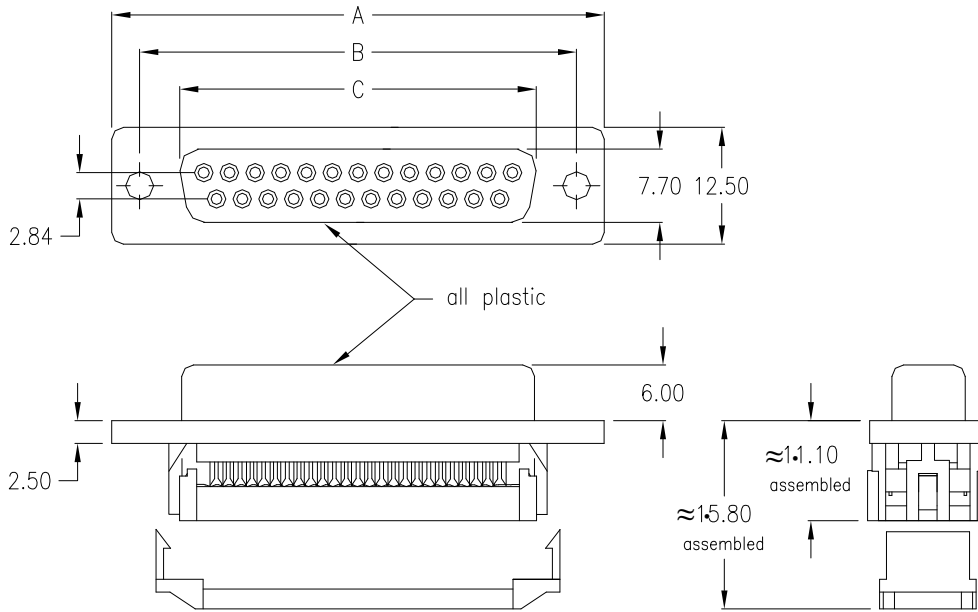
**SKM - xxx - S201 - 95 / XX**

No. of contacts

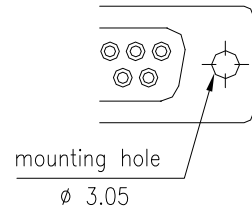
Option



**female**



**Option:**



**T0**

No. of contacts	Dimension		
	A	B	C
<b>009</b>	31.16 1.227	24.99 .984	16.00 .630
<b>015</b>	39.42 1.552	33.32 1.312	24.27 .955
<b>025</b>	53.34 2.100	47.04 1.852	38.22 1.505
<b>037</b>	69.68 2.743	63.50 2.500	54.65 2.152

Plating: **-95** = tin(leadfree)/gold

General Specification page 72

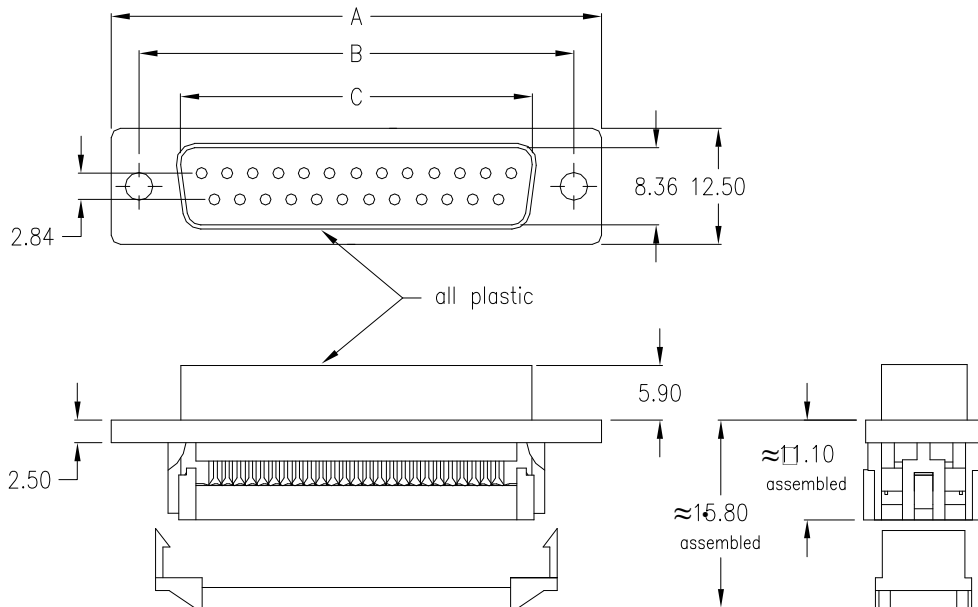
**Ordering Code**

**SKF - xxx - S202 - 95 / XX**

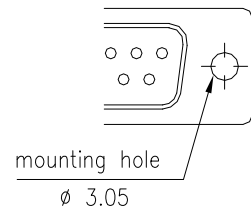
No. of contacts

Option

**male**



**Option:**



**T0**

No. of contacts	Dimension		
	A	B	C
<b>009</b>	30.81 1.213	24.99 .984	16.92 .666
<b>015</b>	39.14 1.541	33.32 1.312	25.25 .994
<b>025</b>	53.04 2.088	47.04 1.852	38.96 1.534
<b>037</b>	69.32 2.729	63.50 2.500	55.42 2.182

Plating: **-95** = tin(leadfree)/gold

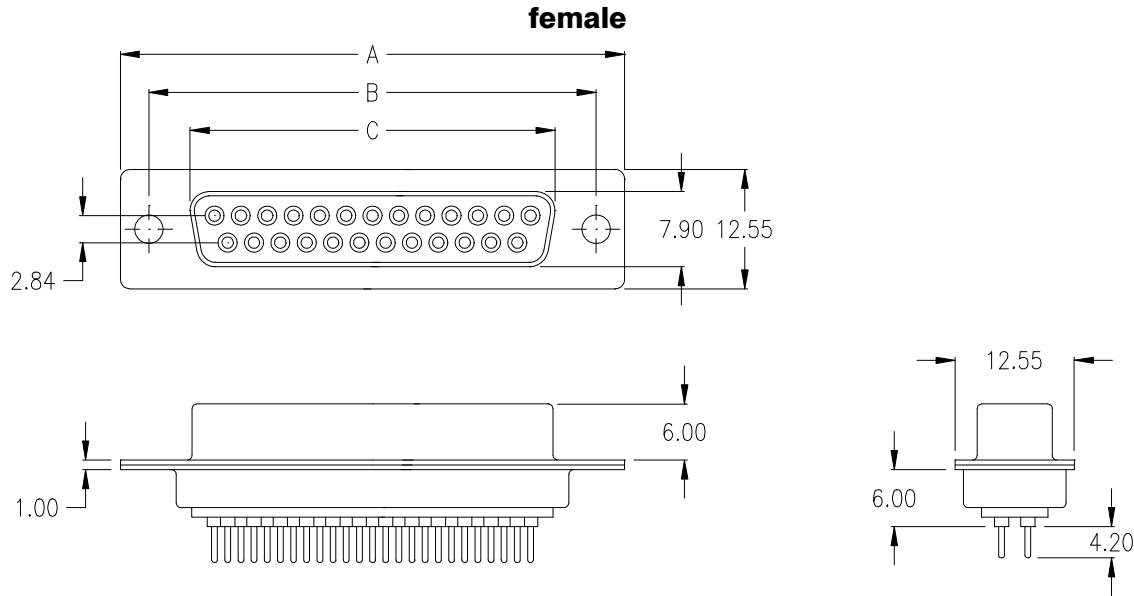
General Specification page 72

**Ordering Code**

**SKM - xxx - S202 - 95 / XX**

No. of contacts

Option



**Ordering Code**

**SDF - xxx - S111 - 95 / XXX**

No. of contacts

Option

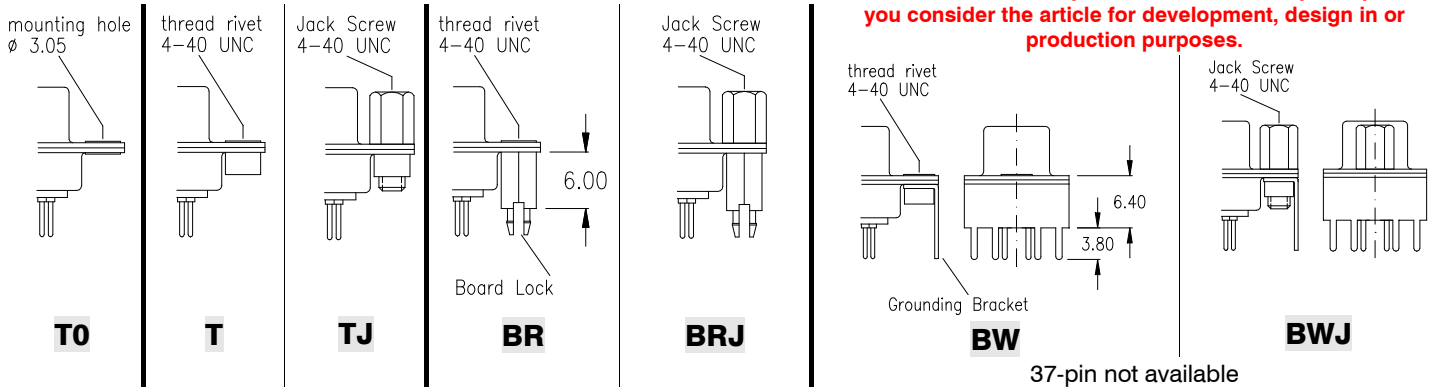
Plating: -95 = tin(leadfree)/gold

General Specification page 72

No. of contacts	Dimension		
	A	B	C
<b>009</b>	<u>30.81</u> 1.213	<u>24.99</u> .984	<u>16.33</u> .643
<b>015</b>	<u>39.14</u> 1.541	<u>33.32</u> 1.312	<u>24.66</u> .971
<b>025</b>	<u>53.04</u> 2.088	<u>47.04</u> 1.852	<u>38.38</u> 1.511
<b>037</b>	<u>69.32</u> 2.729	<u>63.50</u> 2.500	<u>54.84</u> 2.159

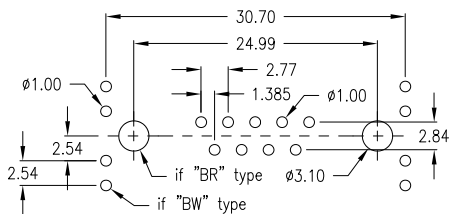
**Options**

**Special product.**  
Please ask for availability and minimum order quantity before you consider the article for development, design in or production purposes.

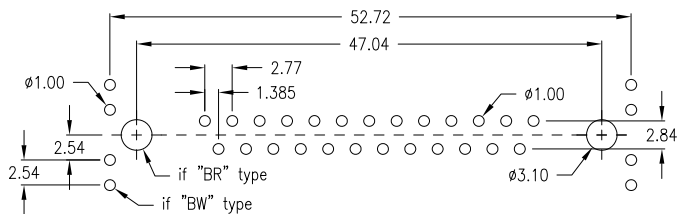


37-pin not available

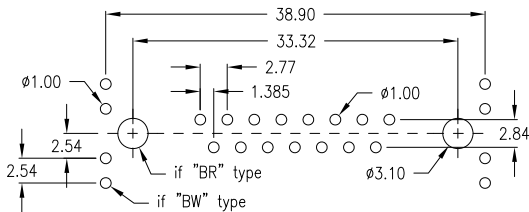
**PCB Layout „female“**



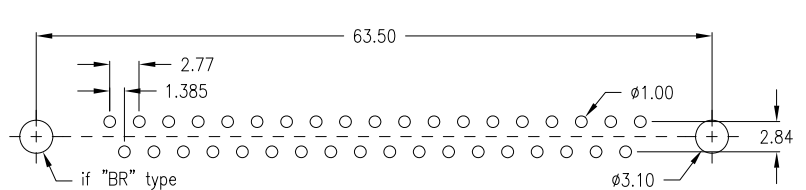
9 pin



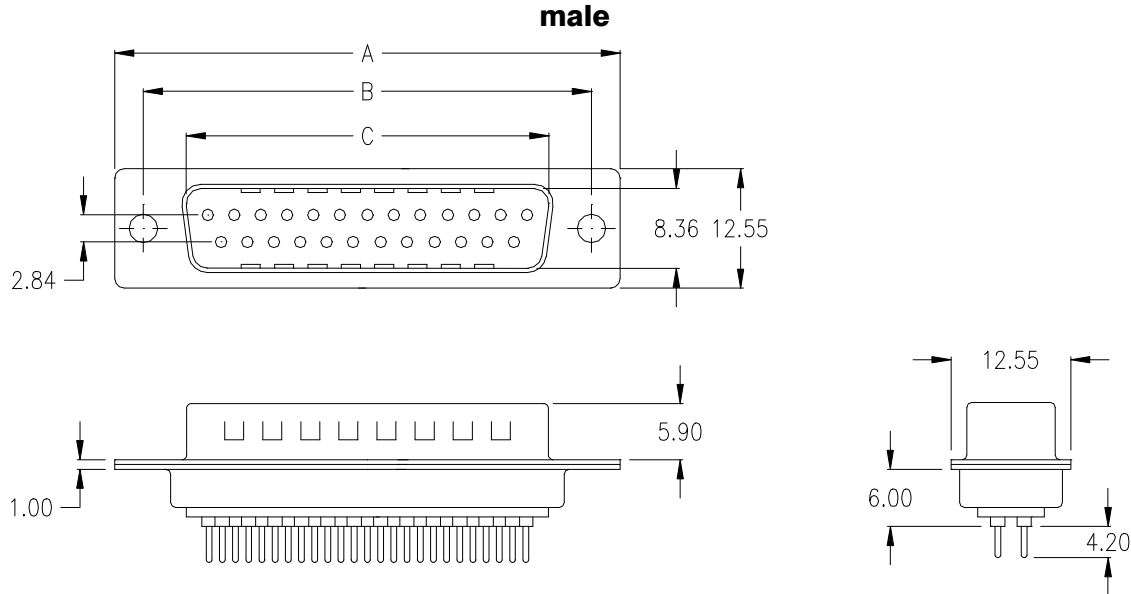
25 pin



15 pin



37 pin



**Ordering Code**

**SDM - xxx - S111 - 95 / XXX**

No. of contacts

Option

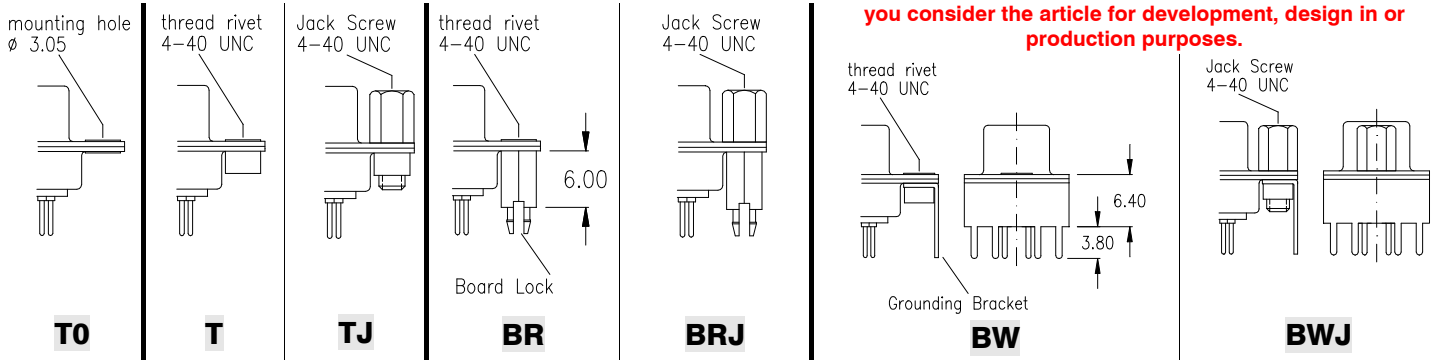
Plating: -95 = tin(leadfree)/gold

General Specification page 72

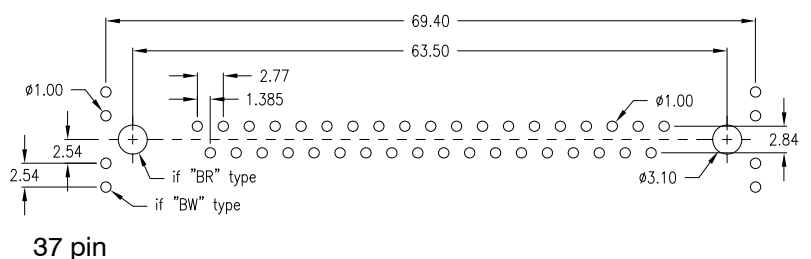
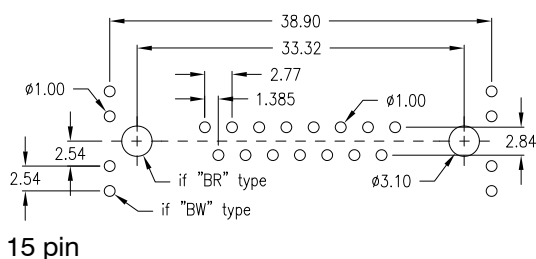
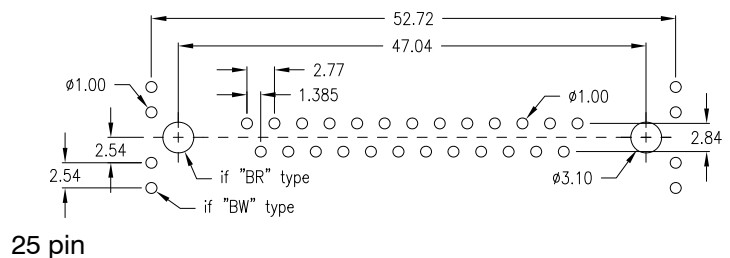
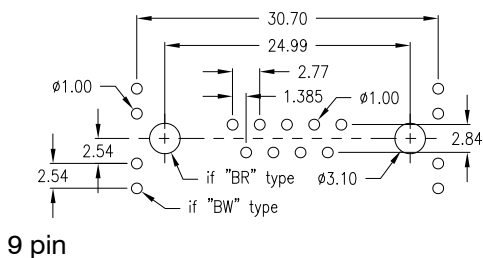
No. of contacts	Dimension		
	A	B	C
009	30.81	24.99	16.92
	1.213	.984	.666
015	39.14	33.32	25.25
	1.541	1.312	.994
025	53.04	47.04	38.96
	2.088	1.852	1.534
037	69.32	63.50	55.42
	2.729	2.500	2.182

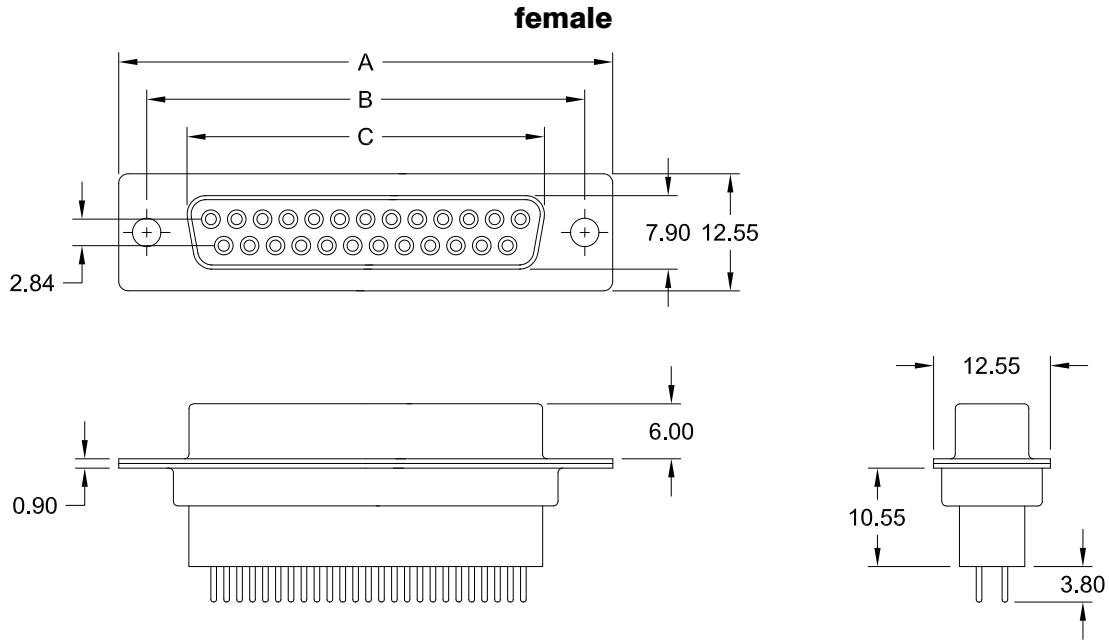
**Options**

**Special product.**  
Please ask for availability and minimum order quantity before you consider the article for development, design in or production purposes.



**PCB Layout „male“**





**Ordering Code**

**SDF - xxx - B111 - 95 / XXX**

No. of contacts

Option

Plating: -95 = tin(leadfree)/gold

General Specification page 72

No. of contacts	Dimension		
	A	B	C
<b>009</b>	30.81 1.213	24.99 .984	16.33 .643
<b>015</b>	39.14 1.541	33.32 1.312	24.66 .971
<b>025</b>	53.04 2.088	47.04 1.852	38.38 1.511
<b>037</b>	69.32 2.729	63.50 2.500	54.84 2.159

**Options**

mounting hole  
Ø 3.05

thread rivet  
4-40 UNC

Jack Screw  
4-40 UNC

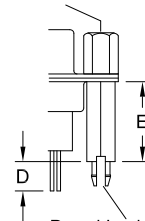
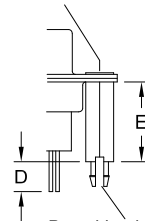
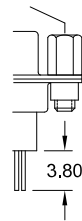
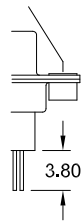
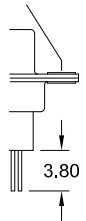
inside thread  
4-40 UNC

Jack Screw  
4-40 UNC

D ±0.20

E

**Option**



3,20	12,70	<b>1</b>
3,50	11,00	<b>2</b>
3,20	14,50	<b>4</b>
4,20	13,50	<b>5</b>

**T0**

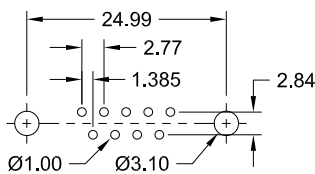
**T**

**TJ**

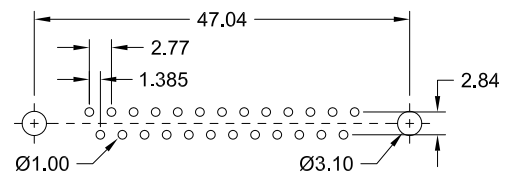
**BR**

**BRJ**

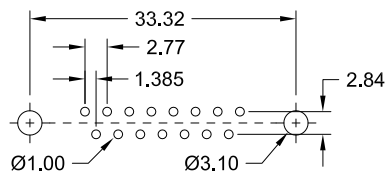
**PCB Layout „female“**



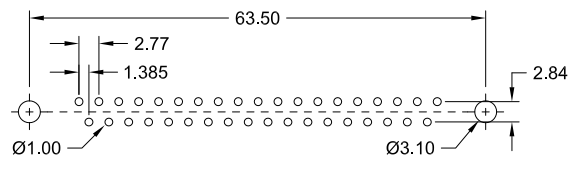
9 pin



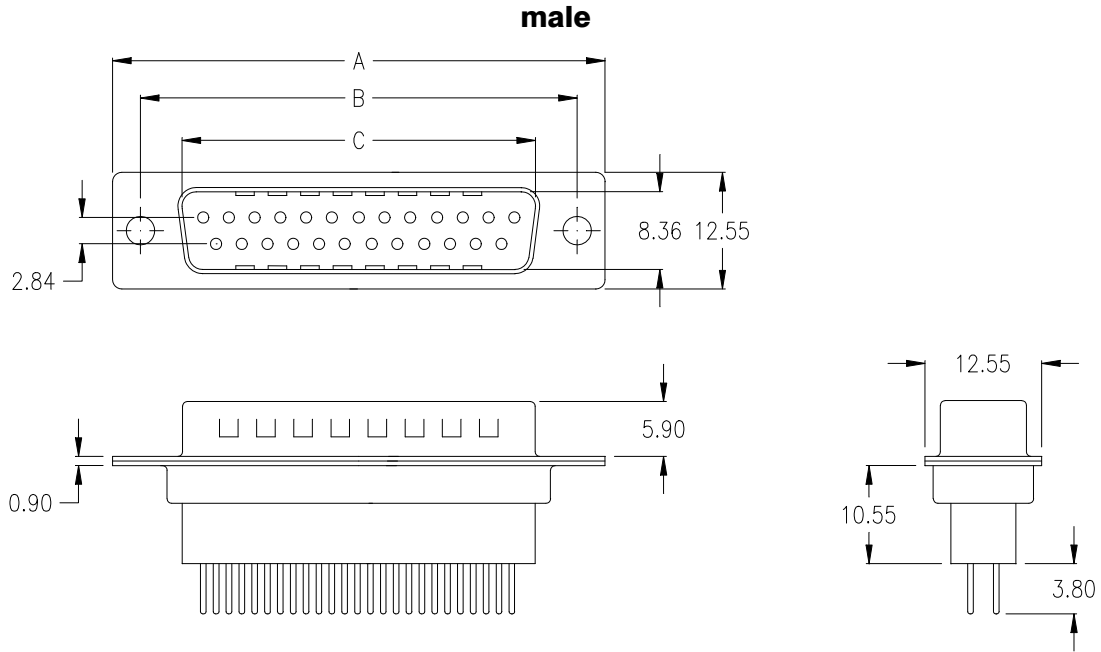
25 pin



15 pin



37 pin



**Ordering Code**

**SDM - xxx - B111 - 95 / XXX**

No. of contacts

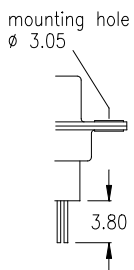
Option

Plating: -95 = tin(leadfree)/gold

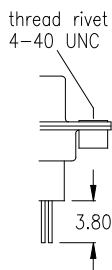
General Specification page 72

No. of contacts	Dimension		
	A	B	C
<b>009</b>	<u>30.81</u> 1.213	<u>24.99</u> .984	<u>16.92</u> .666
<b>015</b>	<u>39.14</u> 1.541	<u>33.32</u> 1.312	<u>25.25</u> .994
<b>025</b>	<u>53.04</u> 2.088	<u>47.04</u> 1.852	<u>38.96</u> 1.534
<b>037</b>	<u>69.32</u> 2.729	<u>63.50</u> 2.500	<u>55.42</u> 2.182

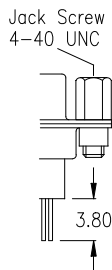
**Options**



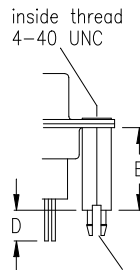
**T0**



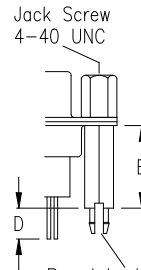
**T**



**TJ**



**BR**

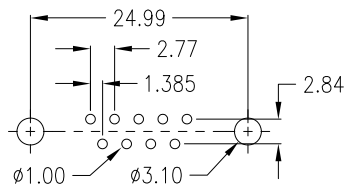


**BR\_J**

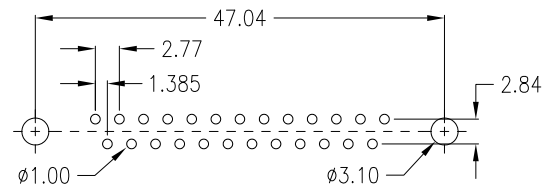
D ±0.20	E	Option
3,20	12,70	<b>1</b>
3,50	11,00	<b>2</b>
3,20	14,50	<b>4</b>
4,20	13,50	<b>5</b>

**PCB Layout „male“**

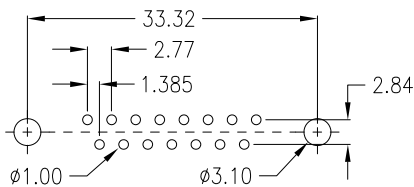
9 pin



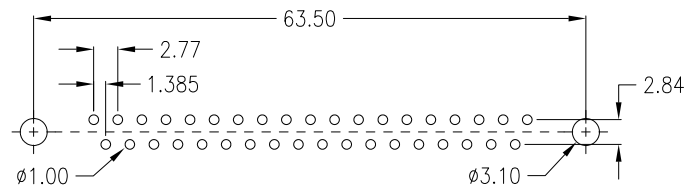
25 pin

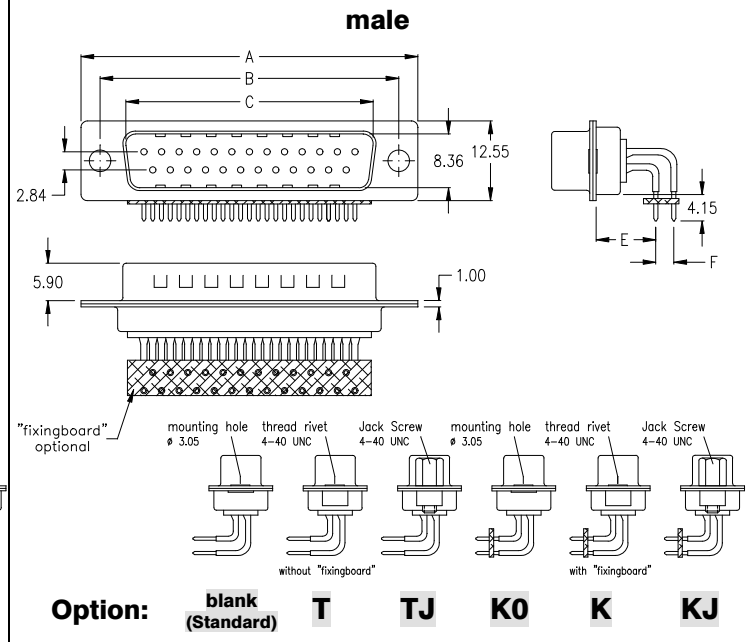
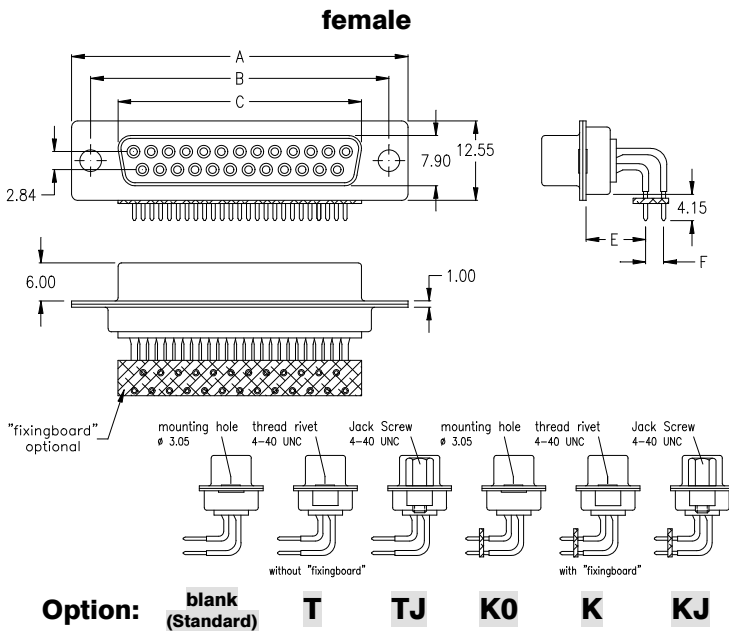


15 pin



37 pin





No. of contacts	Dimension			
	A	B	C	E
<b>009</b>	30.81 1.213	24.99 .984	16.33 .643	7.20 .283
<b>015</b>	39.14 1.541	33.32 1.312	24.66 .971	7.20 .283
<b>025</b>	53.04 2.088	47.04 1.852	38.38 1.511	9.40 .370
<b>037</b>	69.32 2.729	63.50 2.500	54.84 2.159	9.40 .370

No. of contacts	Dimension			
	A	B	C	E
<b>009</b>	30.81 1.213	24.99 .984	16.92 .666	7.20 .283
<b>015</b>	39.14 1.541	33.32 1.312	25.25 .994	7.20 .283
<b>025</b>	53.04 2.088	47.04 1.852	38.96 1.534	9.40 .370
<b>037</b>	69.32 2.729	63.50 2.500	55.42 2.182	9.40 .370

**Ordering Code**

Special product.

Please ask for availability and minimum order quantity before you consider the article for development, design in or production purposes.

**SDF - xxx - X xxx - 55 / Xx (XX)**

No. of contacts

Dimension "E"	precision contact	Option	Dimension "F"
7.20 mm	<b>N901-55</b>	<b>A1</b>	2,54 mm
9,40 mm	<b>T901-55</b>	<b>A2</b>	2,84 mm

**Ordering Code**

Special product.

Please ask for availability and minimum order quantity before you consider the article for development, design in or production purposes.

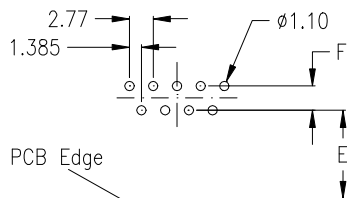
**SDM - xxx - X xxx - 55 / Xx (XX)**

No. of contacts

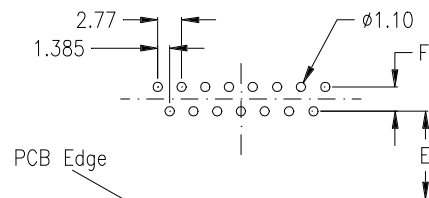
Dimension "E"	precision contact	Option	Dimension "F"
7.20 mm	<b>N901-55</b>	<b>A1</b>	2,54 mm
9,40 mm	<b>T901-55</b>	<b>A2</b>	2,84 mm

-55 = Plating gold all over

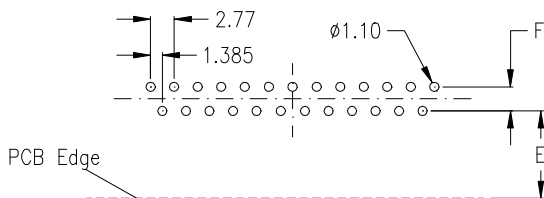
**PCB Layout**



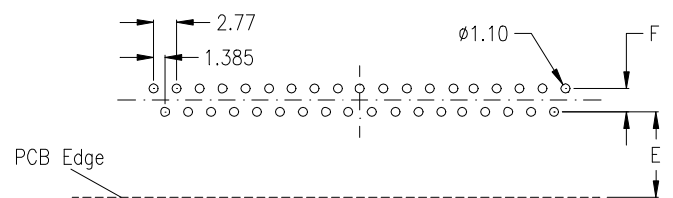
9 pin



15 pin

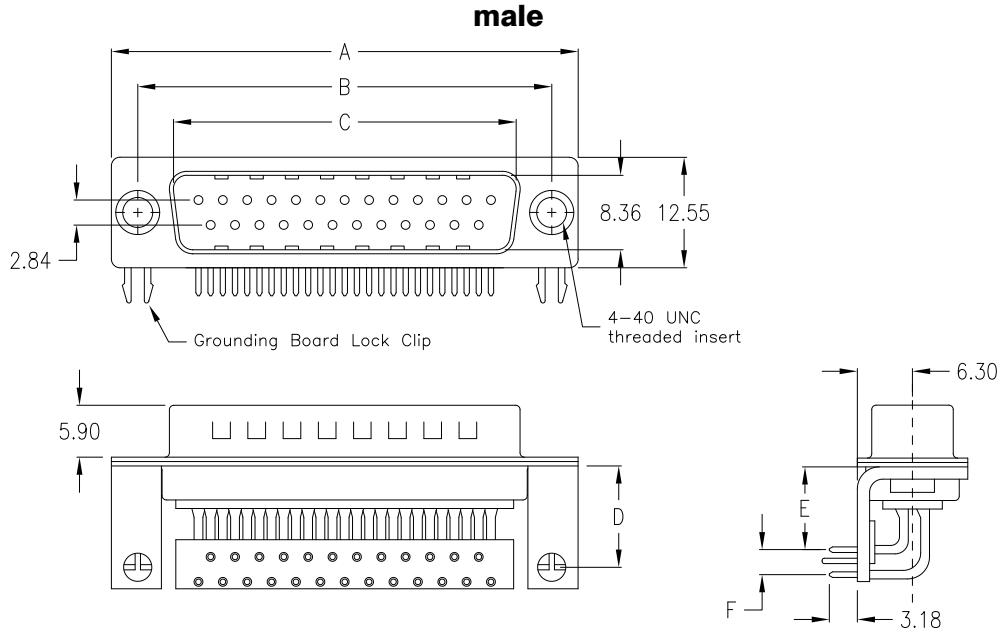


25 pin



37 pin





**Ordering Code**

**Special product.**

Please ask for availability and minimum order quantity before you consider the article for development, design in or production purposes.

**SDM - xxx - N 900 - 95/ XxXX**

No. of contacts

Option

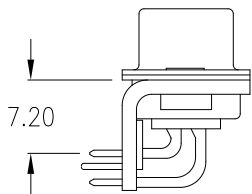
**Stamped contact**

Plating: -95 = tin(leadfree)/gold

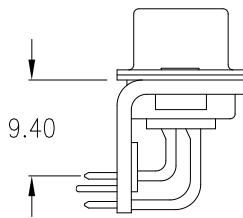
General Specification page 72

No. of contacts	Dimension				
	A	B	C	D if "F"=2,54	D if "F"=2,84
<b>009</b>	30.81 1.213	24.99 .984	16.92 .666	8.47 .333	8.47 .333
<b>015</b>	39.14 1.541	33.32 1.312	25.25 .994	8.47 .333	8.47 .333
<b>025</b>	53.04 2.088	47.04 1.852	38.96 1.534	10.67 .420	10.67 .420
<b>037</b>	69.32 2.729	63.50 2.500	55.42 2.182	10.67 .420	10.67 .420

Dimension "E"

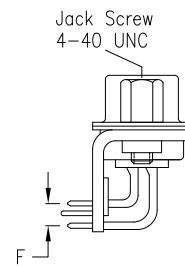
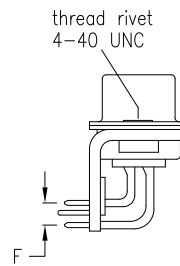


if 9 pin & 15-pin



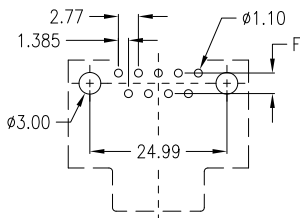
if 25 pin & 37 pin

**Options**

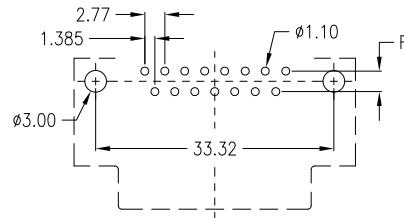


Dimension "F"	Option
2,54mm	<b>1</b>
2,84mm	<b>2</b>

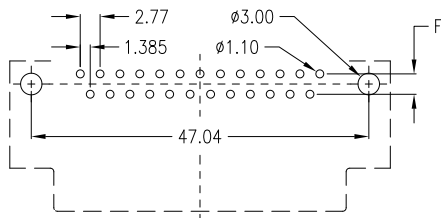
**PCB Layout „male“**



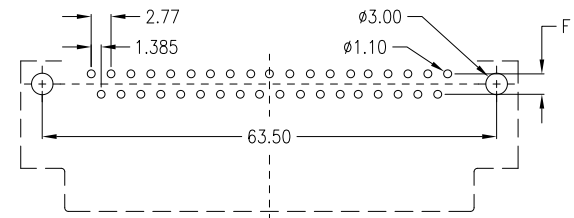
9 pin



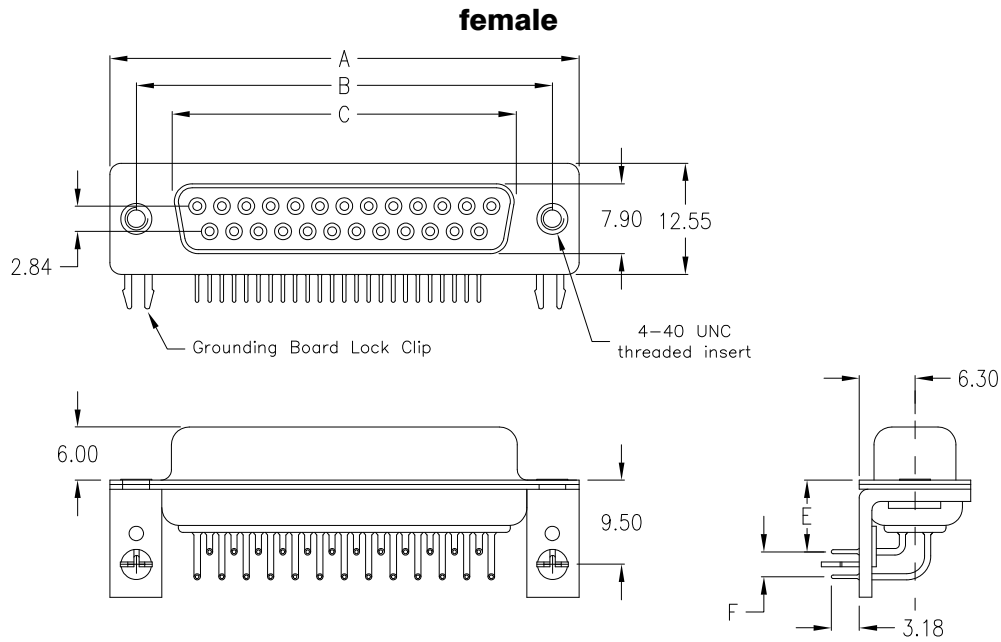
15 pin



25 pin



37 pin



**Ordering Code**

**SDF - xxx - N 901 - 55/ XxXX**

No. of contacts

Option

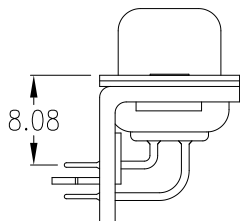
**Precision contact**

No. of contacts	Dimension		
	A	B	C
<b>009</b>	<u>30.81</u> 1.213	<u>24.99</u> .984	<u>16.33</u> .643
<b>015</b>	<u>39.14</u> 1.541	<u>33.32</u> 1.312	<u>24.66</u> .971
<b>025</b>	<u>53.04</u> 2.088	<u>47.04</u> 1.852	<u>38.38</u> 1.511
<b>037</b>	<u>69.32</u> 2.729	<u>63.50</u> 2.500	<u>54.84</u> 2.159

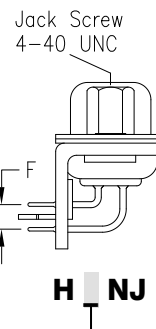
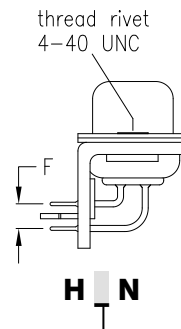
Plating: -55 = Plating gold all over

General Specification page 72

Dimension "E"

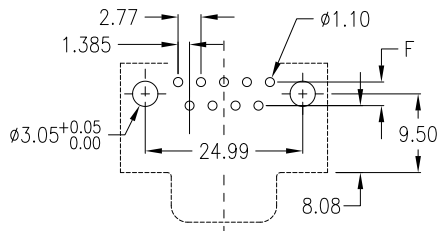


**Options**

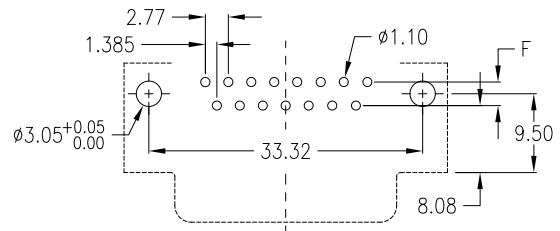


Dimension "F"	Option
2,54mm	<b>1</b>
2,84mm	<b>2</b>

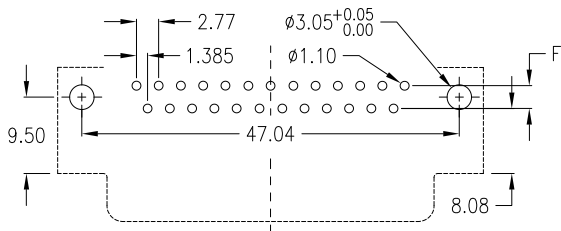
**PCB Layout „female“**



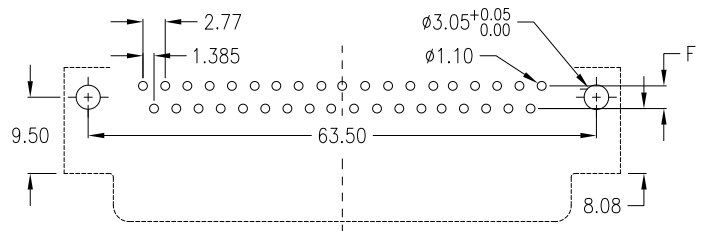
9 pin



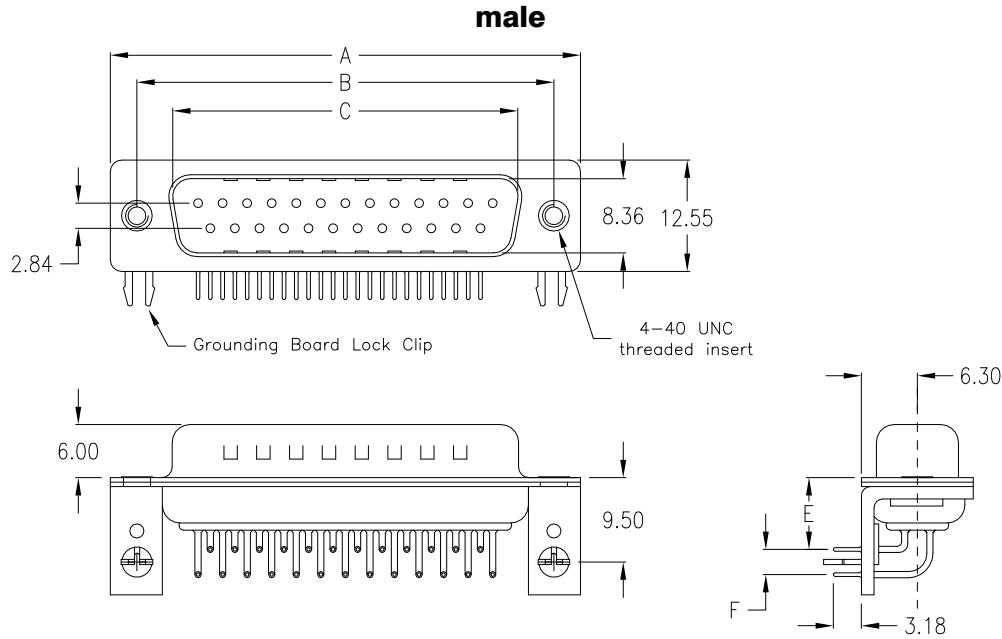
15 pin



25 pin



37 pin



**Ordering Code**

**SDM - xxx - N 901 - 55/ XxXX**

No. of contacts

Option

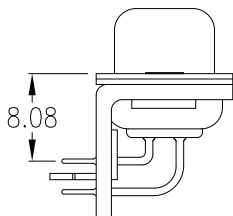
**Precision contact**

No. of contacts	Dimension		
	A	B	C
<b>009</b>	<u>30.81</u> 1.213	<u>24.99</u> .984	<u>16.92</u> .666
<b>015</b>	<u>39.14</u> 1.541	<u>33.32</u> 1.312	<u>25.25</u> .994
<b>025</b>	<u>53.04</u> 2.088	<u>47.04</u> 1.852	<u>38.96</u> 1.534
<b>037</b>	<u>69.32</u> 2.729	<u>63.50</u> 2.500	<u>55.42</u> 2.182

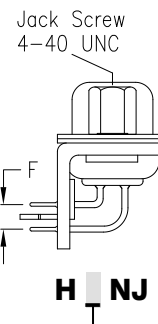
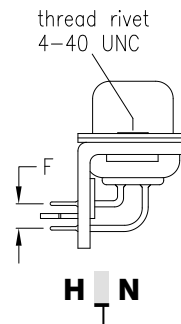
Plating: -55 = Plating gold all over

General Specification page 72

Dimension "E"

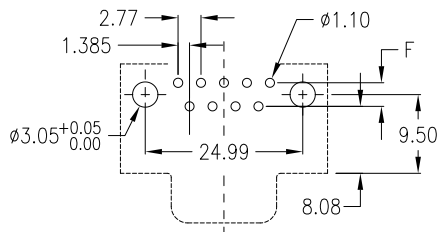


**Options**

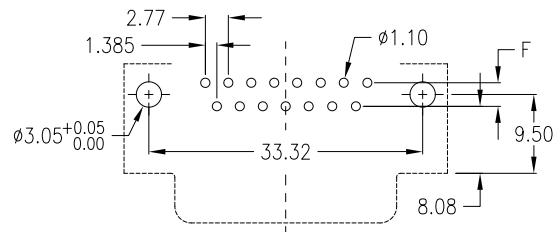


Dimension "F"	Option
2,54mm	<b>1</b>
2,84mm	<b>2</b>

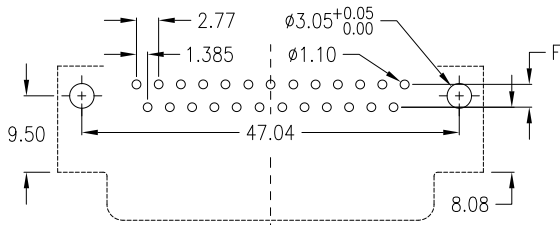
**PCB Layout „male“**



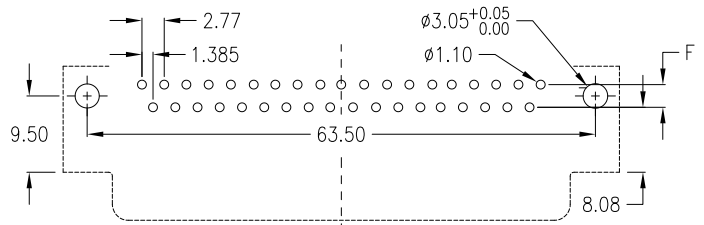
9 pin



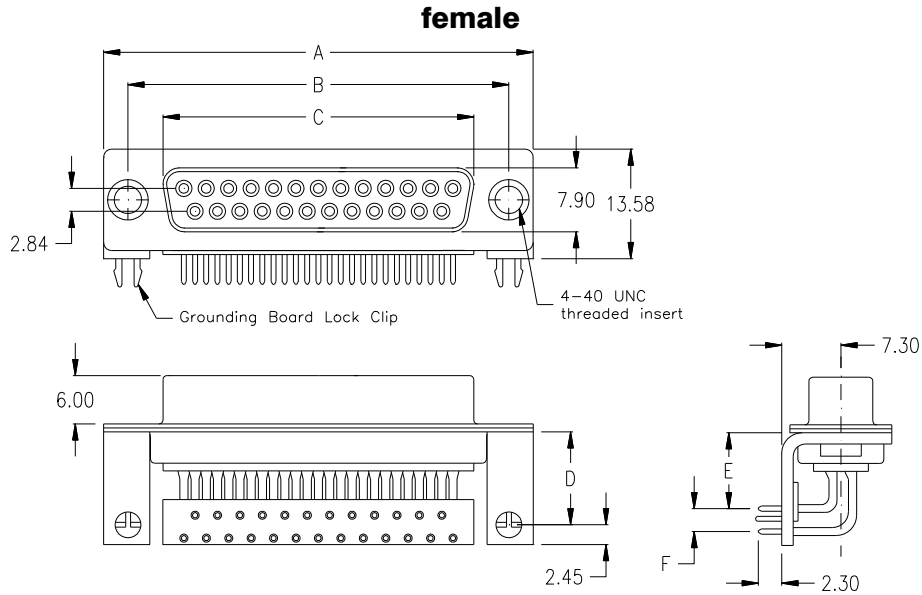
15 pin



25 pin



37 pin



**Ordering Code**

Special product.

Please ask for availability and minimum order quantity before you consider the article for development, design in or production purposes.

**SDF - xxx - T 970 - 55/ Xxxx**

No. of contacts

Option

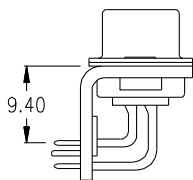
No. of contacts	Dimension				
	A	B	C	D if "F"=2,54	D if "F"=2,84
<b>009</b>	30.81 1.213	24.99 .984	16.33 .643	10.07 .396	10.02 .394
<b>015</b>	39.14 1.541	33.32 1.312	24.66 .971	10.07 .396	10.02 .394
<b>025</b>	53.04 2.088	47.04 1.852	38.38 1.511	10.07 .396	10.02 .394
<b>037</b>	69.32 2.729	63.50 2.500	54.84 2.159	10.07 .396	10.02 .394

Plating: -55 = gold/gold

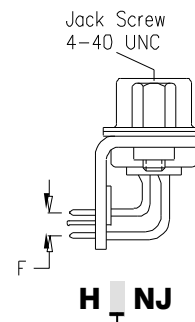
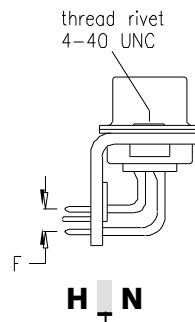
(-95 = tin(leadfree)/gold on request)

General Specification page 72

(Dimension "E")

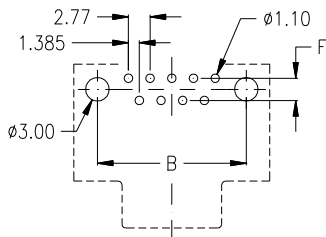


**Options**

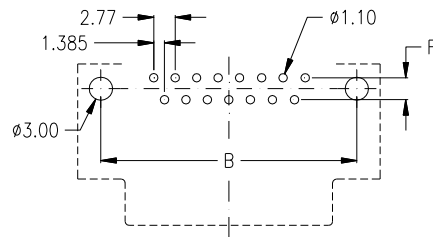


Dimension "F"	Option
2,54mm	<b>1</b>
2,84mm	<b>2</b>

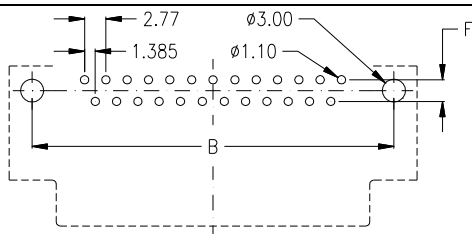
**PCB Layout „female“**



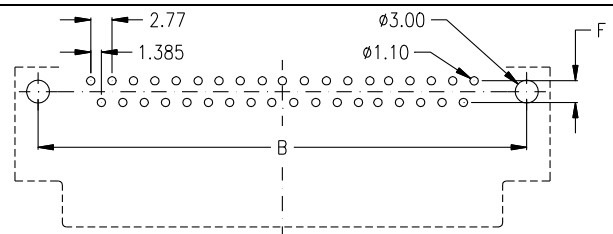
9 pin



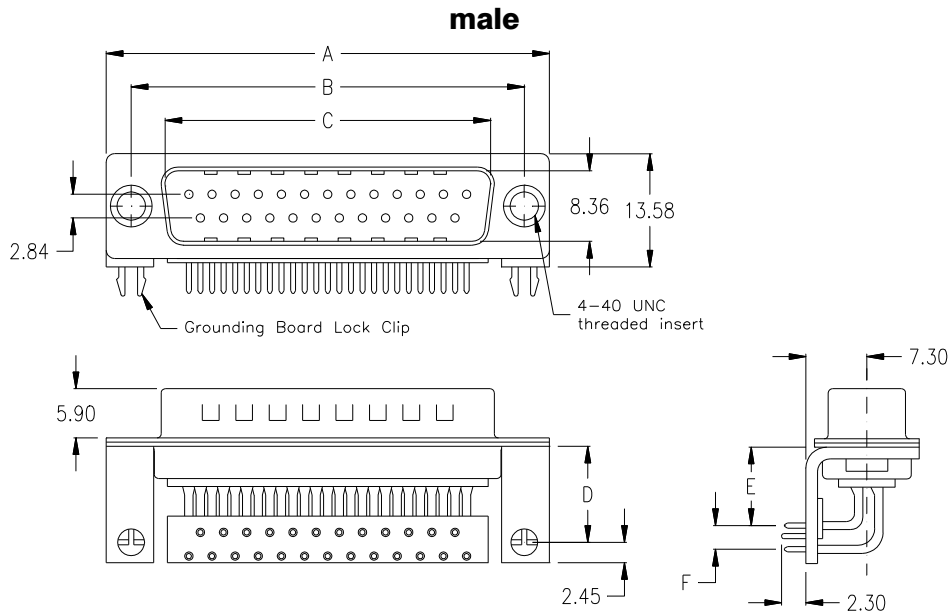
15 pin



25 pin



37 pin



**Ordering Code**

Special product.

Please ask for availability and minimum order quantity before you consider the article for development, design in or production purposes.

**SDM - xxx - T 970 - 55/ Xxxx**

No. of contacts

Option

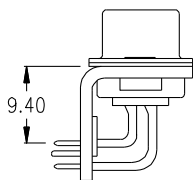
No. of contacts	Dimension				
	A	B	C	D if "F"=2,54	D if "F"=2,84
<b>009</b>	30.81 1.213	24.99 .984	16.92 .666	10.07 .396	10.02 .394
<b>015</b>	39.14 1.541	33.32 1.312	25.25 .994	10.07 .396	10.02 .394
<b>025</b>	53.04 2.088	47.04 1.852	38.96 1.534	10.07 .396	10.02 .394
<b>037</b>	69.32 2.729	69.32 2.729	63.50 2.500	55.42 2.182	10.07 .396

Plating: -55 = gold/gold

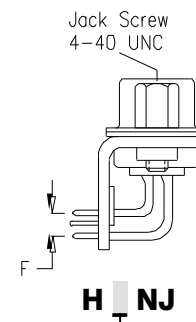
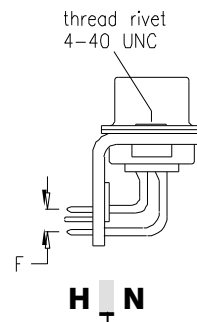
(-95 = tin(leadfree)/gold on request)

General Specification page 72

(Dimension "E")

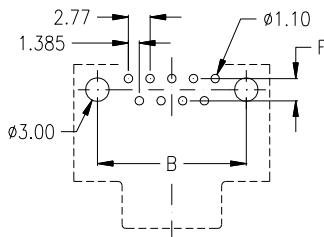


**Options**

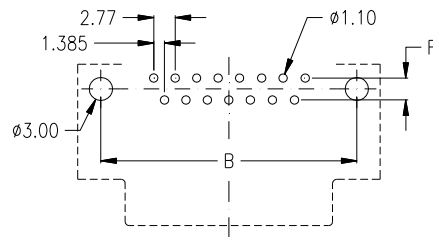


Dimension "F"	Option
2,54mm	<b>1</b>
2,84mm	<b>2</b>

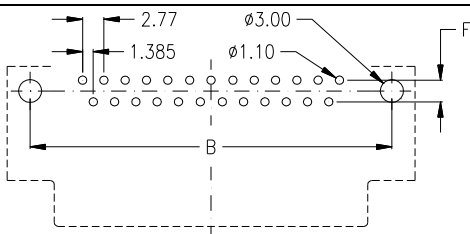
**PCB Layout „male“**



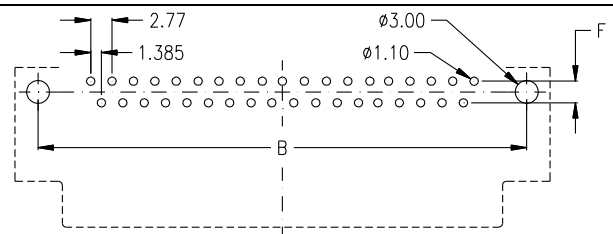
9 pin



15 pin



25 pin



37 pin

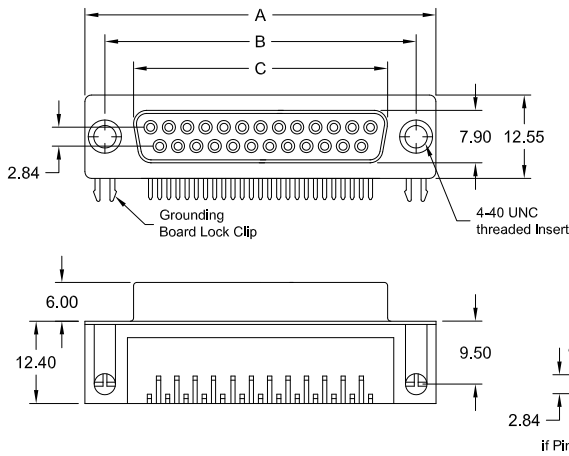
# SD Series - D-Sub 90°

"Wave Solder" & "Pin-In-Paste" Technology

N900 8,08mm / .318" „US Style“ Footprint

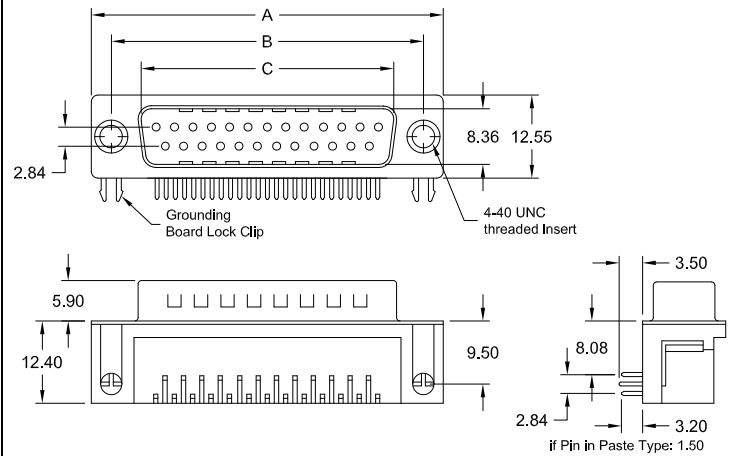


## female



PCB hole layout on page 29

## male



PCB hole layout on page 29

No. of contacts	Dimension			Ordering Code
	A	B	C	
009	30.81 1.213	24.99 .984	16.33 .643	<b>SDF-009-N900-95/ XX</b>
015	39.20 1.543	33.32 1.311	24.66 .971	<b>SDF-015-N900-95/ XX</b>
				<b>SDF-015-N900-95/Y XX</b>
025	53.05 2.089	47.04 1.852	38.38 1.511	<b>SDF-025-N900-95/ XX</b>
				<b>SDF-025-N900-95/B XX</b>
037	69.40 2.732	63.50 2.500	54.84 2.159	<b>SDF-037-N900-95/ XX</b>

Plating: **-95** = tin(*leadfree*)/gold  
**-55** = gold/gold *on request*

Option

No. of contacts	Dimension			Ordering Code
	A	B	C	
009	30.81 1.213	24.99 .984	16.92 .666	<b>SDM-009-N900-95/ XX</b>
				<b>SDM-009-N900-95/T XX</b>
015	39.20 1.543	33.32 1.311	25.25 .994	<b>SDM-015-N900-95/ XX</b>
025	53.05 2.089	47.04 1.852	38.96 1.534	<b>SDM-025-N900-95/ XX</b>
037	69.40 2.732	63.50 2.500	55.42 2.182	<b>SDM-037-N900-95/ XX</b>

Plating: **-95** = tin(*leadfree*)/gold  
**-55** = gold/gold *on request*

Option

**SDF - xxx- N900 - 95/Y XX** = PC99 type yellowish brown  
**SDF - xxx- N900 - 95/B XX** = PC99 type burgundy

*Other colour available on request*

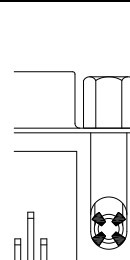
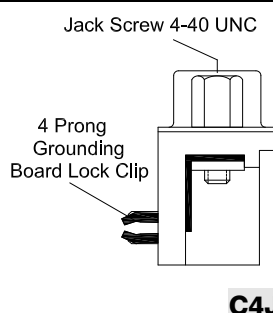
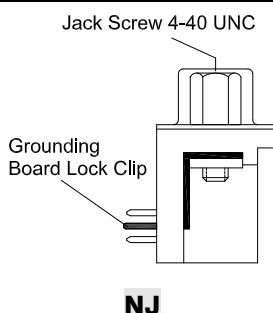
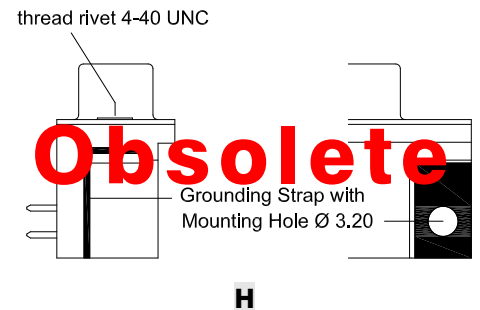
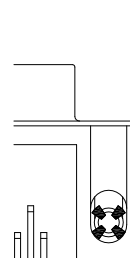
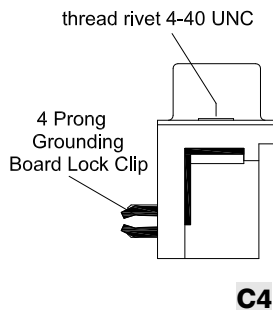
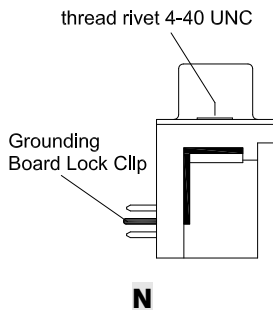
**SDM - xxx- N900 - 95/T XX** = PC99 type teal

*Other colour available on request*

"Pin-In-Paste" Technology - for availability pls. contact [info@e-tec.com](mailto:info@e-tec.com)

General Specification page 72

## Options



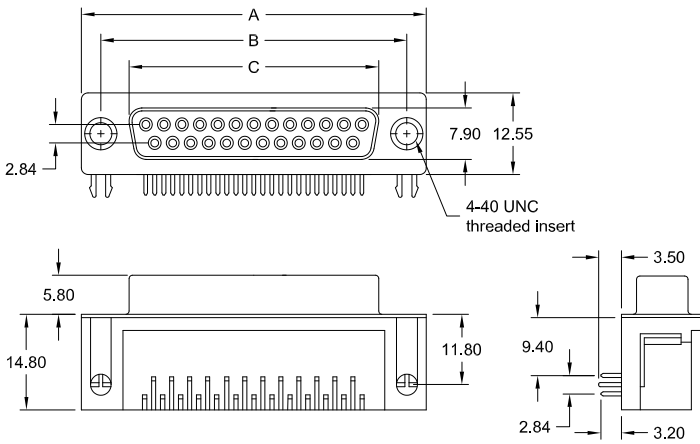
**Obsolete**

**Obsolete**

SD Series - D-Sub 90°  
9,40mm / .370" „Euro Style“ Footprint



female



PCB hole layout on page 29

No. of contacts	Dimension		
	A	B	C
009	30.81	24.99	16.33
	1.213	.984	.643
015	39.14	33.32	24.66
	1.541	1.312	.971
025	53.04	47.04	38.38
	2.088	1.852	1.511
037	69.32	63.50	54.84
	2.729	2.500	2.159

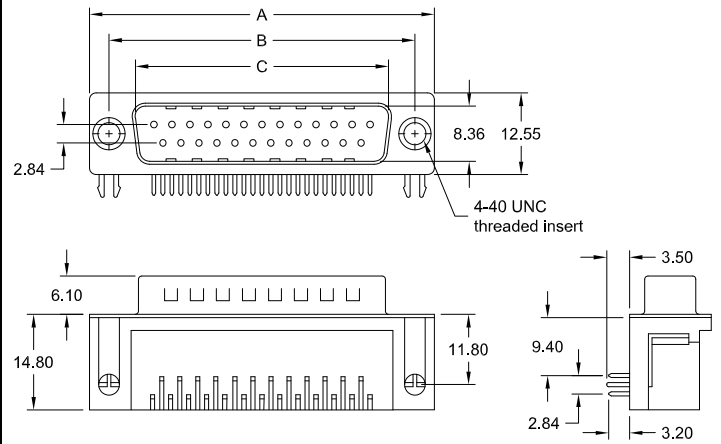
Ordering Code

**SDF - xxx - M900 - 55 / XX**  
 No. of contacts                      Option

Plating: -55 = gold

General Specification page 72

male



PCB hole layout on page 29

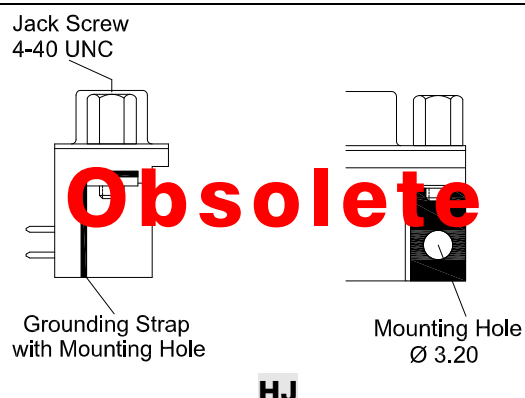
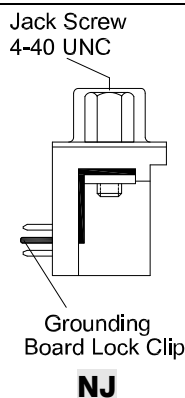
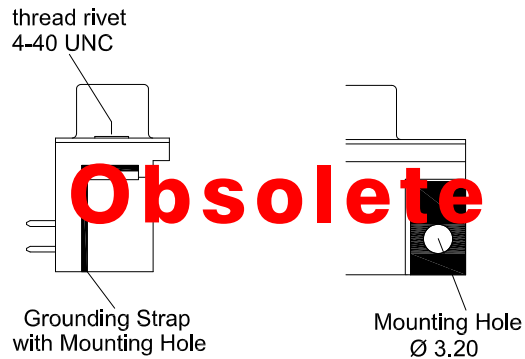
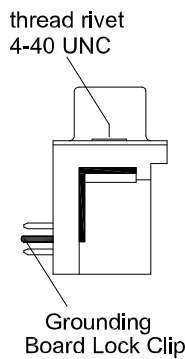
No. of contacts	Dimension		
	A	B	C
009	30.81	24.99	16.92
	1.213	.984	.666
015	39.14	33.32	25.25
	1.541	1.312	.994
025	53.04	47.04	38.96
	2.088	1.852	1.534
037	69.32	63.50	55.42
	2.729	2.500	2.182

Ordering Code

**SDM - xxx - M900 - 55 / XX**  
 No. of contacts                      Option

Plating: -55 = gold

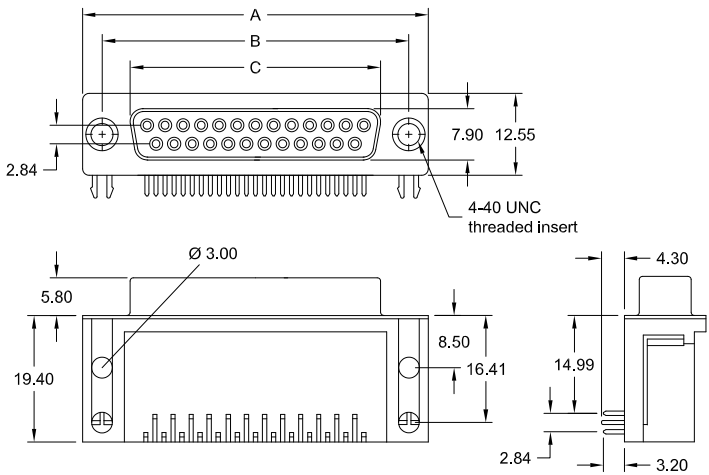
Options



SD Series - D-Sub 90°  
15,00mm / .590" „Long Style“ Footprint



female



PCB hole layout on page 29

No. of contacts	Dimension		
	A	B	C
009	30.81	24.99	16.33
	1.213	.984	.643
015	39.14	33.32	24.66
	1.541	1.312	.971
025	53.04	47.04	38.38
	2.088	1.852	1.511
037	69.32	63.50	54.84
	2.729	2.500	2.159

Ordering Code

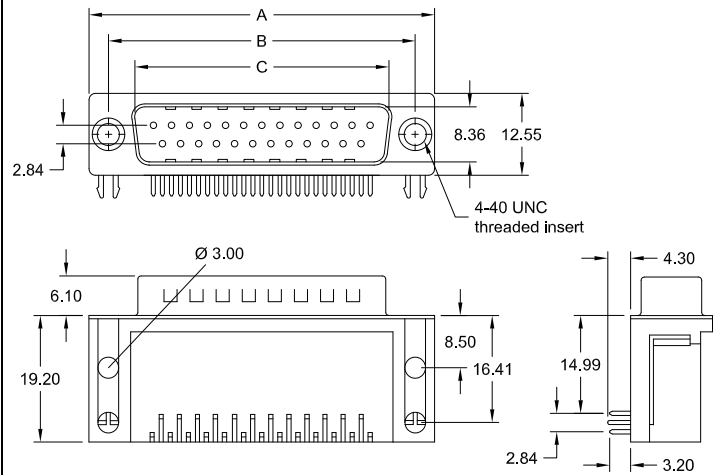
SDF - xxx - L900 - 55 / XX

No. of contacts

Option

Plating: -95 = tin(leadfree)/gold

male



PCB hole layout on page 29

No. of contacts	Dimension		
	A	B	C
009	30.81	24.99	16.92
	1.213	.984	.666
015	39.14	33.32	25.25
	1.541	1.312	.994
025	53.04	47.04	38.96
	2.088	1.852	1.534
037	69.32	63.50	55.42
	2.729	2.500	2.182

Ordering Code

SDM - xxx - L900 - 55 / XX

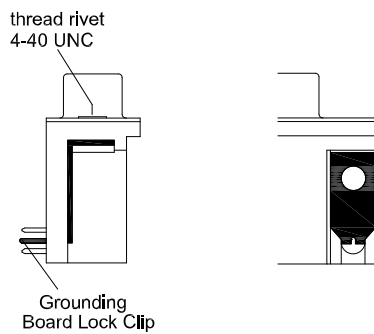
No. of contacts

Option

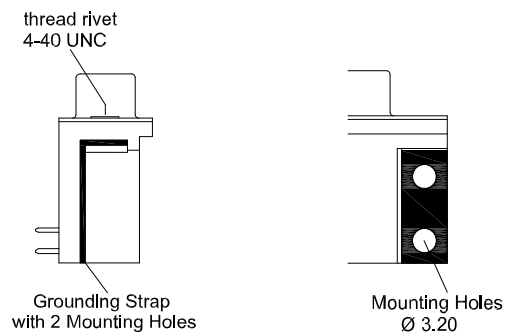
Plating: -95 = tin(leadfree)/gold

General Specification page 72

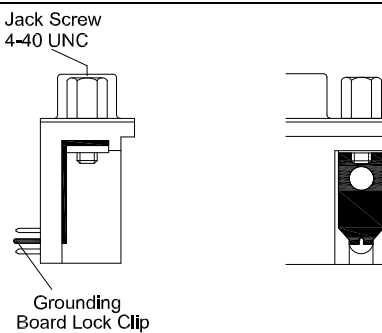
Options



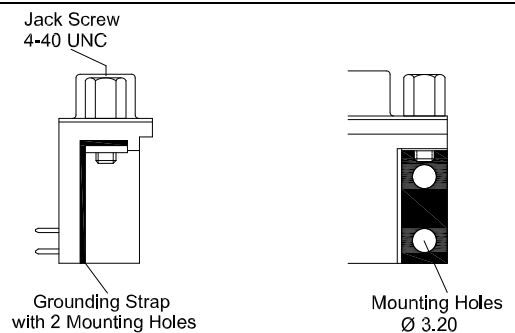
P



L



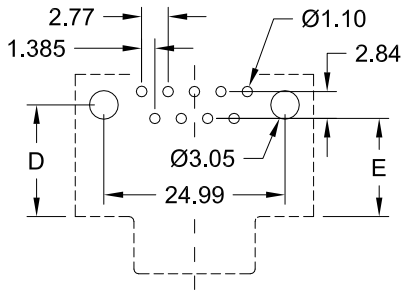
PJ



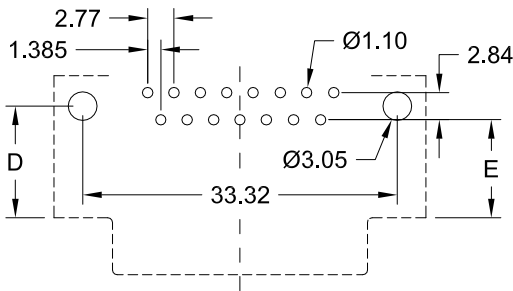
LJ



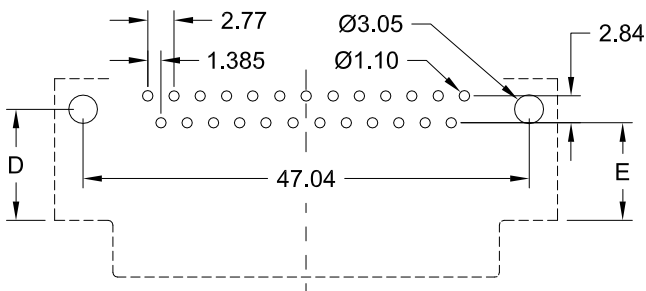
**N900 & M900 Type**



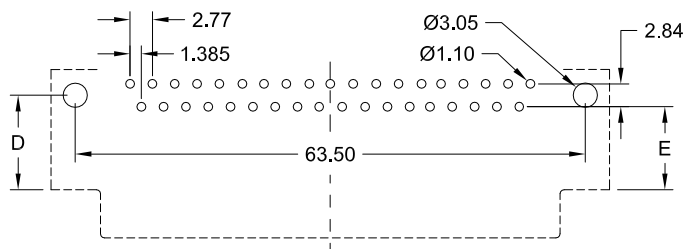
9-pin



15-pin

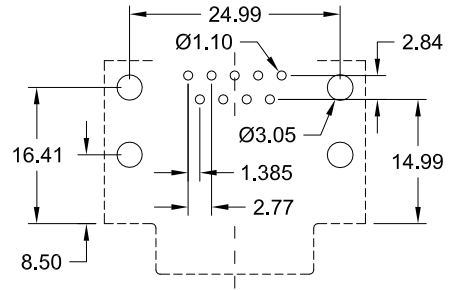


25-pin

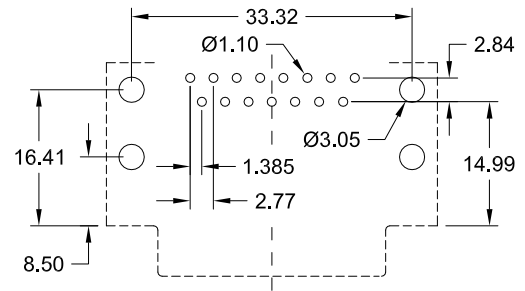


37-pin

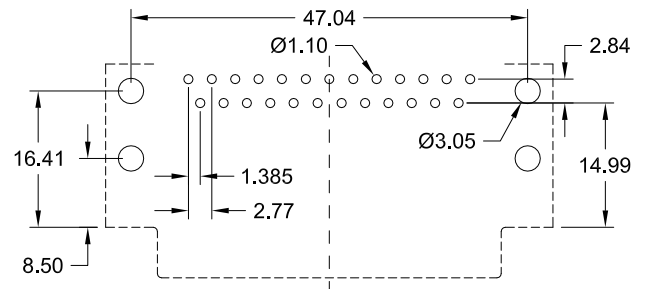
**L900 Type**



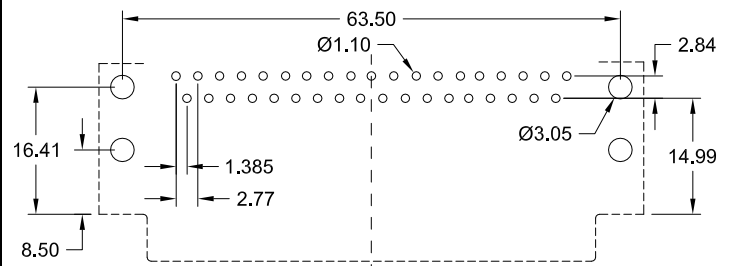
9-pin



15-pin



25-pin



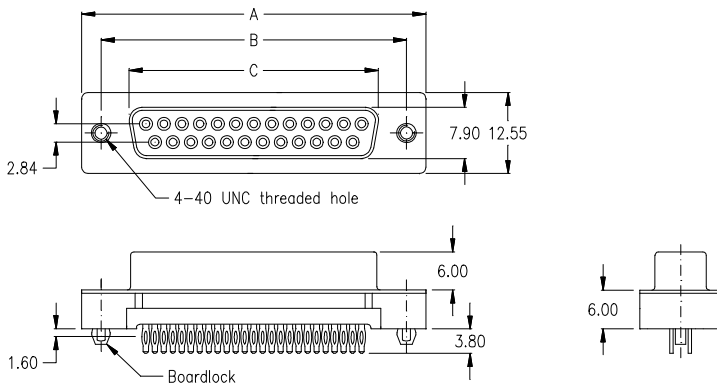
37-pin

D-Sub Type	Dim. "D" ±0.25/±.010	Dim. "E" ±0.25/±.010
<b>N 900</b>	<u>9.50</u> .374	<u>8.08</u> .318
<b>M 900</b>	<u>11.70</u> .461	<u>10.30</u> .406

SD Series - D-Sub  
P150 "press fit" type



female



No. of contacts	Dimension			
	A	B	C	E
009	30.81	24.99	16.33	7.20
	1.213	.984	.643	.283
015	39.14	33.32	24.66	7.20
	1.541	1.312	.971	.283
025	53.04	47.04	38.38	9.40
	2.088	1.852	1.511	.370
037	69.32	63.50	54.84	9.40
	2.729	2.500	2.159	.370

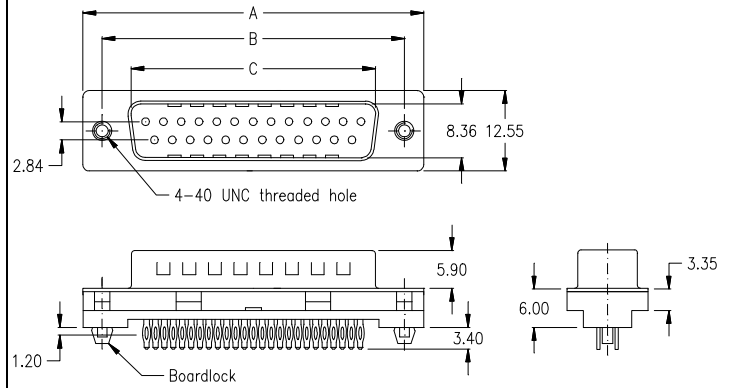
Ordering Code

**SDF - xxx - P 150 - 95 / P**

No. of contacts

if with Jack Screw assemble to the connector: **PJ**

male



No. of contacts	Dimension			
	A	B	C	E
009	30.81	24.99	16.92	7.20
	1.213	.984	.666	.283
015	39.14	33.32	25.25	7.20
	1.541	1.312	.994	.283
025	53.04	47.04	38.96	9.40
	2.088	1.852	1.534	.370
037	69.32	63.50	55.42	9.40
	2.729	2.500	2.182	.370

Ordering Code

**SDM - xxx - P 150 - 95 / P**

No. of contacts

if with Jack Screw assemble to the connector: **PJ**

(for Jack Screw dimension etc. pls. see page 70)

PCB - Hole Specification

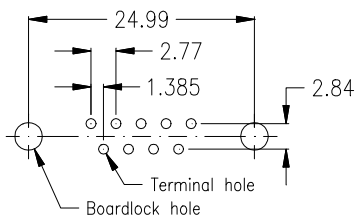
recommended PCB thickness: 1.60mm

terminal hole		boardlock hole	
drilled hole	1.10mm ± 0.02	drilled hole	3.20mm ± 0.02
finished hole	1.00mm ± 0.05	finished hole	3.10mm ± 0.05
Cu	min. 25 μm	Cu	min. 25 μm
Sn	5 - 15 μm	Sn	5 - 15 μm

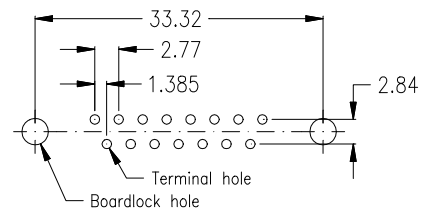
General Specification

Current rating	5 A
Contact resistance	30mΩ max.
Insulator resistance	1.000MΩ min. at 500V DC
Withstanding voltage	1.000V AC (rms) for 1 Minute
Contact material	PhBz (RoHS compliant)
Contact plating	tin (leadfree) / gold
Insulator	Nylon 46 (RoHS compliant)
Operating temperature	-55° C to +125° C

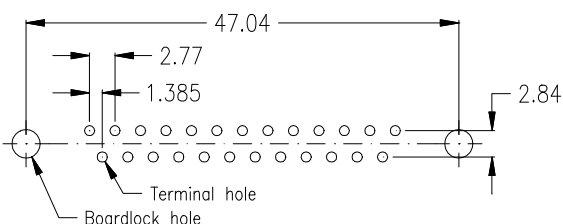
PCB Layout



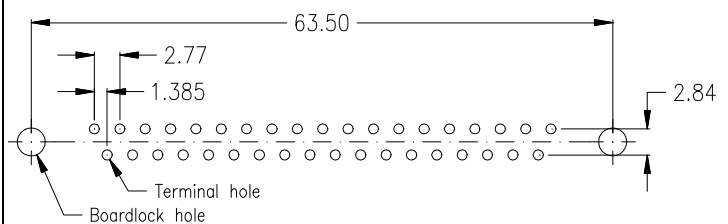
9 pin



15 pin

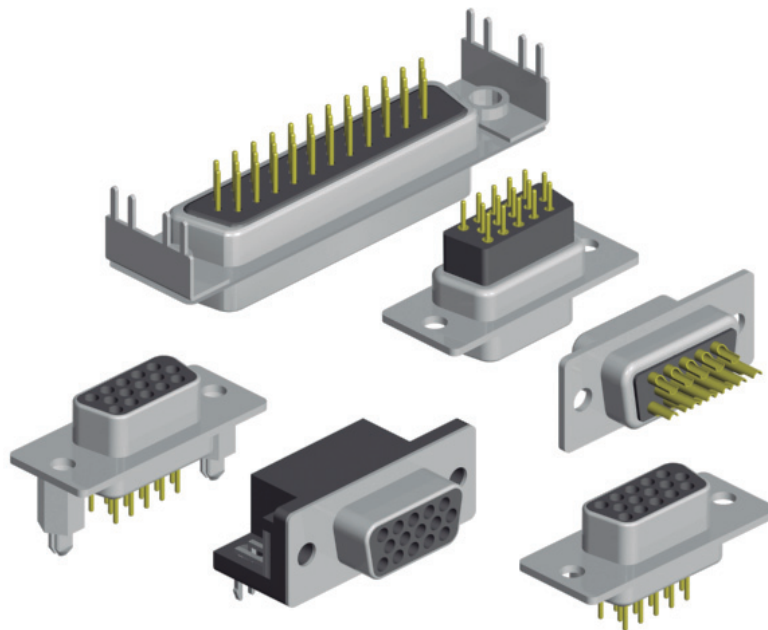


25 pin



37 pin

# High Density D-Sub

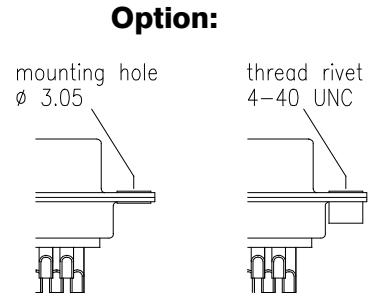
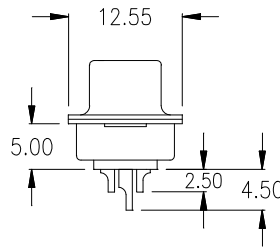
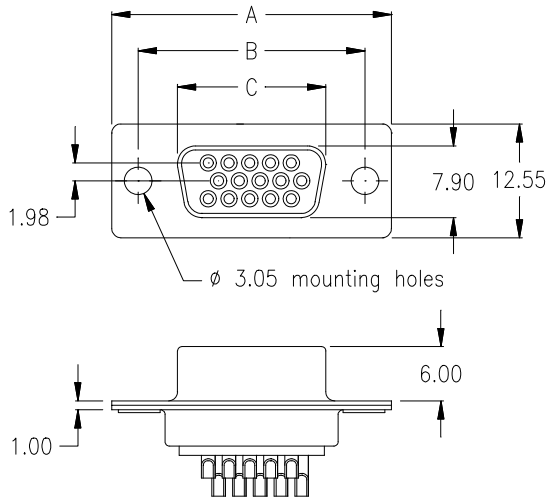


High Density ( 3 - row ) D-Sub family includes hand solder and straight soldertail types.

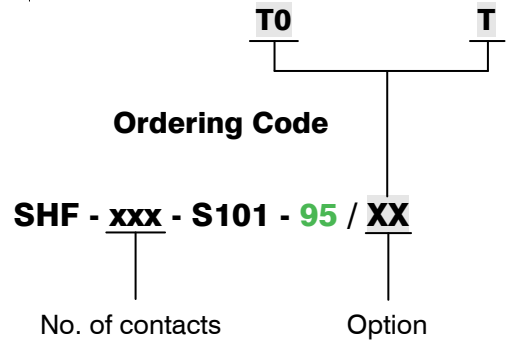
The right angle types are also available for “Pin-In-Paste” Technology and as “VESA” Type.

A variety of High Density D-Sub Connectors are also available with Ferrite Filter.

**female**



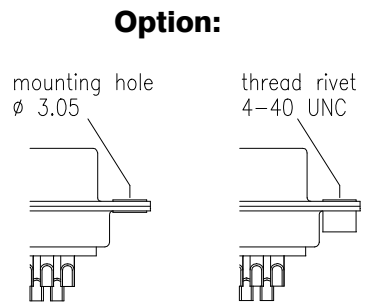
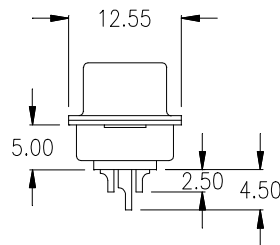
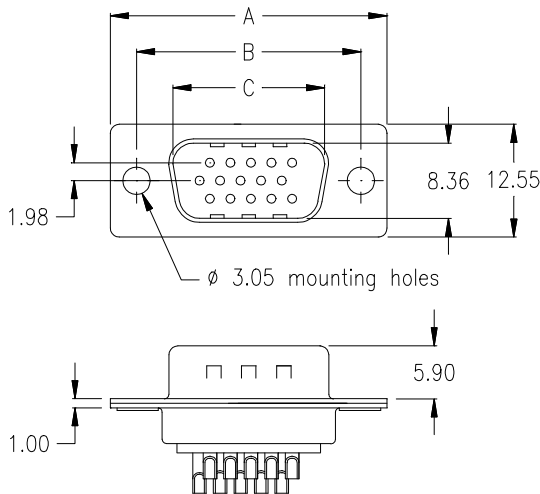
No. of contacts	Dimension		
	A	B	C
<b>015</b>	<u>30.81</u> 1.213	<u>24.99</u> .984	<u>16.33</u> .643
<b>026</b>	<u>39.14</u> 1.541	<u>33.32</u> 1.312	<u>24.66</u> .971
<b>044</b>	<u>53.04</u> 2.088	<u>47.04</u> 1.852	<u>38.38</u> 1.511
<b>062</b>	<u>69.32</u> 2.729	<u>63.50</u> 2.500	<u>54.84</u> 2.159



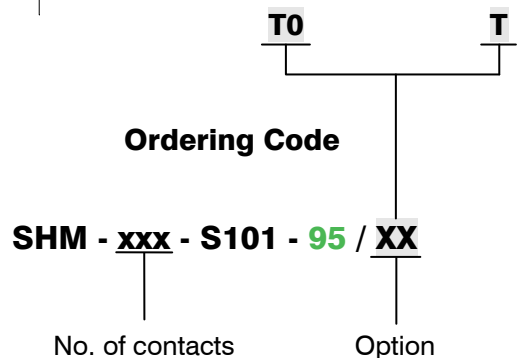
General Specification page 72

Plating: -95 = tin(leadfree)/gold

**male**



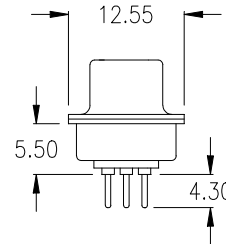
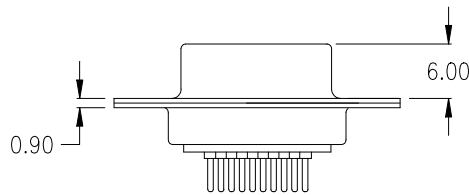
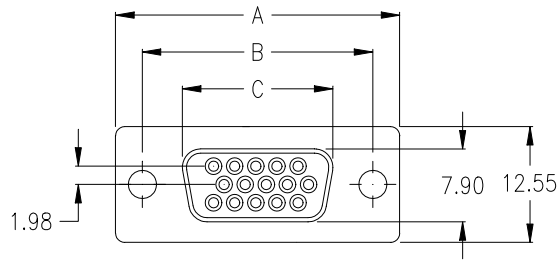
No. of contacts	Dimension		
	A	B	C
<b>015</b>	<u>30.81</u> 1.213	<u>24.99</u> .984	<u>16.92</u> .666
<b>026</b>	<u>39.14</u> 1.541	<u>33.32</u> 1.312	<u>25.25</u> .994
<b>044</b>	<u>53.04</u> 2.088	<u>47.04</u> 1.852	<u>38.96</u> 1.534
<b>062</b>	<u>69.32</u> 2.729	<u>63.50</u> 2.500	<u>55.42</u> 2.182



General Specification page 72

Plating: -95 = tin(leadfree)/gold

female



Ordering Code

SHF - xxx - S111 - 95 / XXX

No. of contacts

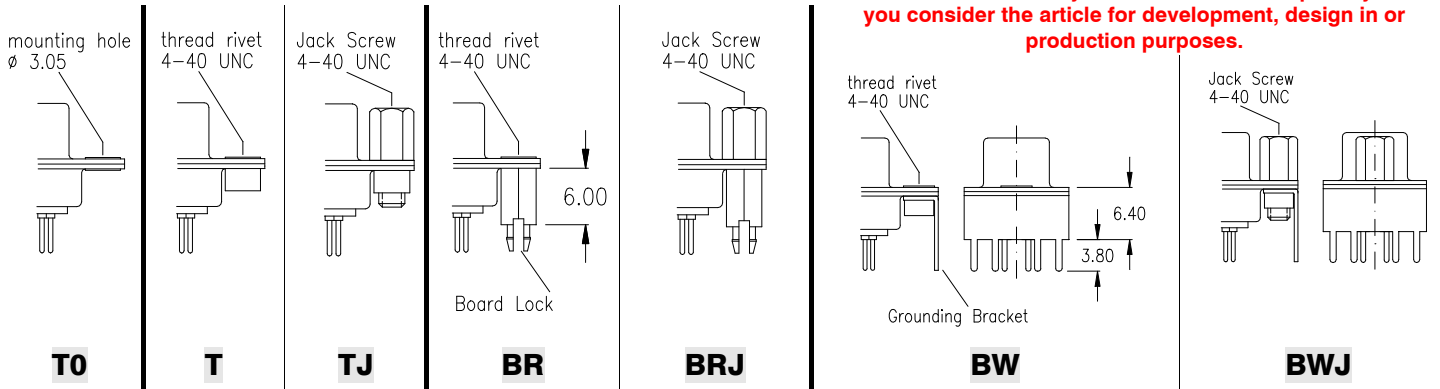
Option

Plating: -95 = tin(leadfree)/gold  
General Specification page 72

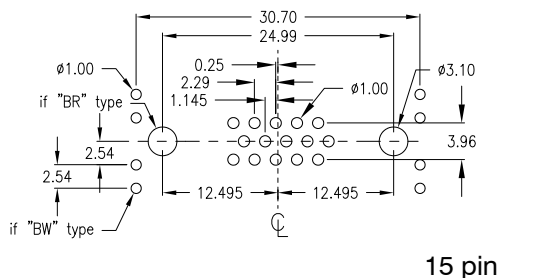
No. of contacts	Dimension		
	A	B	C
015	30.81	24.99	16.33
	1.213	.984	.643
026	39.14	33.32	24.66
	1.541	1.312	.971
044	53.04	47.04	38.38
	2.088	1.852	1.511
062	69.32	63.50	54.84
	2.729	2.500	2.159

Options

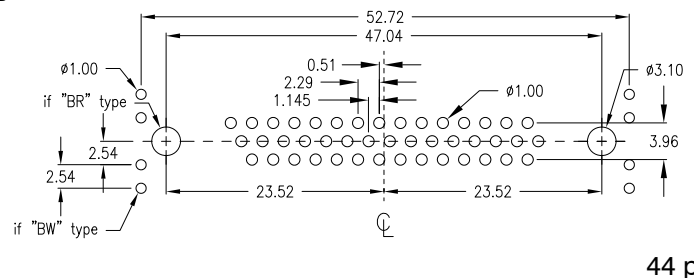
Special product.  
Please ask for availability and minimum order quantity before you consider the article for development, design in or production purposes.



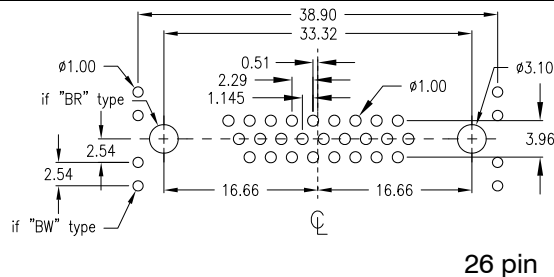
PCB Layout „female“



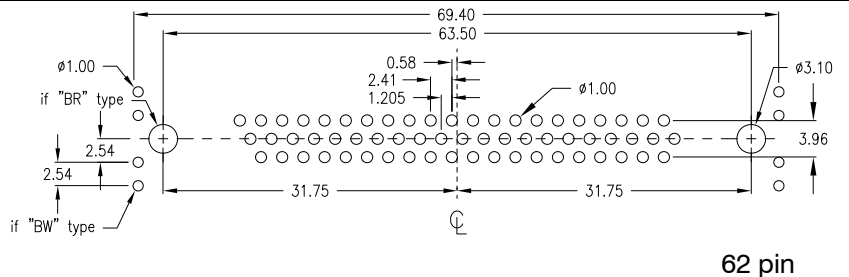
15 pin



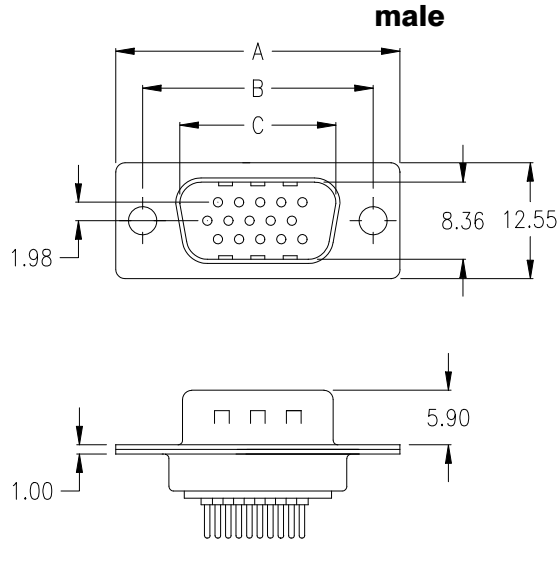
44 pin



26 pin



62 pin



**Ordering Code**

**SHM - xxx - S111 - 95 / XXX**

No. of contacts

Option

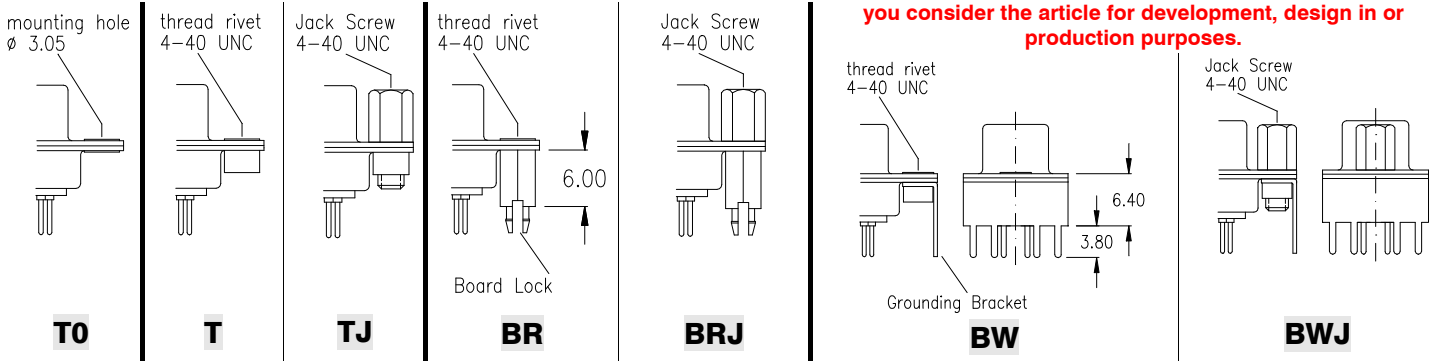
Plating: -95 = tin(leadfree)/gold

General Specification page 72

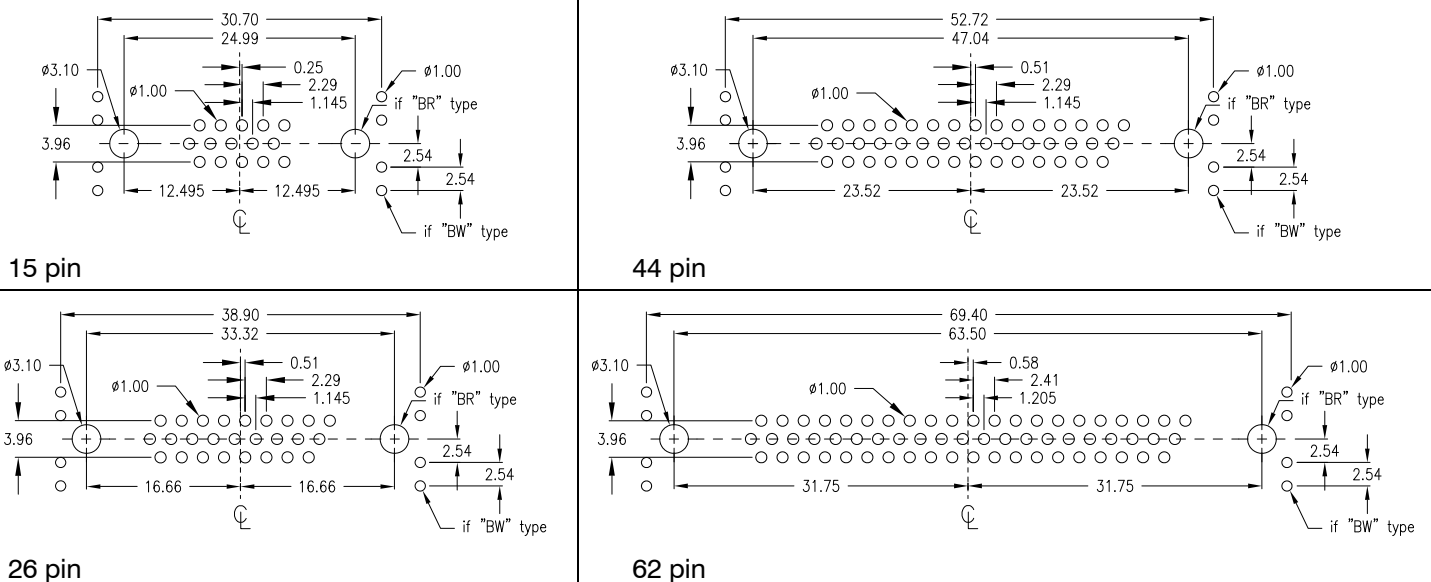
No. of contacts	Dimension		
	A	B	C
015	30.81	24.99	16.92
	1.213	.984	.666
026	39.14	33.32	25.25
	1.541	1.312	.994
044	53.04	47.04	38.96
	2.088	1.852	1.534
062	69.32	63.50	55.42
	2.729	2.500	2.182

**Options**

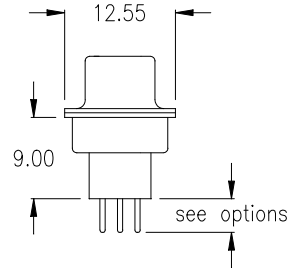
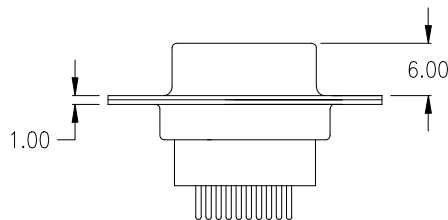
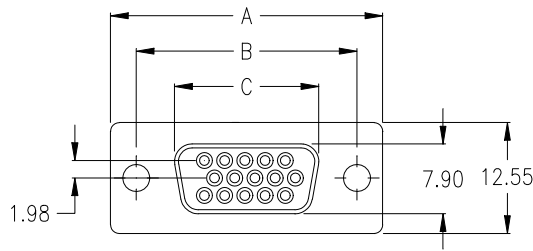
**Special product.**  
Please ask for availability and minimum order quantity before you consider the article for development, design in or production purposes.



**PCB Layout „male“**



female



Ordering Code

SHF - xxx - B111 - 55 / XXX

No. of contacts

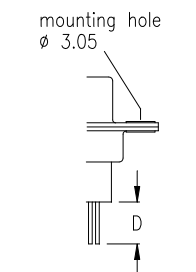
Option

Plating: -55 = gold

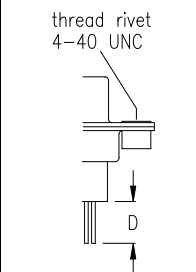
General Specification page 72

No. of contacts	Dimension		
	A	B	C
015	30.81	24.99	16.33
	1.213	.984	.643
026	39.14	33.32	24.66
	1.541	1.312	.971
044	53.04	47.04	38.38
	2.088	1.852	1.511
062	69.32	63.50	54.84
	2.729	2.500	2.159

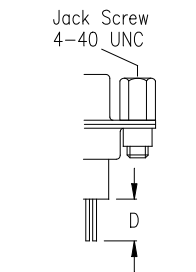
Options



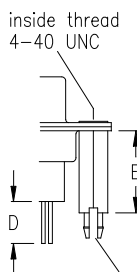
Standard:  
**T0** if „D“ = 5.30mm  
On request:  
**T02** if „D“ = 3.80mm



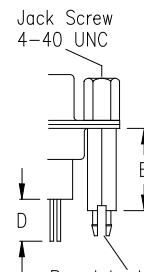
Standard:  
**T** if „D“ = 5.30mm  
On request:  
**T2** if „D“ = 3.80mm



Standard:  
**TJ** if „D“ = 5.30mm  
On request:  
**TJ2** if „D“ = 3.80mm



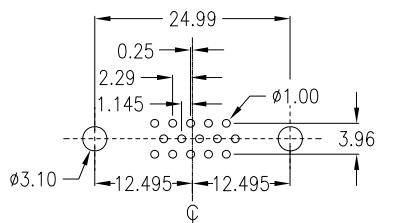
**BR**



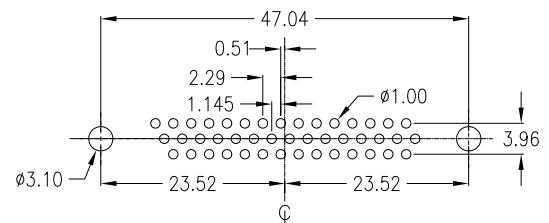
**BR J**

D	E	Option
3,80	9,60	<b>1</b>
5,30	11,00	<b>2</b>
7,20	12,70	<b>3</b>
7,40	13,50	<b>5</b>

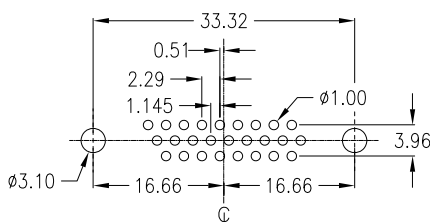
PCB Layout „female“



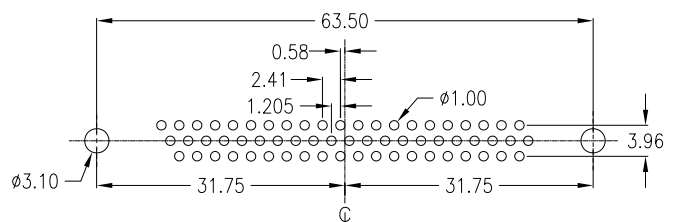
15 pin



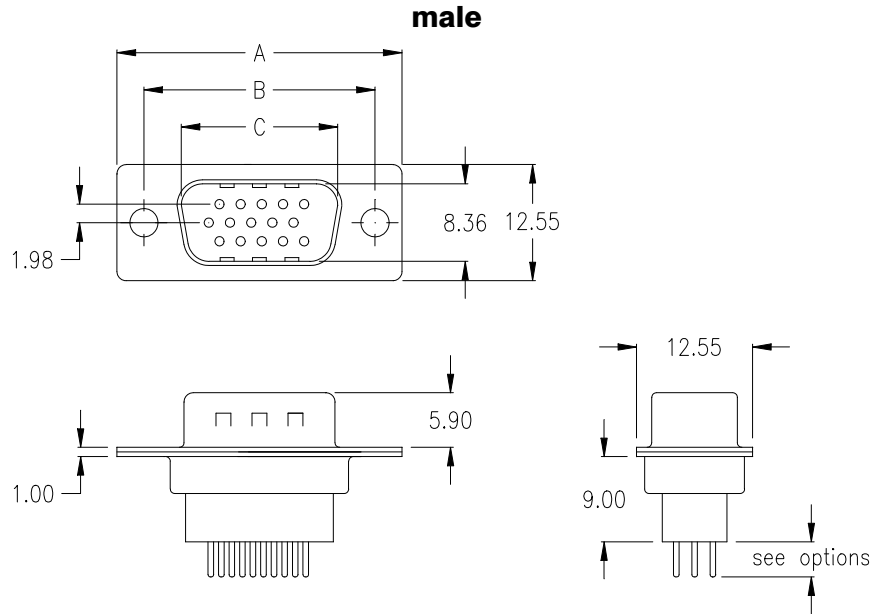
44 pin



26 pin



62 pin



**Ordering Code**

**SHM - xxx - B111 - 55 / XXX**

No. of contacts

Option

Plating: -55 = gold

General Specification page 72

No. of contacts	Dimension		
	A	B	C
015	30.81	24.99	16.92
	1.213	.984	.666
026	39.14	33.32	25.25
	1.541	1.312	.994
044	53.04	47.04	38.96
	2.088	1.852	1.534
062	69.32	63.50	55.42
	2.729	2.500	2.182

**Options**

	D	E	Option
mounting hole $\phi$ 3.05	3,80	9,60	1
thread rivet 4-40 UNC	5,30	11,00	2
Jack Screw 4-40 UNC	7,20	12,70	3
inside thread 4-40 UNC	7,40	13,50	5
Jack Screw 4-40 UNC			5

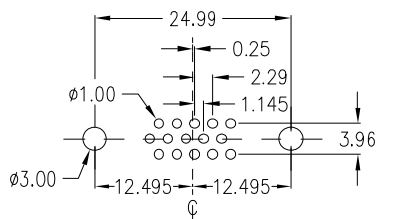
Standard: **T0** if „D“ = 5.30mm  
On request: **T02** if „D“ = 3.80mm

Standard: **T** if „D“ = 5.30mm  
On request: **T2** if „D“ = 3.80mm

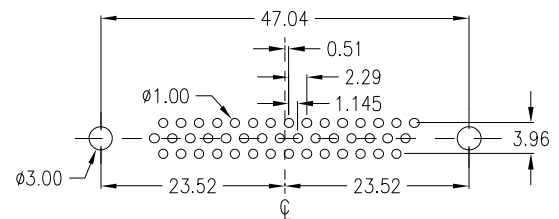
Standard: **TJ** if „D“ = 5.30mm  
On request: **TJ2** if „D“ = 3.80mm

Board Lock

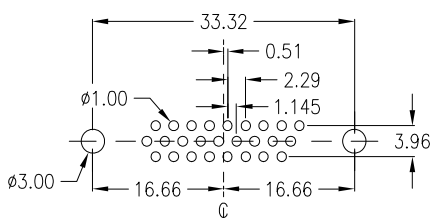
**PCB Layout „male“**



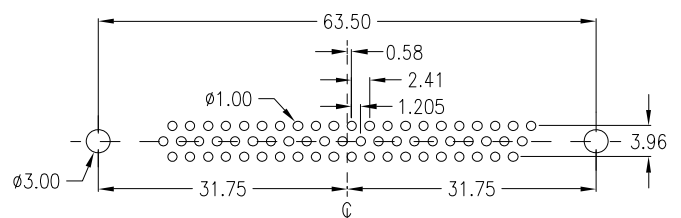
15 pin



44 pin



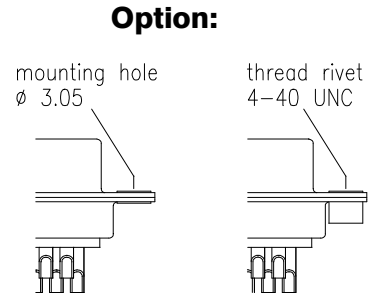
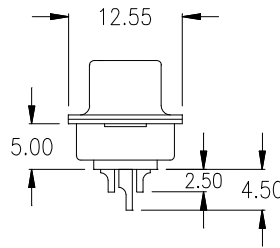
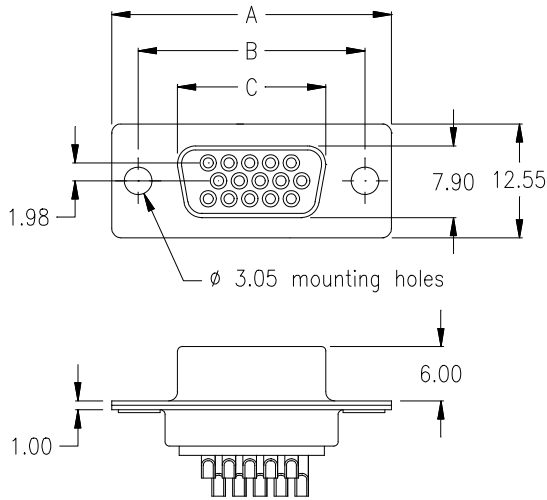
26 pin



62 pin



**female**



No. of contacts	Dimension		
	A	B	C
<b>015</b>	<u>30.81</u> 1.213	<u>24.99</u> .984	<u>16.33</u> .643
<b>026</b>	<u>39.14</u> 1.541	<u>33.32</u> 1.312	<u>24.66</u> .971
<b>044</b>	<u>53.04</u> 2.088	<u>47.04</u> 1.852	<u>38.38</u> 1.511
<b>062</b>	<u>69.32</u> 2.729	<u>63.50</u> 2.500	<u>54.84</u> 2.159

**Ordering Code**

**SHF - xxx - S101 - 95 / XX**

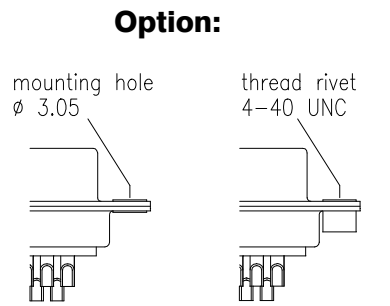
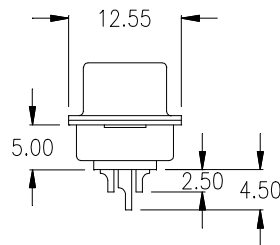
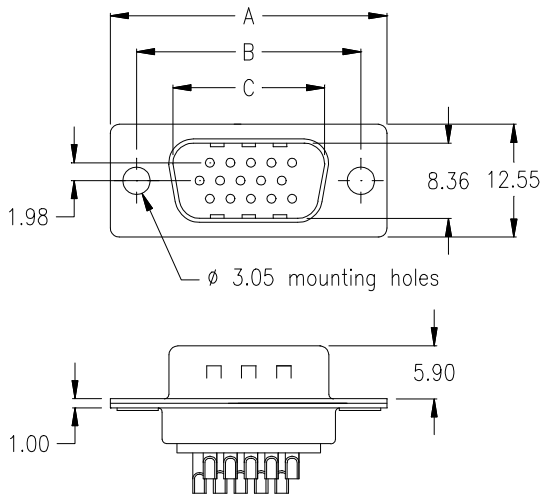
No. of contacts

Option

General Specification page 72

Plating: -95 = tin(leadfree)/gold

**male**



No. of contacts	Dimension		
	A	B	C
<b>015</b>	<u>30.81</u> 1.213	<u>24.99</u> .984	<u>16.92</u> .666
<b>026</b>	<u>39.14</u> 1.541	<u>33.32</u> 1.312	<u>25.25</u> .994
<b>044</b>	<u>53.04</u> 2.088	<u>47.04</u> 1.852	<u>38.96</u> 1.534
<b>062</b>	<u>69.32</u> 2.729	<u>63.50</u> 2.500	<u>55.42</u> 2.182

**Ordering Code**

**SHM - xxx - S101 - 95 / XX**

No. of contacts

Option

General Specification page 72

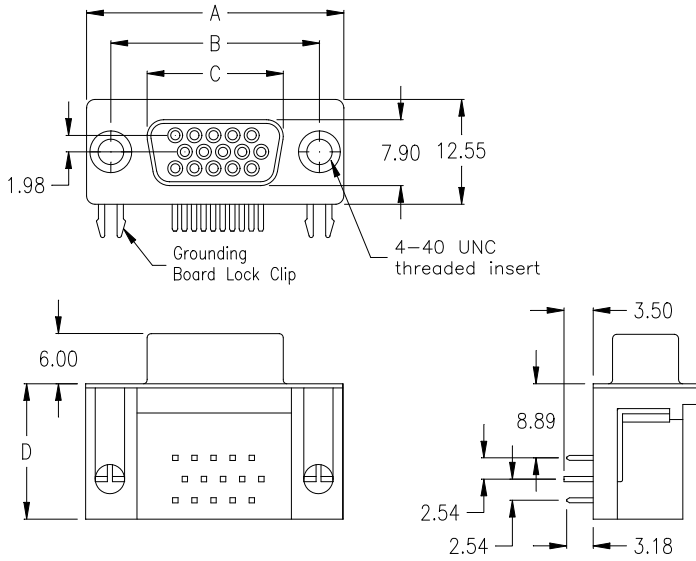
Plating: -95 = tin(leadfree)/gold

# SH Series - High Density D-Sub 90°

## F900 "Wave Solder" & "Pin-In-Paste" Technology

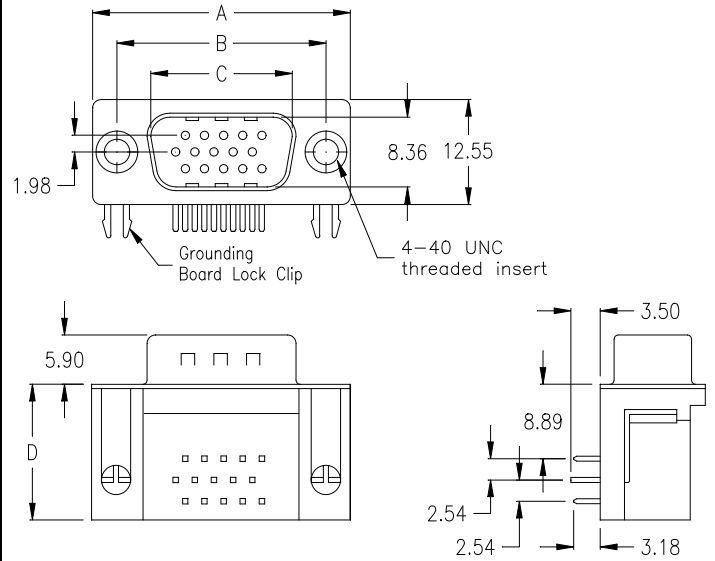


### female



PCB hole layout on page 38

### male



PCB hole layout on page 38

No. of contacts	Dimension				Ordering Code
	A	B	C	D	
015	30.81	24.99	16.33	16.22	<b>SHF-015-F900-55/ XX</b> <b>SHF-015-F900-95/V XX</b>
	1.213	.984	.643	.639	
026	39.14	33.32	24.66	16.22	<b>SHF-026-F900-55/ XX</b>
	1.541	1.311	.971	.639	
044	53.04	47.04	38.38	16.22	<b>SHF-044-F900-55/ XX</b>
	2.088	1.852	1.511	.639	
062	69.32	63.50	54.84	16.22	<b>SHF-062-F900-55/ XX</b>
	2.729	2.500	2.159	.639	

Plating: **-55** = gold/gold (not available for VESA Type)  
**-95** = tin(leadfree)/gold

Option

No. of contacts	Dimension				Ordering Code
	A	B	C	D	
015	30.81	24.99	16.92	16.22	<b>SHM-015-F900-55/ XX</b>
	1.213	.984	.666	.639	
026	39.14	33.32	25.25	16.22	<b>SHM-026-F900-55/ XX</b>
	1.541	1.311	.994	.639	
044	53.04	47.04	38.96	16.22	<b>SHM-044-F900-55/ XX</b>
	2.088	1.852	1.534	.639	
062	69.32	63.50	55.42	16.22	<b>SHM-062-F900-55/ XX</b>
	2.729	2.500	2.182	.639	

Plating: **-55** = gold/gold  
**-95** = tin(leadfree)/gold (only on request)

Option

**SHF - xxx - F900 - 95/V XX** = VESA Type – blue colour insulator  
Contact #9 recessed 1.27mm to allow last mate, first break on 5V supply

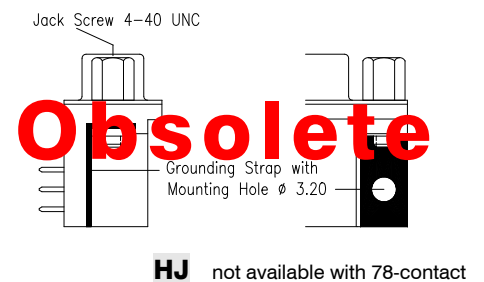
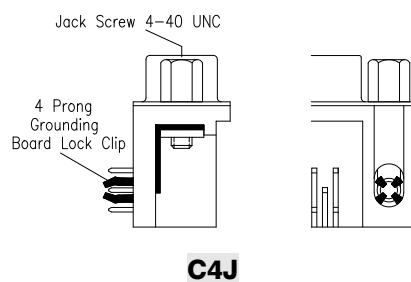
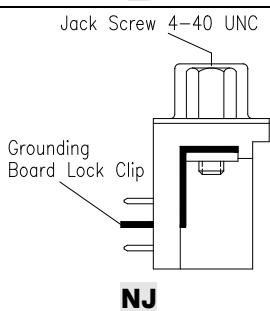
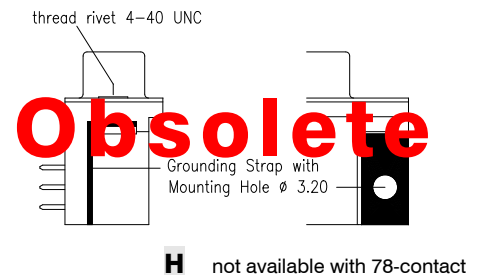
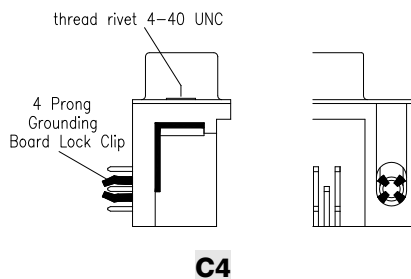
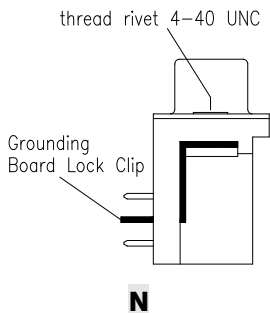
**"Pin-In-Paste" Technology** - for availability pls. contact [info@e-tec.com](mailto:info@e-tec.com)

General Specification page 72

## Options

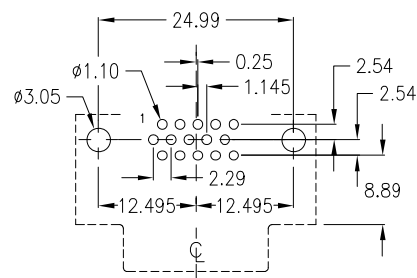
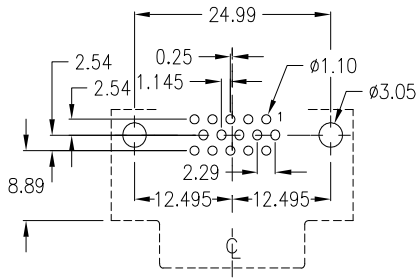
**Special product.**

**Please ask for availability and minimum order quantity before you consider the article for development, design in or production purposes.**



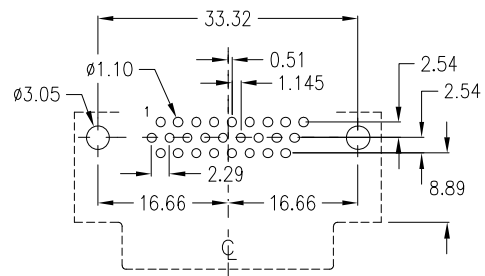
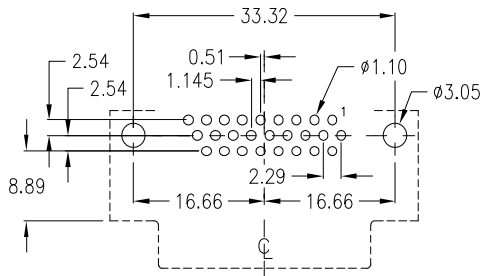
**female**

**male**



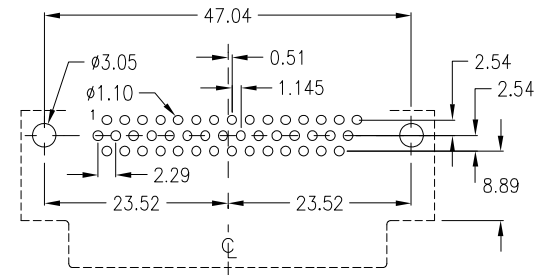
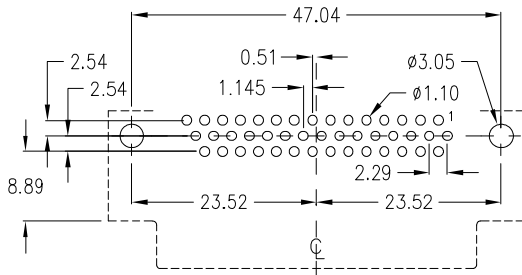
15-pin

15-pin



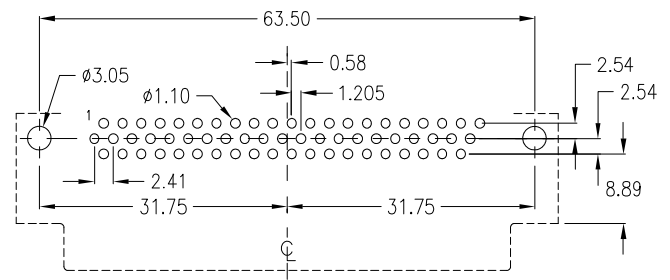
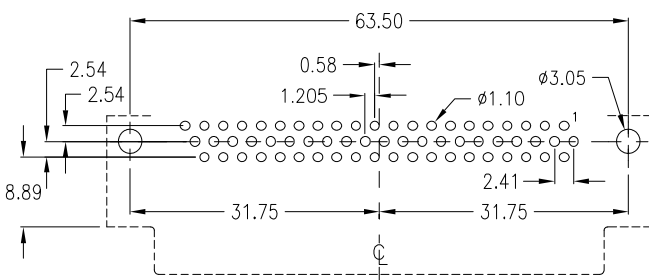
26-pin

26-pin



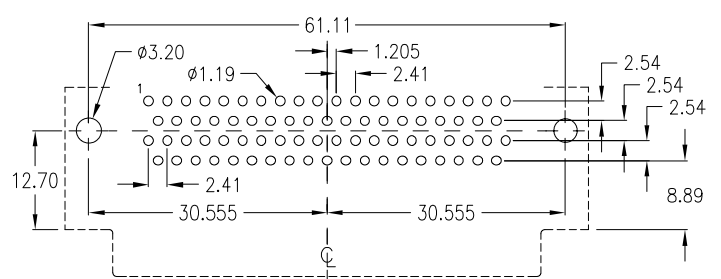
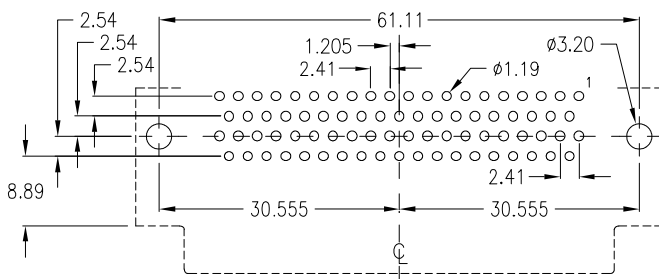
44-pin

44-pin



62-pin

62-pin

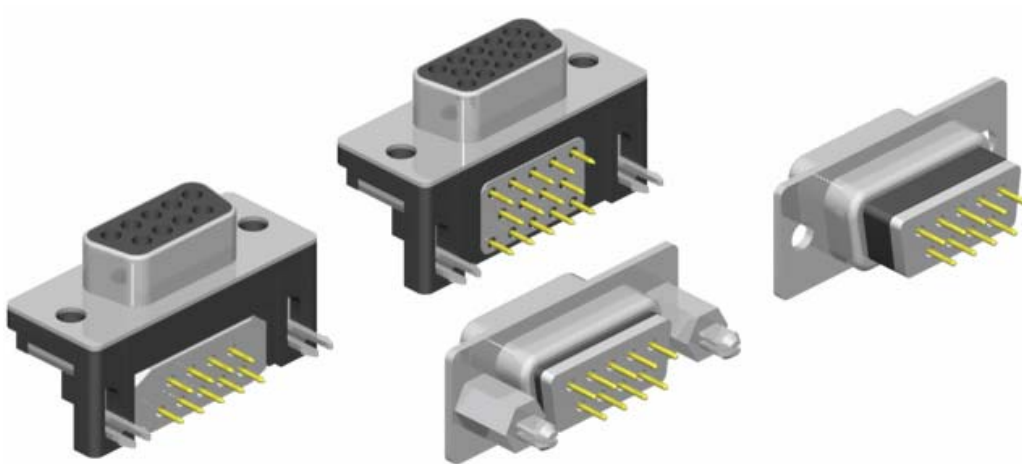


78-pin

78-pin

# Ferrite Filter

## D-Sub



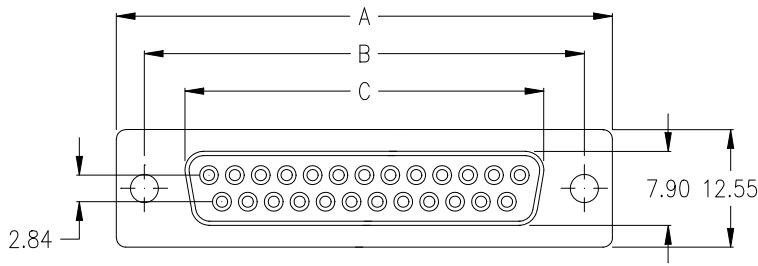
D-Sub Filter Connectors are the ideal solution to reduce or eliminate „electro magnetic interference“ ( EMI ).

Many different types, straight, right angle single and dual port, as well as High Density versions are available.

Capacitance D-Sub Filter Connectors are available on request.

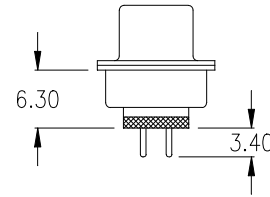
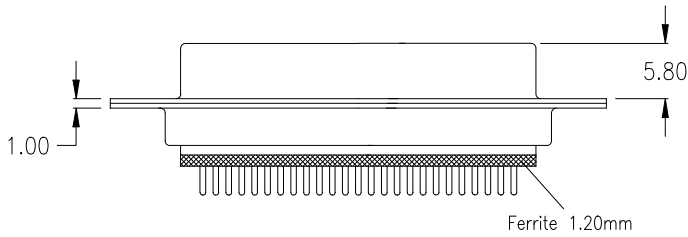
S111 standard soldertail type

female



FERRITE SPECIFICATION

No of Contact	Measured Value(OHM)	Test Frequency	Ferrite thickness
009	20 min. 40 min.	25 MHz 100 MHz	1.20mm
015	15 min. 35 min.	25 MHz 100 MHz	
025	15 min. 40 min.	25 MHz 100 MHz	
037	20 min. 50 min.	25 MHz 100 MHz	



Ordering Code

**SDF - xxx - S111 - 95 / F XXX**

No. of contacts

Option

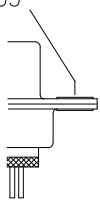
Plating: -95= tin(leadfree)/gold

General Specification page 72

No. of contacts	Dimension		
	A	B	C
<b>009</b>	<u>30.81</u> 1.213	<u>24.99</u> .984	<u>16.33</u> .643
<b>015</b>	<u>39.14</u> 1.541	<u>33.32</u> 1.312	<u>24.66</u> .971
<b>025</b>	<u>53.04</u> 2.088	<u>47.04</u> 1.852	<u>38.38</u> 1.511
<b>037</b>	<u>69.32</u> 2.729	<u>63.50</u> 2.500	<u>54.84</u> 2.159

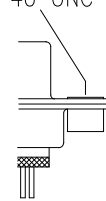
Options

mounting hole  
ø 3.05



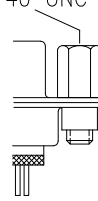
**T0**

thread rivet  
4-40 UNC



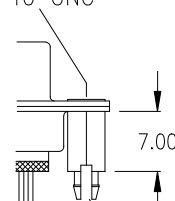
**T**

Jack Screw  
4-40 UNC



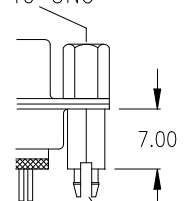
**TJ**

inside thread  
4-40 UNC



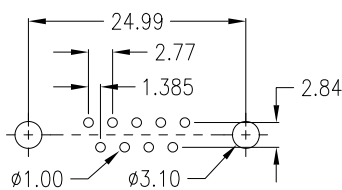
**BR**

Jack Screw  
4-40 UNC

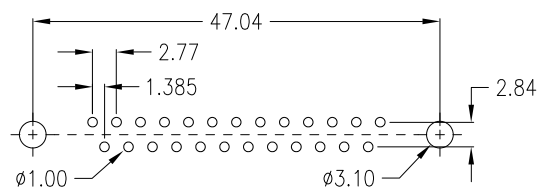


**BRJ**

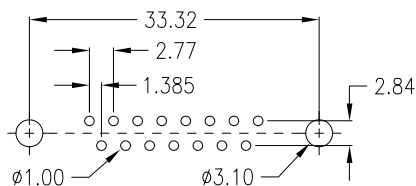
PCB Layout „female“



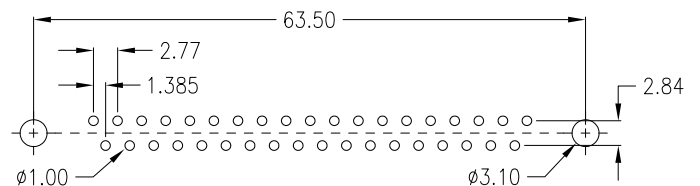
9 pin



25 pin



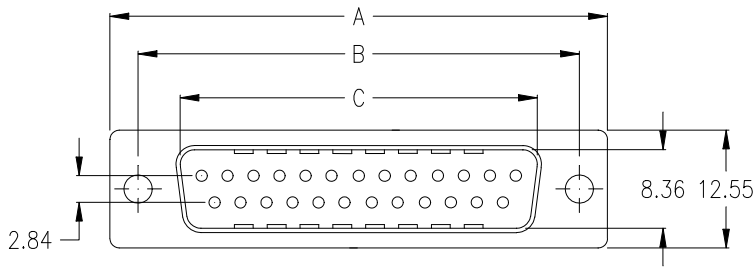
15 pin



37 pin

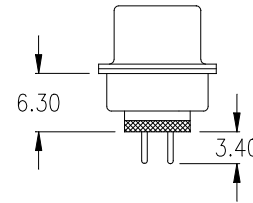
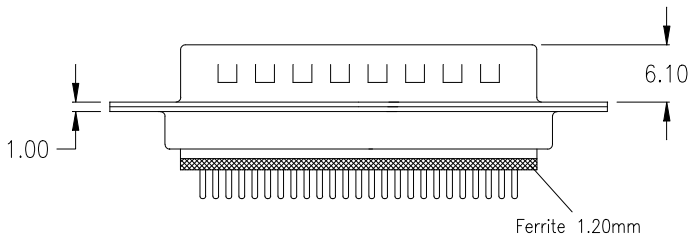
S111 standard soldertail type

male



FERRITE SPECIFICATION

No of Contact	Measured Value(OHM)	Test Frequency	Ferrite thickness
009	20 min. 40 min.	25 MHz 100 MHz	1.20mm
015	15 min. 35 min.	25 MHz 100 MHz	
025	15 min. 40 min.	25 MHz 100 MHz	
037	20 min. 50 min.	25 MHz 100 MHz	



Ordering Code

**SDM - xxx - S111 - 95 / F XXX**

No. of contacts

Option

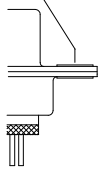
Plating: -95 = tin(leadfree)/gold

General Specification page 72

No. of contacts	Dimension		
	A	B	C
<b>009</b>	<u>30.81</u> 1.213	<u>24.99</u> .984	<u>16.92</u> .666
<b>015</b>	<u>39.14</u> 1.541	<u>33.32</u> 1.312	<u>25.25</u> .994
<b>025</b>	<u>53.04</u> 2.088	<u>47.04</u> 1.852	<u>38.96</u> 1.534
<b>037</b>	<u>69.32</u> 2.729	<u>63.50</u> 2.500	<u>55.42</u> 2.182

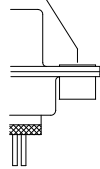
Options

mounting hole  
ø 3.05



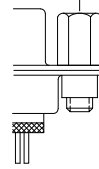
**T0**

thread rivet  
4-40 UNC



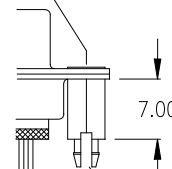
**T**

Jack Screw  
4-40 UNC



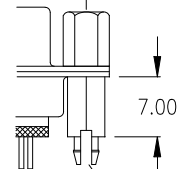
**TJ**

inside thread  
4-40 UNC



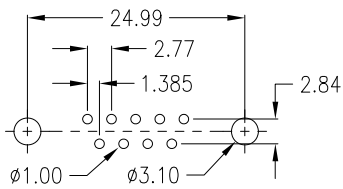
**BR**

Jack Screw  
4-40 UNC

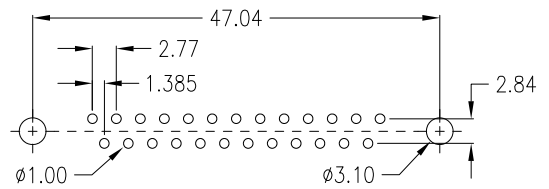


**BRJ**

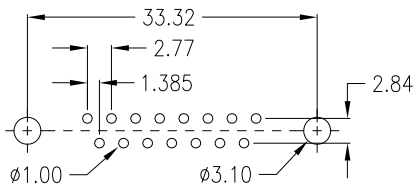
PCB Layout „male“



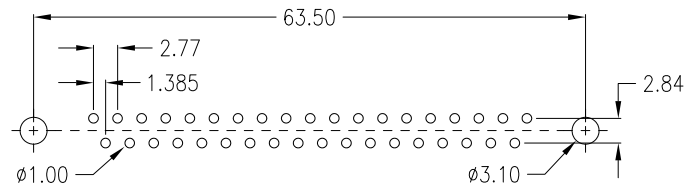
9 pin



25 pin

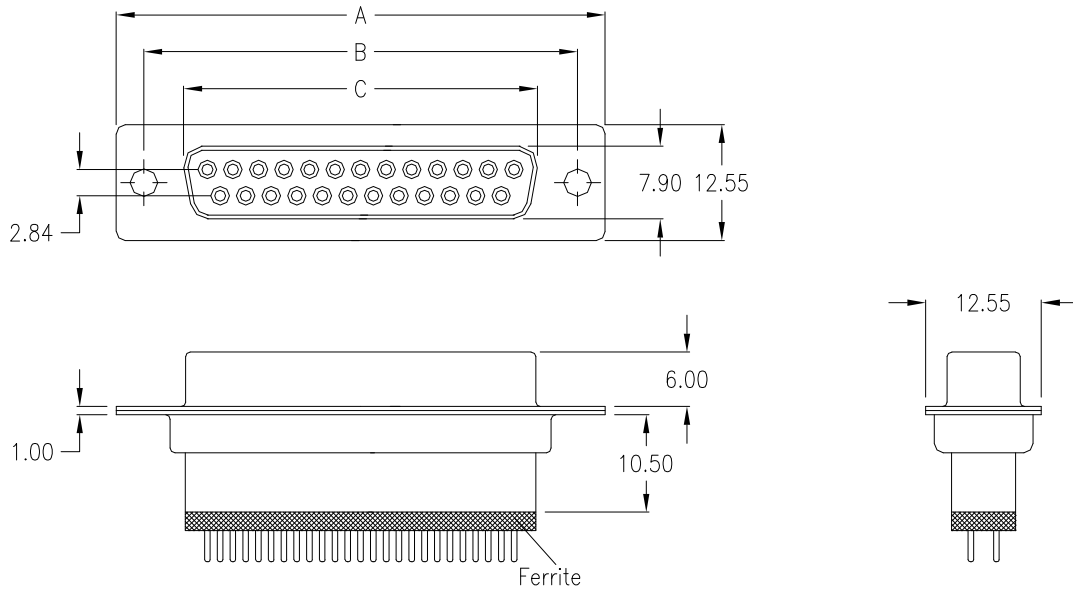


15 pin



37 pin

female



Ordering Code

**SDF - xxx - B111 - 95 / F XXX**

No. of contacts

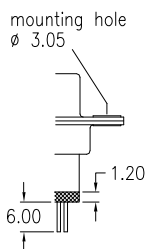
Option

Plating: -95 = tin(leadfree)/gold

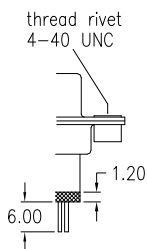
General Specification page 72

No. of contacts	Dimension		
	A	B	C
009	30.81	24.99	16.33
	1.213	.984	.643
015	39.14	33.32	24.66
	1.541	1.312	.971
025	53.04	47.04	38.38
	2.088	1.852	1.511

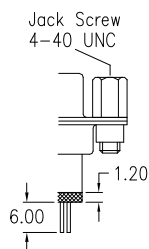
Options



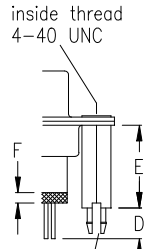
T0



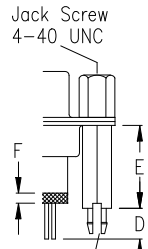
T



TJ



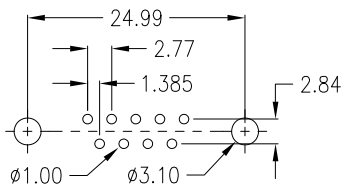
BR



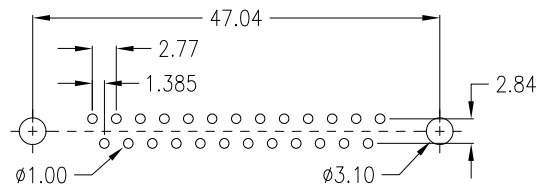
BRJ

D	E	F	Option
3.00	12,70	1.20	3
3.20	14,50	1.20	4

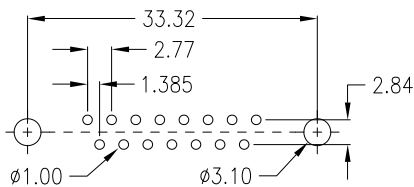
PCB Layout „female“



9 pin

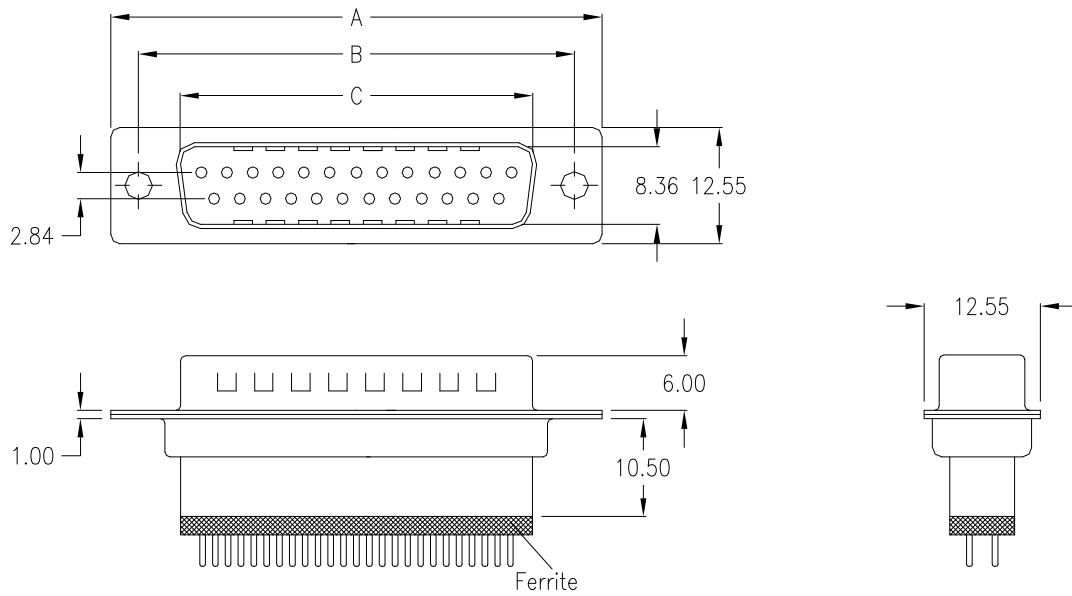


25 pin



15 pin

male



Ordering Code

**SDM - xxx - B111 - 95 / F XXX**

No. of contacts

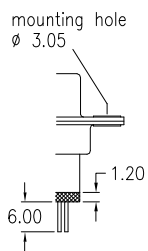
Option

Plating: -95 = tin(leadfree)/gold

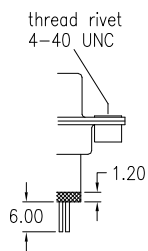
General Specification page 72

No. of contacts	Dimension		
	A	B	C
<b>009</b>	30.81 1.213	24.99 .984	16.92 .666
<b>015</b>	39.14 1.541	33.32 1.312	25.25 .994
<b>025</b>	53.04 2.088	47.04 1.852	38.96 1.534
<b>037</b>	69.32 2.729	63.50 2.500	55.42 2.182

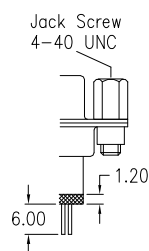
Options



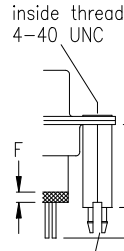
**T0**



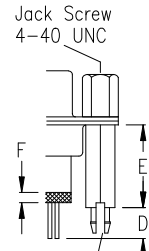
**T**



**TJ**



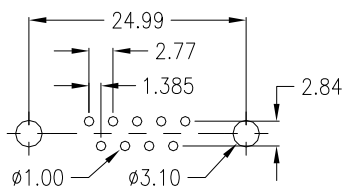
**BR**



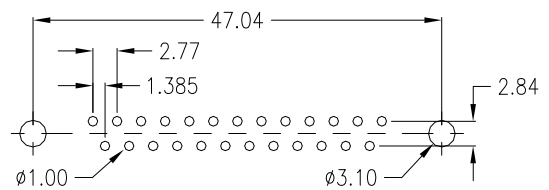
**BRJ**

D	E	F	Option
3.00	12,70	1.20	<b>3</b>
3.20	14,50	1.20	<b>4</b>

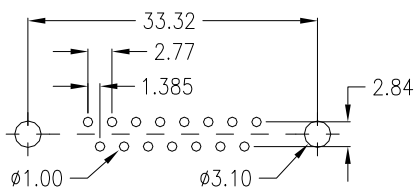
PCB Layout „male“



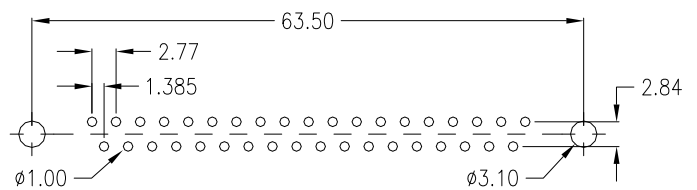
9 pin



25 pin



15 pin

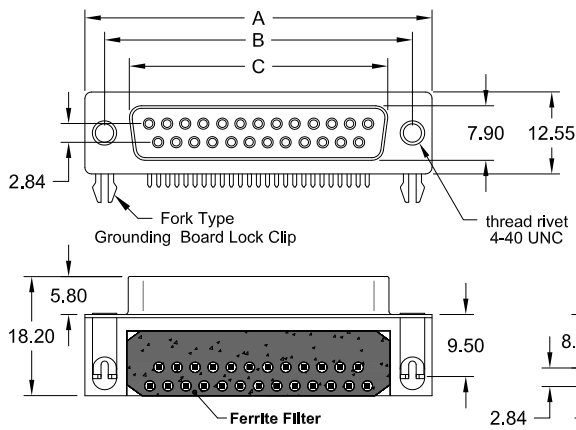


37 pin





**female**



PCB hole layout on page 29

No. of contacts	Dimension		
	A	B	C
<b>009</b>	30.81	24.99	16.33
	1.213	.984	.643
<b>015</b>	39.20	33.30	24.70
	1.543	1.311	.972
<b>025</b>	53.05	47.04	38.40
	2.088	1.852	1.512
<b>037</b>	69.40	63.50	54.80
	2.732	2.500	2.157

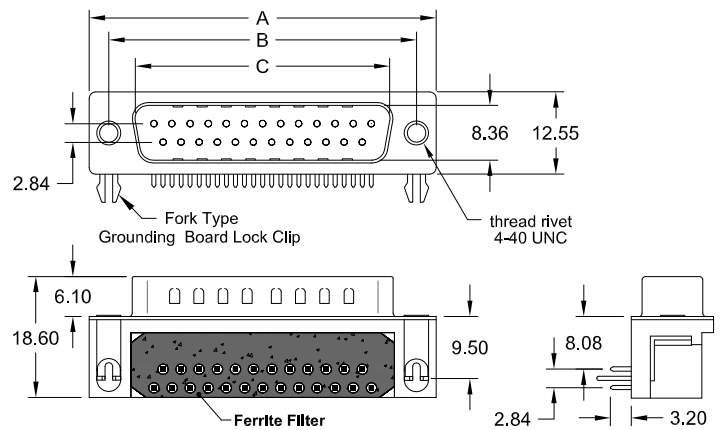
**Ordering Code**

**SFF - xxx - N900 - 95 / XX**

No. of contacts

Option

**male**



PCB hole layout on page 29

No. of contacts	Dimension		
	A	B	C
<b>009</b>	30.81	24.99	16.92
	1.213	.984	.666
<b>015</b>	39.20	33.30	25.25
	1.543	1.311	.994
<b>025</b>	53.05	47.04	38.96
	2.088	1.852	1.534
<b>037</b>	69.40	63.50	55.42
	2.732	2.500	2.182

**Ordering Code**

**SFM - xxx - N900 - 95 / XX**

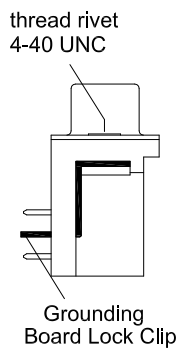
No. of contacts

Option

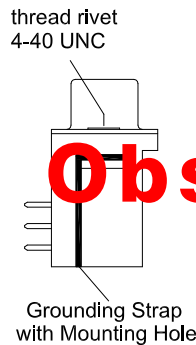
Plating: -95 = tin(leadfree)/gold

General Specification page 72

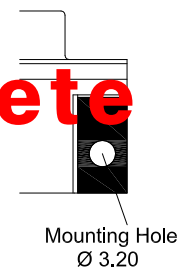
**Options**



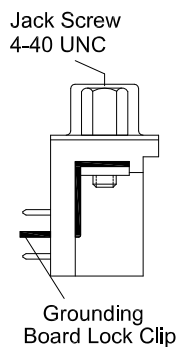
**N**



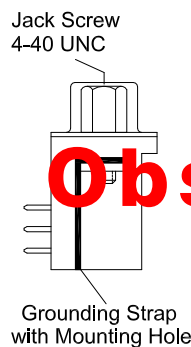
**H**



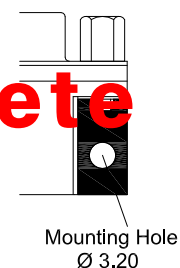
**Obsolete**



**NJ**

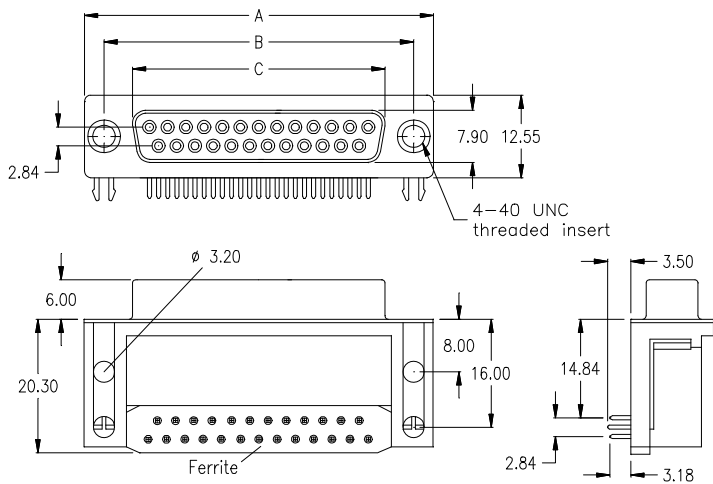


**HJ**



**Obsolete**

**female**



PCB hole layout on page 29

No. of contacts	Dimension		
	A	B	C
009	30.81	24.99	16.33
	1.213	.984	.643
015	39.14	33.32	24.66
	1.541	1.312	.971
025	50.04	47.04	38.38
	1.988	1.852	1.511
037	69.32	63.32	54.82
	2.729	2.512	2.159

Obsolete

**Ordering Code**

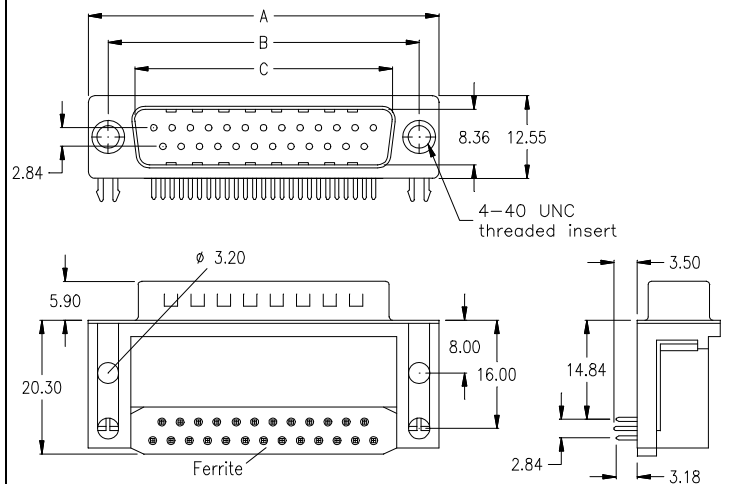
**SFF - xxx - L900 - 95 / XX**

No. of contacts

Option

Plating: -95 = tin(leadfree)/gold

**male**



PCB hole layout on page 29

No. of contacts	Dimension		
	A	B	C
009	30.81	24.99	16.92
	1.213	.984	.666
015	39.14	33.32	25.25
	1.541	1.312	.994
025	50.04	47.04	38.96
	1.988	1.852	1.534
037	69.32	63.32	55.42
	2.729	2.512	2.182

**Ordering Code**

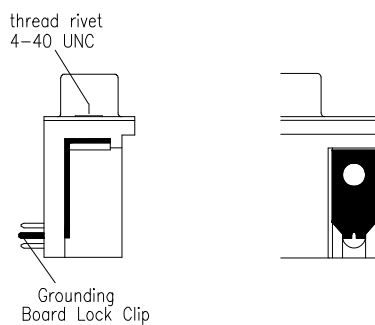
**SFM - xxx - L900 - 95 / XX**

No. of contacts

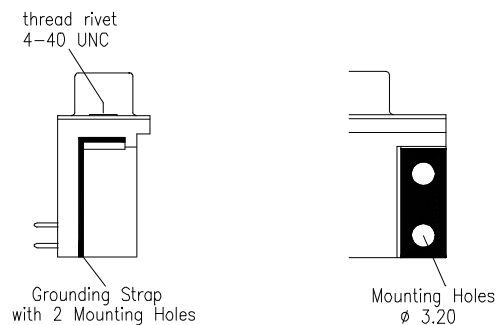
Option

General Specification page 72

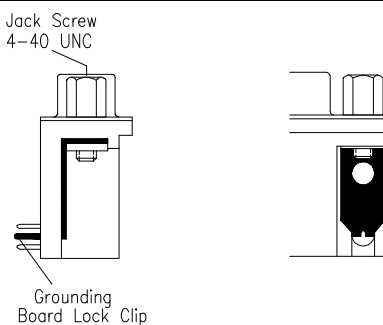
**Options**



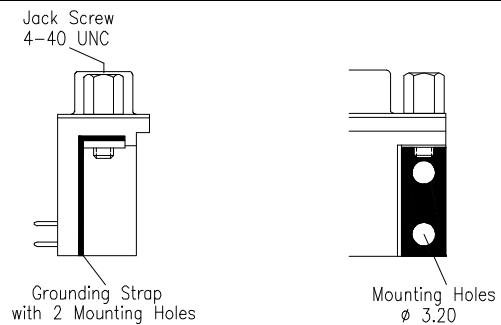
**P**



**L**

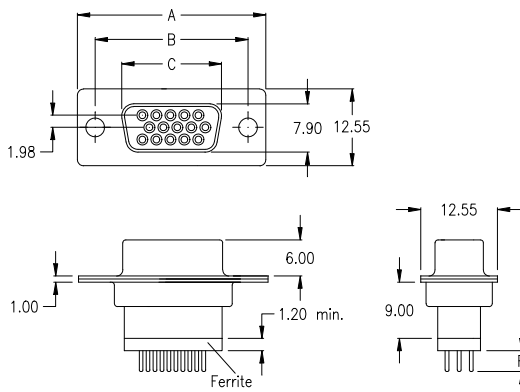


**PJ**



**LJ**

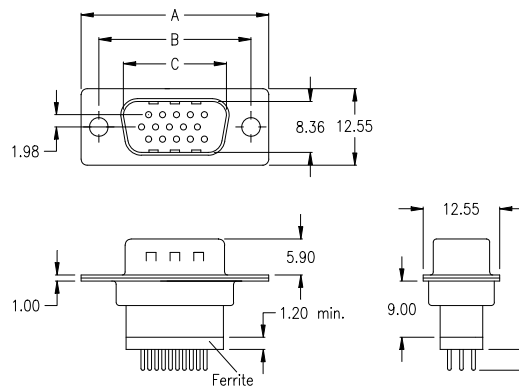
**female**



No. of contacts	Dimension		
	A	B	C
<b>015</b>	30.81	24.99	16.33
	1.213	.984	.643
<b>026</b>	39.14	33.32	24.66
	1.541	1.3	.971
<b>044</b>	50.04	47.00	38.30
	1.988	1.8	1.51
<b>062</b>	63.50	63.50	54.81
	2.5	2.5	2.159

**Obsolete**

**male**



No. of contacts	Dimension		
	A	B	C
<b>015</b>	30.81	24.99	16.92
	1.213	.984	.666

**Ordering Code**  
SHF - xxx - B 111 - 95 / F XX

No. of contacts

Option

Plating: -95 = tin(leadfree)/gold -55 = gold all over

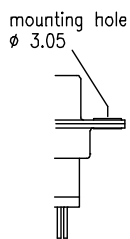
**Ordering Code**  
SHM - 015 - B 111 - 55 / F XX

No. of contacts

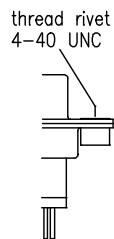
Option

General Specification page 72

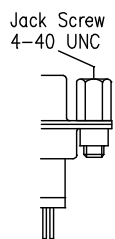
**Options**



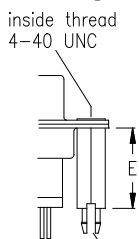
**T0**



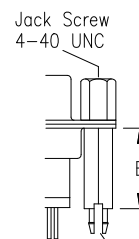
**T**



**TJ**



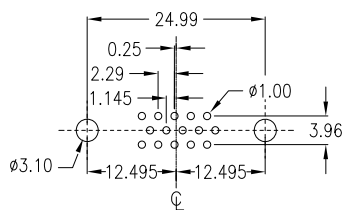
**BR**



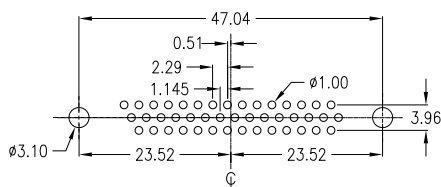
**BR J**

E	F	Option
12,70	4.60	<b>3</b>
14,50	5.20	<b>4</b>

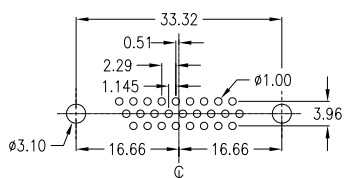
**PCB Layout „female“**



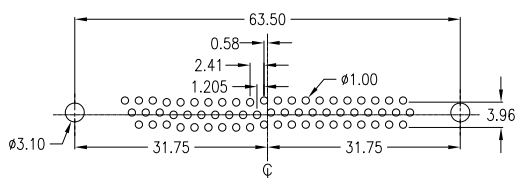
15 pin



44 pin

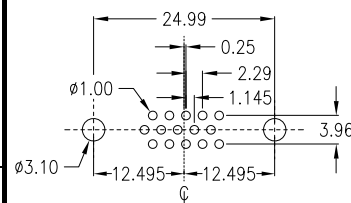


26 pin



62 pin

**PCB Layout „male“**

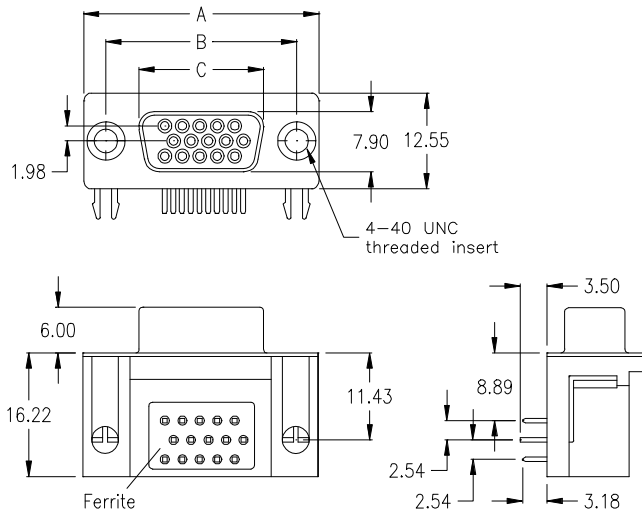


15 pin

# SH Series - High Density D-Sub 90° F900 with Ferrite Filter



## female



PCB hole layout on page 38

No. of contacts	Dimension		
	A	B	C
015	30.81	24.99	16.33
	1.213	.984	.643
026	39.14	33.32	24.66
	1.541	1.312	.971
044	47.04	38.38	28.96
	1.888	1.511	1.134
062	54.84	45.72	35.42
	2.159	1.815	1.390

# Obsolete

### Ordering Code

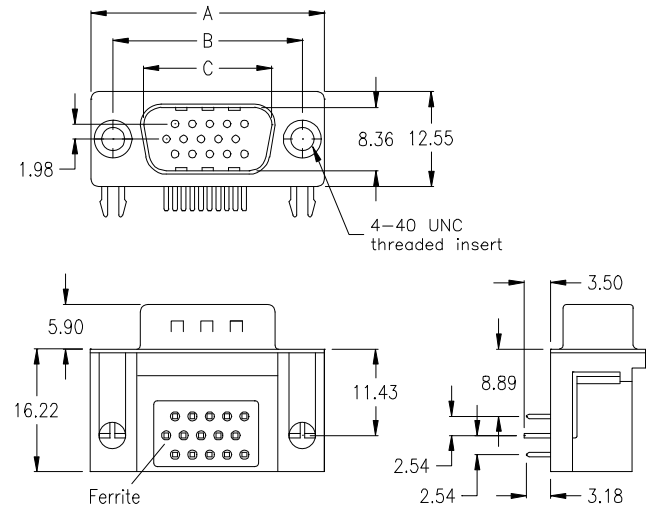
**SHF - xxx - F 900 - 95 / F XX**

No. of contacts

Option

Plating: -95 = tin(leadfree)/gold

## male



PCB hole layout on page 38

No. of contacts	Dimension		
	A	B	C
015	30.81	24.99	16.92
	1.213	.984	.666
026	39.14	33.32	25.25
	1.541	1.312	.994
044	47.04	38.38	28.96
	1.888	1.511	1.134
062	54.84	45.72	35.42
	2.159	1.815	1.390

### Ordering Code

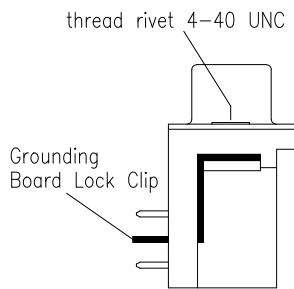
**SHM - xxx - F 900 - 95 / F XX**

No. of contacts

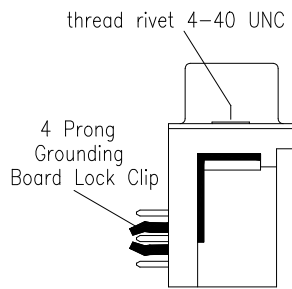
Option

General Specification page 72

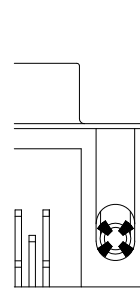
## Options



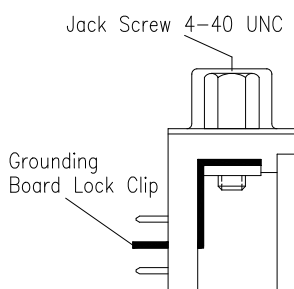
**N**



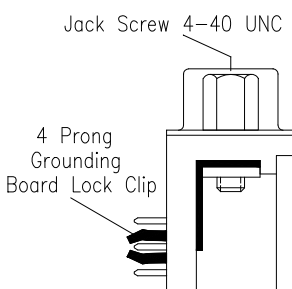
**C4**



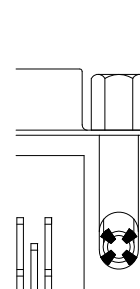
**H**



**NJ**

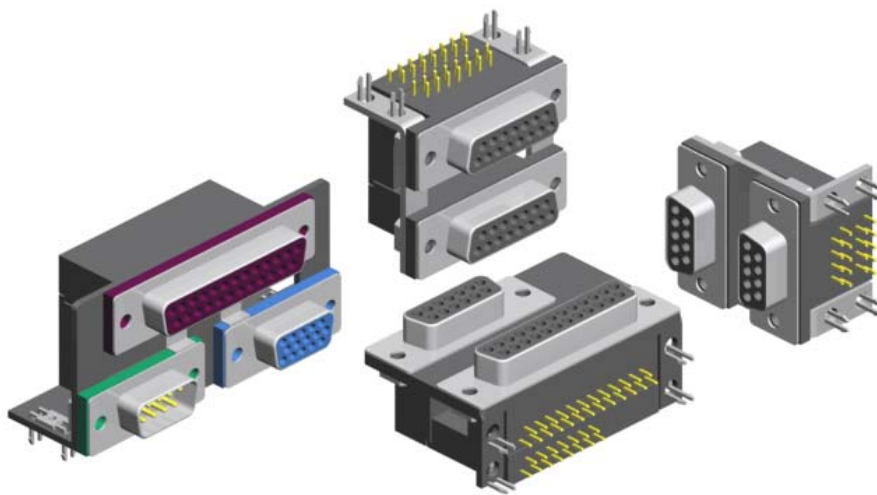


**C4J**



**HJ**

# Multi Port D-Sub



Multi Port D-Sub Connectors are available with a wide combination of different D-Sub types, standard and high density, with and without ferrite filter.

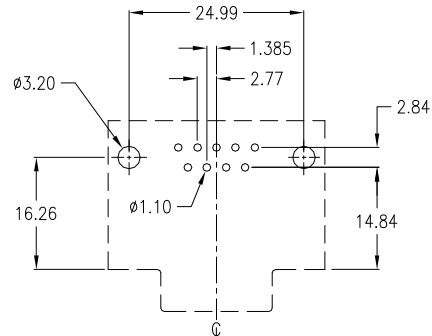
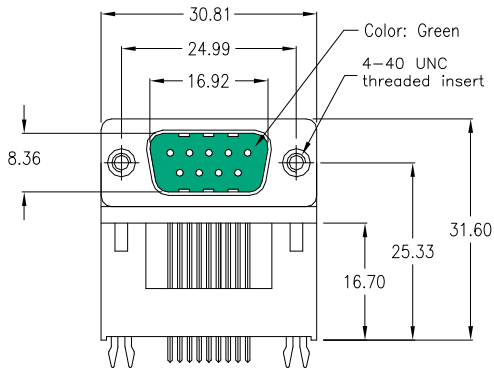
In addition, Triple Port D-Sub's are also available which meet the PC 99 Specification.

These Multi Port D-Sub's can be used on motherboards, as well as for any other electronic design purposes.

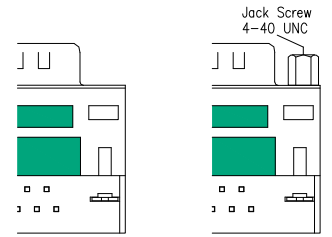
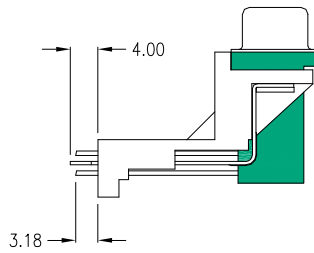
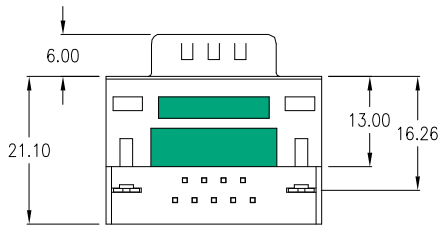
Please contact E-tec for any other Multi Port D-Sub Connector styles not shown in the following pages and/or for any other PCB layout styles.

Certain alternative styles can also be viewed on [www.e-tec.com](http://www.e-tec.com)

**9-pin male raised**



PCB hole layout



Style "-MN"

Style "-MNJ"

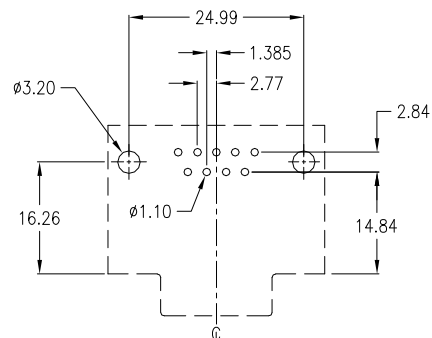
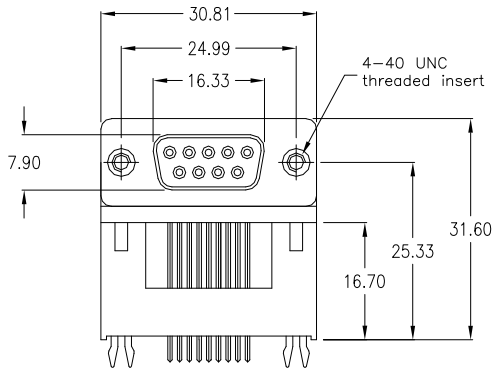
with 2 grounding clips;  
w/o jack screws  
*Standard*  
( as above drawing )

with 2 grounding clips;  
2 jack screws 4-40 UNC  
mounted  
*Option*

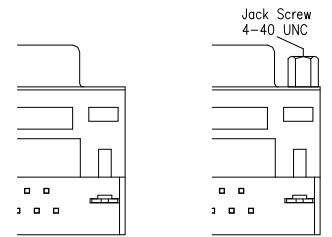
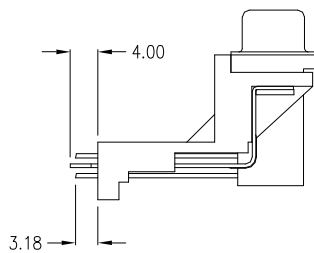
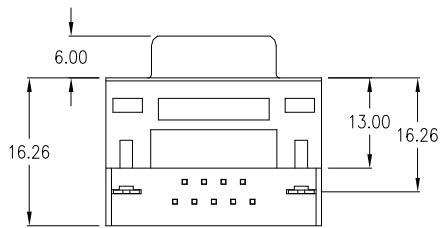
SDD-0900-2-95-MN

SDD-0900-2-95-MNJ

**9-pin female raised**



PCB hole layout



Style "-FN"

Style "-FNJ"

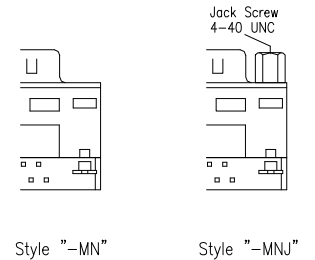
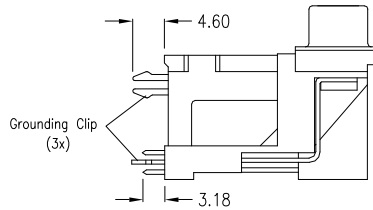
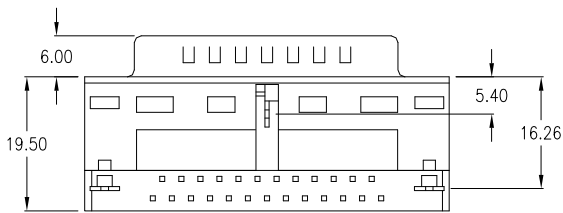
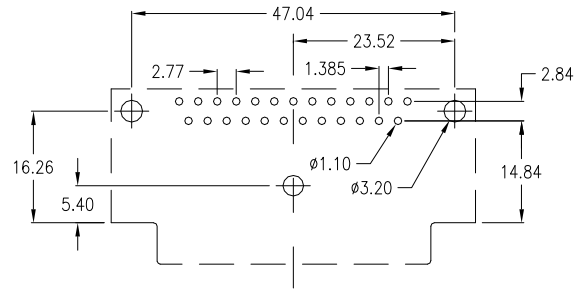
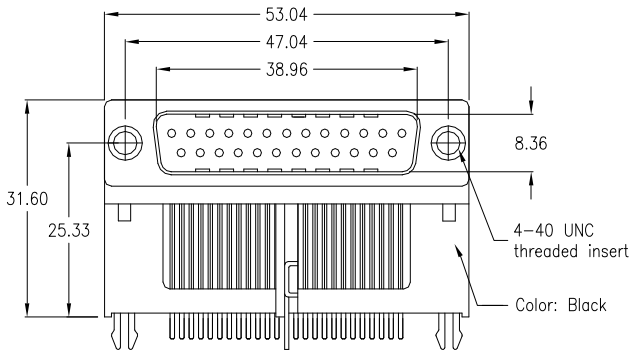
with 2 grounding clips;  
w/o jack screws  
*Standard*  
( as above drawing )

with 2 grounding clips;  
2 jack screws 4-40 UNC  
mounted  
*Option*

SDD-0900-2-95-FN

SDD-0900-2-95-FNJ

**25-pin male raised**



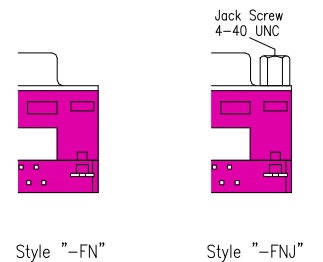
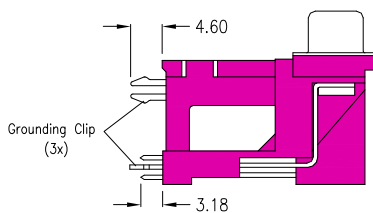
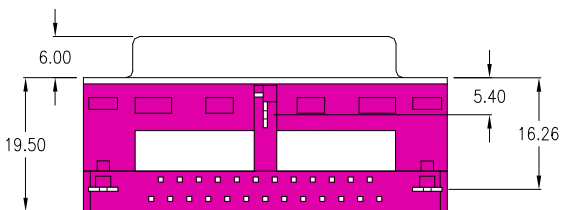
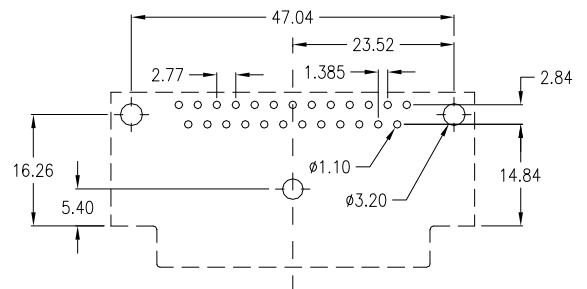
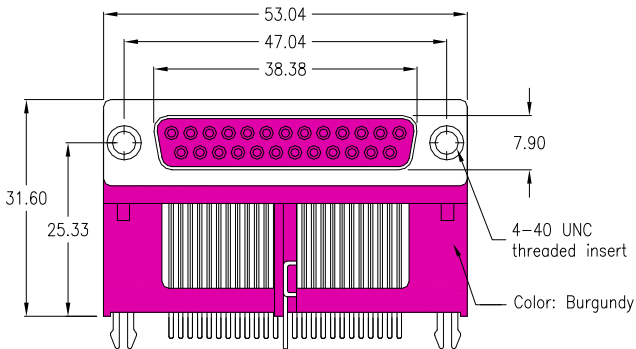
with 3 grounding clips;  
w/o jack screws  
*Standard*  
( as above drawing )

with 3 grounding clips;  
2 jack screws 4-40 UNC  
mounted  
*Option*

SDD-2500-2-95-MN

SDD-2500-2-95-MNJ

**25-pin female raised**



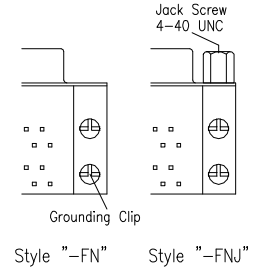
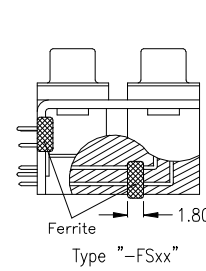
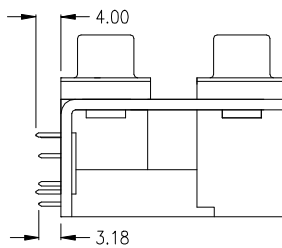
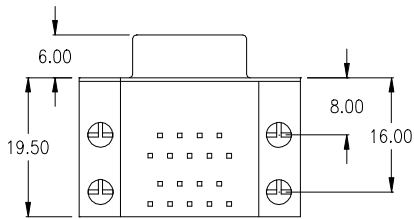
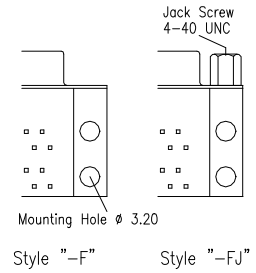
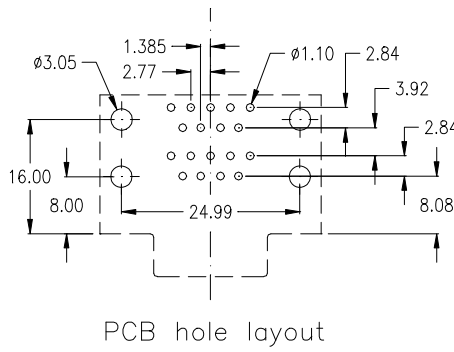
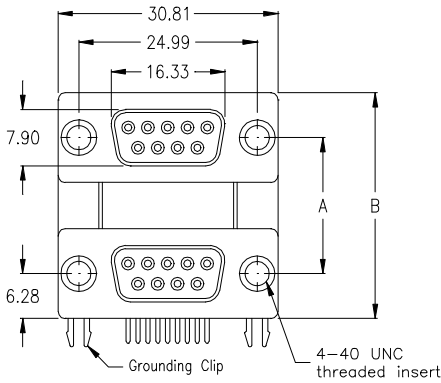
with 3 grounding clips;  
w/o jack screws  
*Standard*  
( as above drawing )

with 3 grounding clips;  
2 jack screws 4-40 UNC  
mounted  
*Option*

SDD-2500-2-95-FN

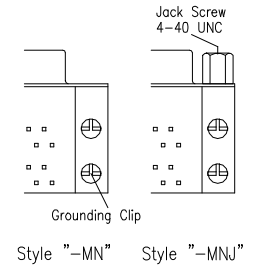
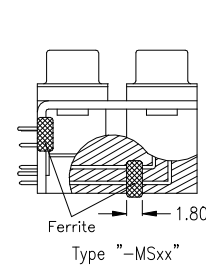
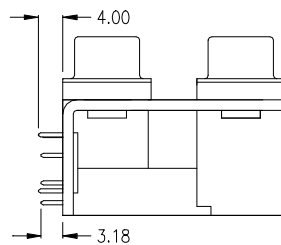
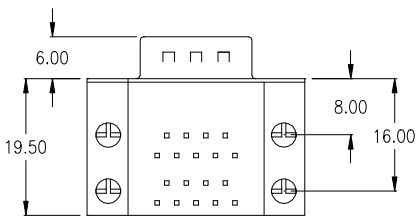
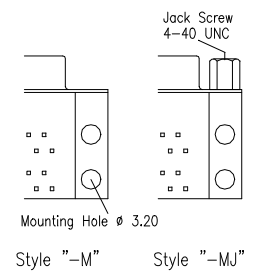
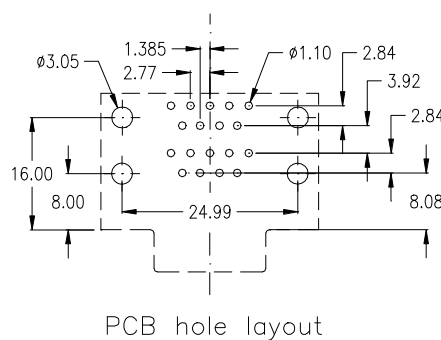
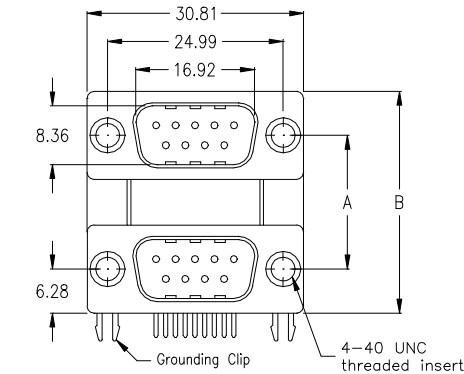
SDD-2500-2-95-FNJ

**9-pin female / 9-pin female**



without grounding clips just 4 mounting holes	without grounding clips, just 4 mounting holes; 4 jack screws 4-40 UNC mounted	with 4 grounding clips (as above drawing)	with 4 grounding clips; 4 jack screws 4-40 UNC mounted	Distance Dimensions	
SDD-0909-1-95-F	SDD-0909-1-95-FJ	SDD-0909-1-95-FN	SDD-0909-1-95-FNJ	„A“ = 22.86	„B“ = 35.41
SDD-0909-2-95-F	SDD-0909-2-95-FJ	SDD-0909-2-95-FN	SDD-0909-2-95-FNJ	„A“ = 19.05	„B“ = 31.60
SDD-0909-3-95-F	SDD-0909-3-95-FJ	SDD-0909-3-95-FN	SDD-0909-3-95-FNJ	„A“ = 15.87	„B“ = 28.42
if with Ferrite Filter: -FS	if with Ferrite Filter: -FSJ	if with Ferrite Filter: -FSN	if with Ferrite Filter: -FSNJ		

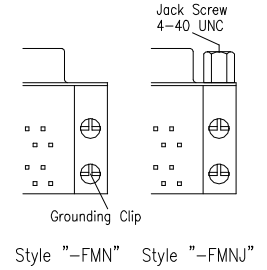
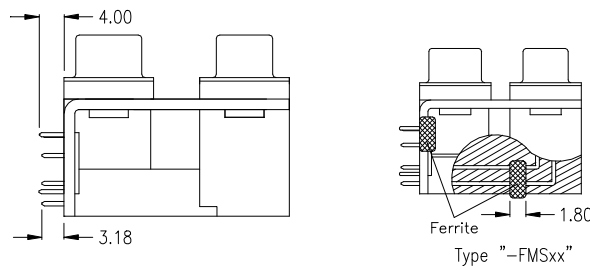
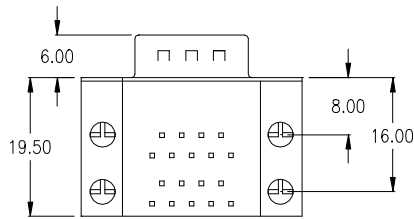
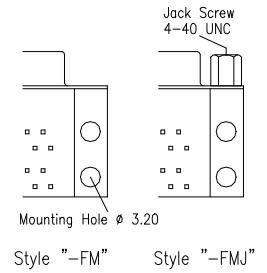
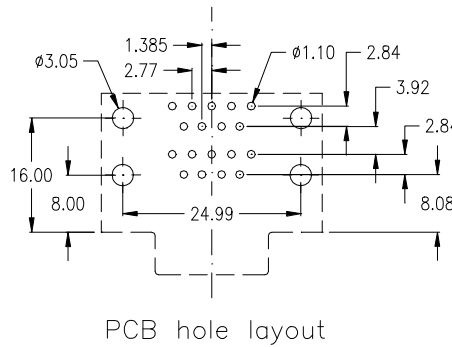
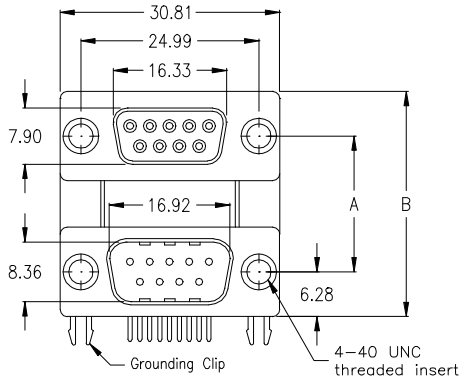
**9-pin male / 9-pin male**



without grounding clips just 4 mounting holes	without grounding clips, just 4 mounting holes; 4 jack screws 4-40 UNC mounted	with 4 grounding clips (as above drawing)	with 4 grounding clips; 4 jack screws 4-40 UNC mounted	Distance Dimensions	
SDD-0909-1-95-M	SDD-0909-1-95-MJ	SDD-0909-1-95-MN	SDD-0909-1-95-MNJ	„A“ = 22.86	„B“ = 35.41
SDD-0909-2-95-M	SDD-0909-2-95-MJ	SDD-0909-2-95-MN	SDD-0909-2-95-MNJ	„A“ = 19.05	„B“ = 31.60
SDD-0909-3-95-M	SDD-0909-3-95-MJ	SDD-0909-3-95-MN	SDD-0909-3-95-MNJ	„A“ = 15.87	„B“ = 28.42
if with Ferrite Filter: -MS	if with Ferrite Filter: -MSJ	if with Ferrite Filter: -MSN	if with Ferrite Filter: -MSNJ		

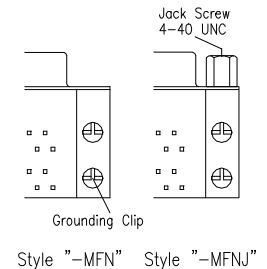
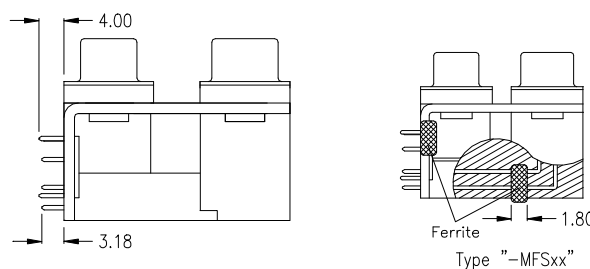
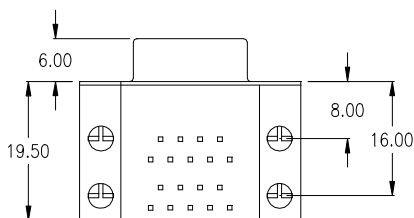
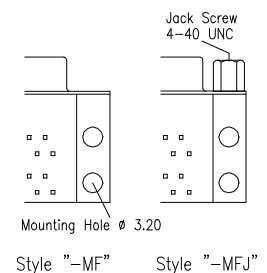
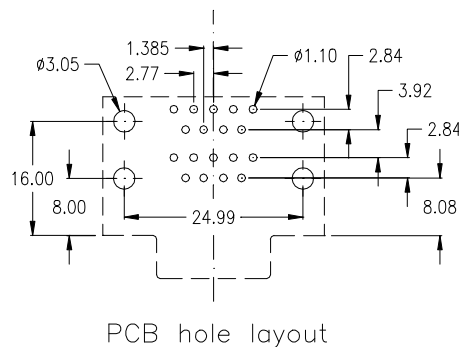
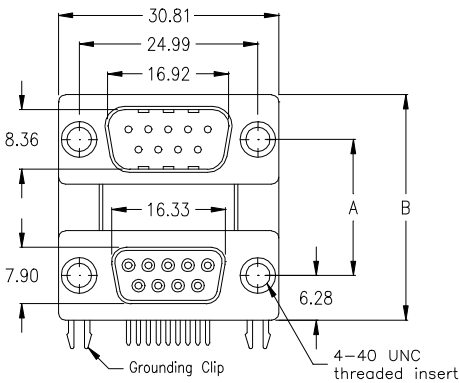


**9-pin female / 9-pin male**



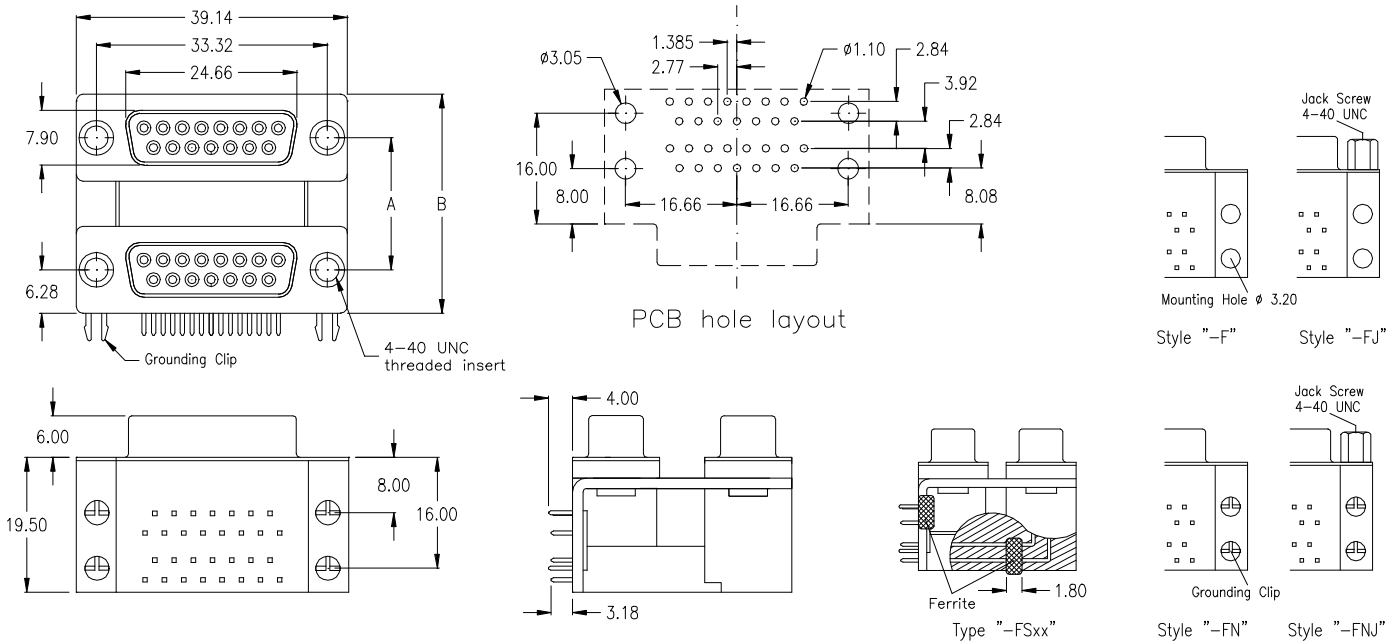
without grounding clips just 4 mounting holes	without grounding clips, just 4 mounting holes; 4 jack screws 4-40 UNC mounted	with 4 grounding clips ( as above drawing )	with 4 grounding clips; 4 jack screws 4-40 UNC mounted	Distance Dimensions
SDD-0909-1-95-FM	SDD-0909-1-95-FMJ	SDD-0909-1-95-FMN	SDD-0909-1-95-FMNJ	„A“ = 22.86 „B“ = 35.41
SDD-0909-2-95-FM	SDD-0909-2-95-FMJ	SDD-0909-2-95-FMN	SDD-0909-2-95-FMNJ	„A“ = 19.05 „B“ = 31.60
SDD-0909-3-95-FM	SDD-0909-3-95-FMJ	SDD-0909-3-95-FMN	SDD-0909-3-95-FMNJ	„A“ = 15.87 „B“ = 28.42
if with Ferrite Filter: -FMS	if with Ferrite Filter: -FMSJ	if with Ferrite Filter: -FMSN	if with Ferrite Filter: -FMSNJ	

**9-pin male / 9-pin female**



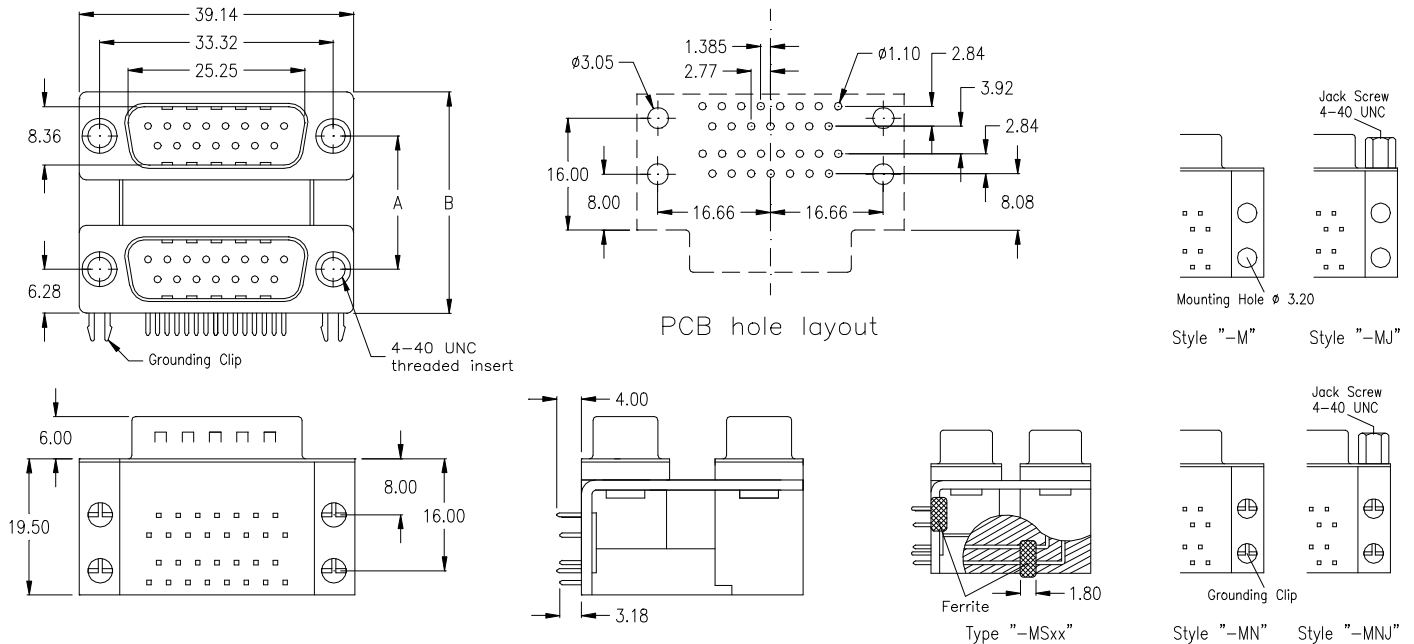
without grounding clips just 4 mounting holes	without grounding clips, just 4 mounting holes; 4 jack screws 4-40 UNC mounted	with 4 grounding clips ( as above drawing )	with 4 grounding clips; 4 jack screws 4-40 UNC mounted	Distance Dimensions
SDD-0909-1-95-MF	SDD-0909-1-95-MFJ	SDD-0909-1-95-MFN	SDD-0909-1-95-MFNJ	„A“ = 22.86 „B“ = 35.41
SDD-0909-2-95-MF	SDD-0909-2-95-MFJ	SDD-0909-2-95-MFN	SDD-0909-2-95-MFNJ	„A“ = 19.05 „B“ = 31.60
SDD-0909-3-95-MF	SDD-0909-3-95-MFJ	SDD-0909-3-95-MFN	SDD-0909-3-95-MFNJ	„A“ = 15.87 „B“ = 28.42
if with Ferrite Filter: -MFS	if with Ferrite Filter: -MFSJ	if with Ferrite Filter: -MFSN	if with Ferrite Filter: -MFSNJ	

**15-pin female / 15-pin female**



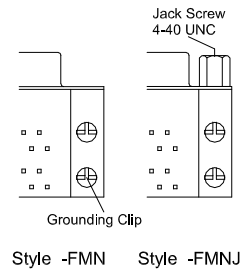
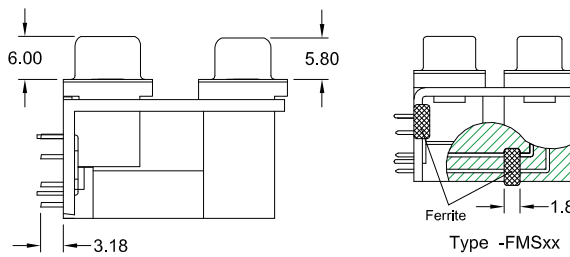
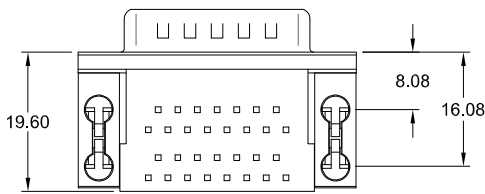
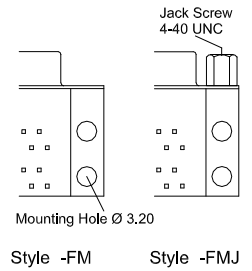
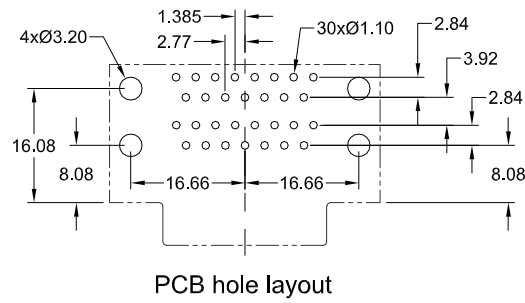
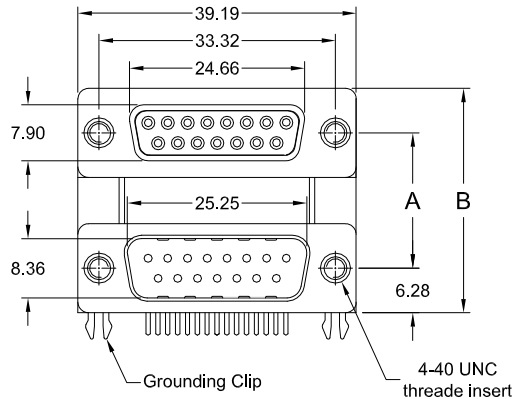
without grounding clips just 4 mounting holes	without grounding clips, just 4 mounting holes; 4 jack screws 4-40 UNC mounted	with 4 grounding clips (as above drawing)	with 4 grounding clips; 4 jack screws 4-40 UNC mounted	Distance Dimensions
SDD-1515-1-95-F	SDD-1515-1-95-FJ	SDD-1515-1-95-FN	SDD-1515-1-95-FNJ	„A“ = 22.86 „B“ = 35.41
SDD-1515-2-95-F	SDD-1515-2-95-FJ	SDD-1515-2-95-FN	SDD-1515-2-95-FNJ	„A“ = 19.05 „B“ = 31.60
SDD-1515-3-95-F	SDD-1515-3-95-FJ	SDD-1515-3-95-FN	SDD-1515-3-95-FNJ	„A“ = 15.87 „B“ = 28.42
if with Ferrite Filter: -FS	if with Ferrite Filter: -FSJ	if with Ferrite Filter: -FSN	if with Ferrite Filter: -FSNJ	

**15-pin male / 15-pin male**



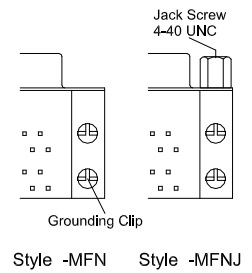
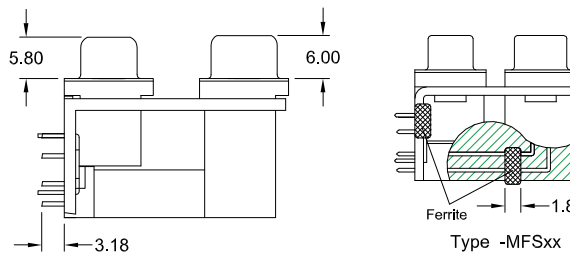
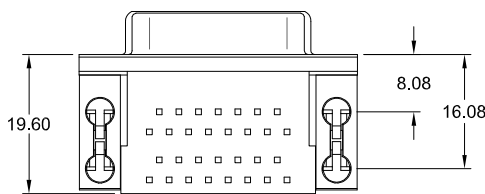
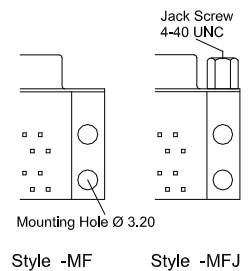
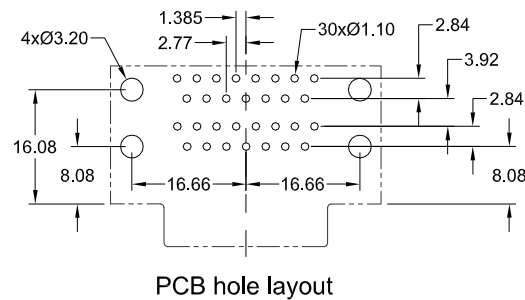
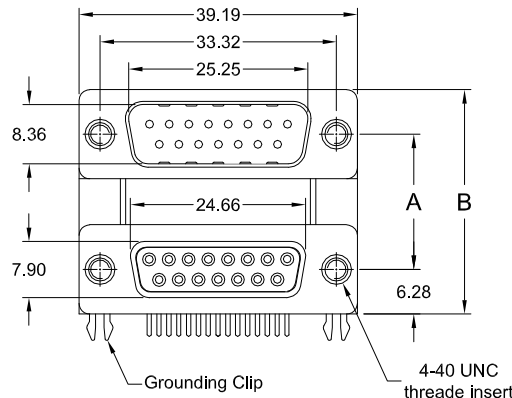
without grounding clips just 4 mounting holes	without grounding clips, just 4 mounting holes; 4 jack screws 4-40 UNC mounted	with 4 grounding clips (as above drawing)	with 4 grounding clips; 4 jack screws 4-40 UNC mounted	Distance Dimensions
SDD-1515-1-95-M	SDD-1515-1-95-MJ	SDD-1515-1-95-MN	SDD-1515-1-95-MNJ	„A“ = 22.86 „B“ = 35.41
SDD-1515-2-95-M	SDD-1515-2-95-MJ	SDD-1515-2-95-MN	SDD-1515-2-95-MNJ	„A“ = 19.05 „B“ = 31.60
SDD-1515-3-95-M	SDD-1515-3-95-MJ	SDD-1515-3-95-MN	SDD-1515-3-95-MNJ	„A“ = 15.87 „B“ = 28.42
if with Ferrite Filter: -MS	if with Ferrite Filter: -MSJ	if with Ferrite Filter: -MSN	if with Ferrite Filter: -MSNJ	

15-pin female / 15-pin male



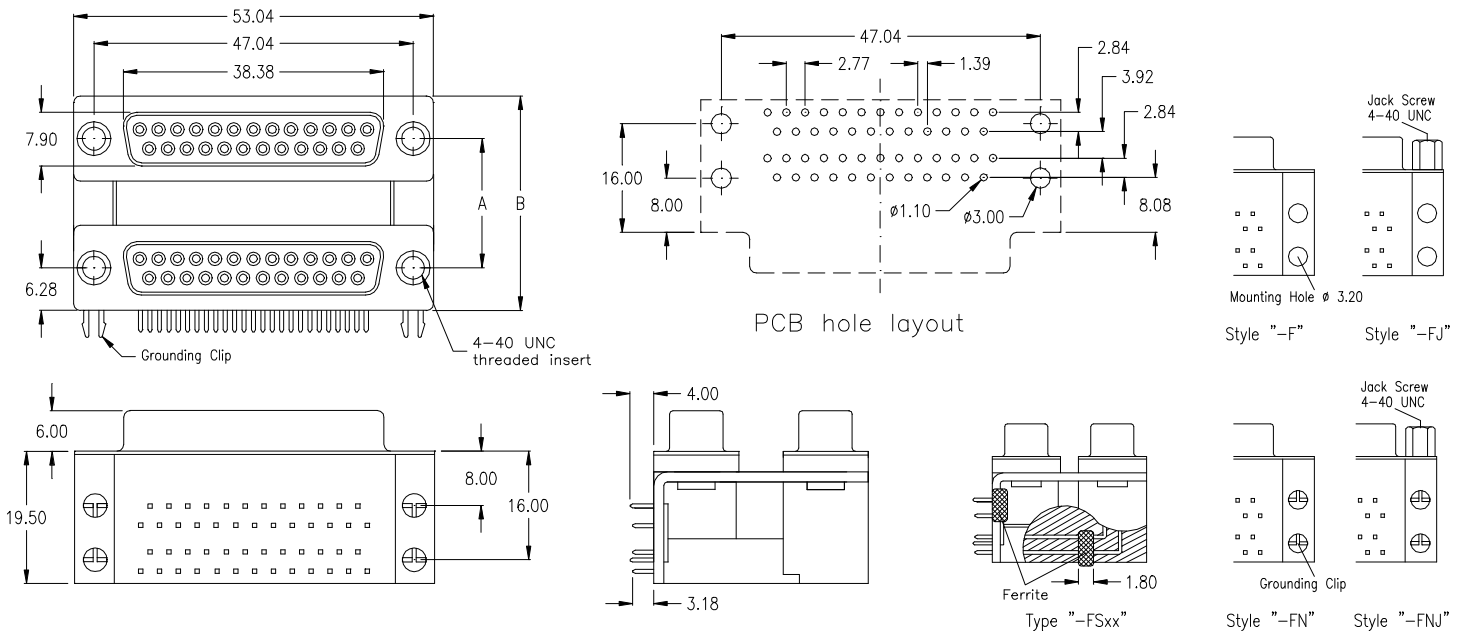
without grounding clips, just 4 mounting holes	without grounding clips, just 4 mounting holes; 4 jack screws 4-40 UNC mounted	with 4 grounding clips (as above drawing)	with 4 grounding clips; 4 jack screws 4-40 UNC mounted	Distance Dimensions	
SDD-1515-1-95-FM	SDD-1515-1-95-FMJ	SDD-1515-1-95-FMN	SDD-1515-1-95-FMNJ	„A“ = 22.86	„B“ = 35.41
SDD-1515-2-95-FM	SDD-1515-2-95-FMJ	SDD-1515-2-95-FMN	SDD-1515-2-95-FMNJ	„A“ = 19.05	„B“ = 31.60
SDD-1515-3-95-FM	SDD-1515-3-95-FMJ	SDD-1515-3-95-FMN	SDD-1515-3-95-FMNJ	„A“ = 15.88	„B“ = 28.43
if with Ferrite Filter: -FMS	if with Ferrite Filter: -FMSJ	if with Ferrite Filter: -FMSN	if with Ferrite Filter: -FMSNJ	If with Ferrite Filter requested, pls. ask for special documentation.	

15-pin male / 15-pin female



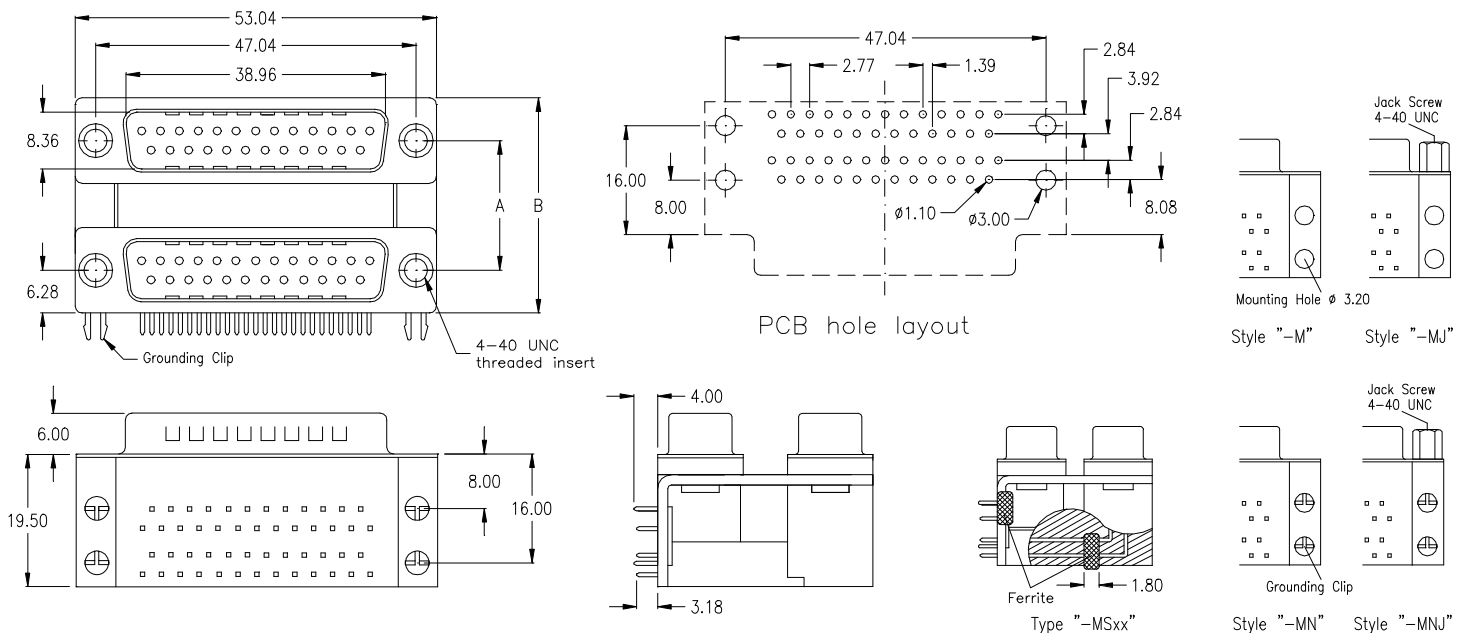
without grounding clips, just 4 mounting holes	without grounding clips, just 4 mounting holes; 4 jack screws 4-40 UNC mounted	with 4 grounding clips (as above drawing)	with 4 grounding clips; 4 jack screws 4-40 UNC mounted	Distance Dimensions	
SDD-1515-1-95-MF	SDD-1515-1-95-MFJ	SDD-1515-1-95-MFN	SDD-1515-1-95-MFNJ	„A“ = 22.86	„B“ = 35.41
SDD-1515-2-95-MF	SDD-1515-2-95-MFJ	SDD-1515-2-95-MFN	SDD-1515-2-95-MFNJ	„A“ = 19.05	„B“ = 31.60
SDD-1515-3-95-MF	SDD-1515-3-95-MFJ	SDD-1515-3-95-MFN	SDD-1515-3-95-MFNJ	„A“ = 15.88	„B“ = 28.43
if with Ferrite Filter: -MFS	if with Ferrite Filter: -MFSJ	if with Ferrite Filter: -MFSN	if with Ferrite Filter: -MFSNJ	If with Ferrite Filter requested, pls. ask for special documentation.	

**25-pin female / 25-pin female**



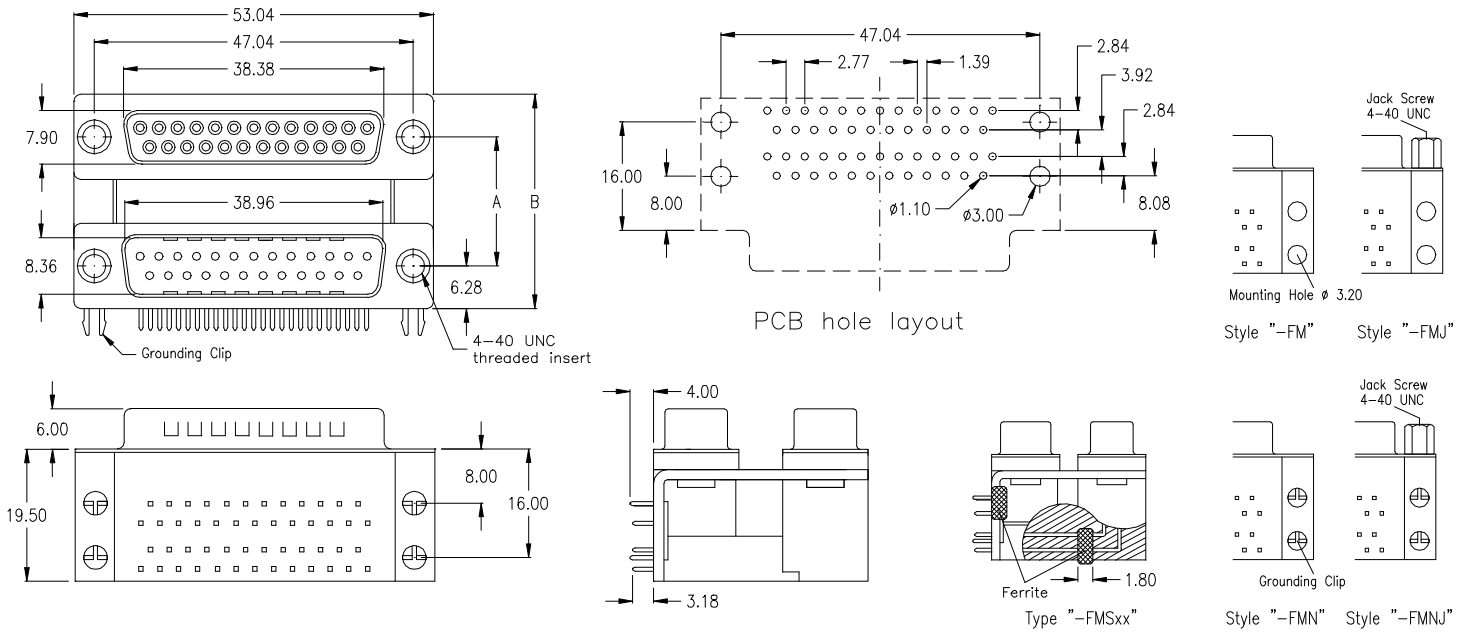
without grounding clips just 4 mounting holes	without grounding clips, just 4 mounting holes; 4 jack screws 4-40 UNC mounted	with 4 grounding clips ( as above drawing )	with 4 grounding clips; 4 jack screws 4-40 UNC mounted	Distance Dimensions	
SDD-2525-1-95-F	SDD-2525-1-95-FJ	SDD-2525-1-95-FN	SDD-2525-1-95-FNJ	„A“ = 22.86	„B“ = 35.41
SDD-2525-2-95-F	SDD-2525-2-95-FJ	SDD-2525-2-95-FN	SDD-2525-2-95-FNJ	„A“ = 19.05	„B“ = 31.60
SDD-2525-3-95-F	SDD-2525-3-95-FJ	SDD-2525-3-95-FN	SDD-2525-3-95-FNJ	„A“ = 15.87	„B“ = 28.42
if with Ferrite Filter: -FS	if with Ferrite Filter: -FSJ	if with Ferrite Filter: -FSN	if with Ferrite Filter: -FSNJ		

**25-pin male / 25-pin male**



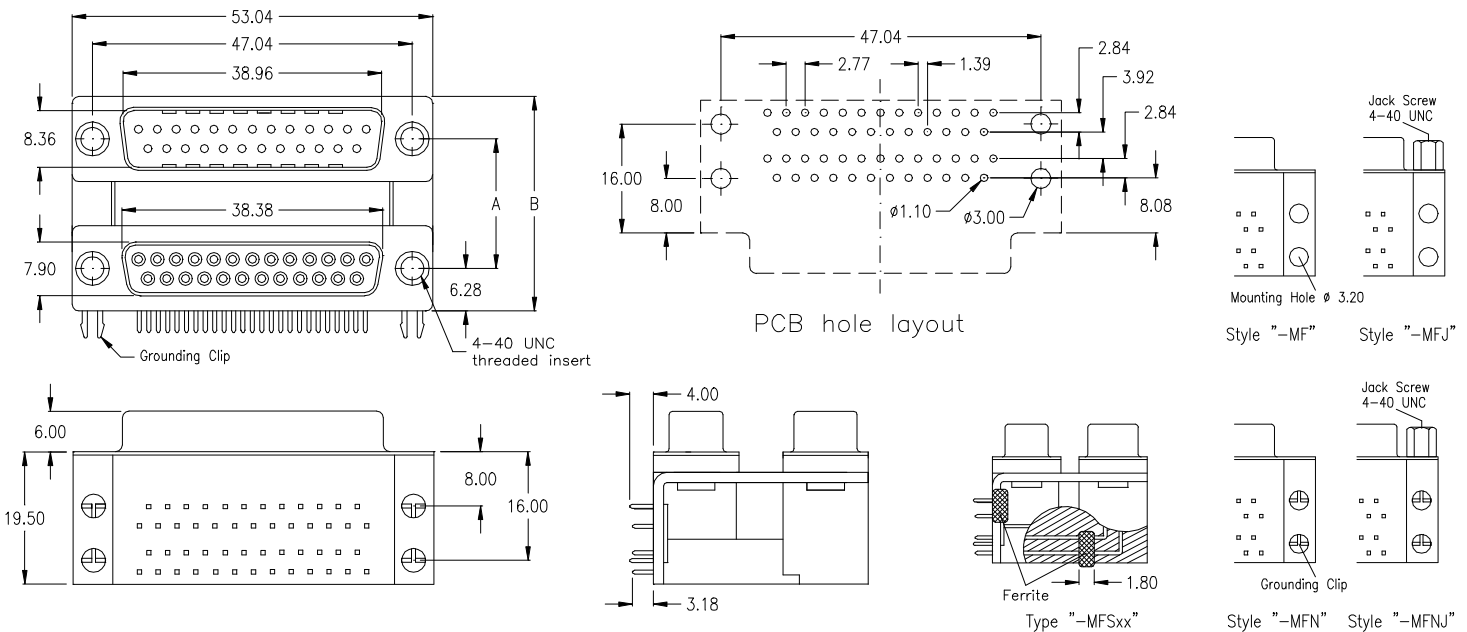
without grounding clips just 4 mounting holes	without grounding clips, just 4 mounting holes; 4 jack screws 4-40 UNC mounted	with 4 grounding clips ( as above drawing )	with 4 grounding clips; 4 jack screws 4-40 UNC mounted	Distance Dimensions	
SDD-2525-1-95-M	SDD-2525-1-95-MJ	SDD-2525-1-95-MN	SDD-2525-1-95-MNJ	„A“ = 22.86	„B“ = 35.41
SDD-2525-2-95-M	SDD-2525-2-95-MJ	SDD-2525-2-95-MN	SDD-2525-2-95-MNJ	„A“ = 19.05	„B“ = 31.60
SDD-2525-3-95-M	SDD-2525-3-95-MJ	SDD-2525-3-95-MN	SDD-2525-3-95-MNJ	„A“ = 15.87	„B“ = 28.42
if with Ferrite Filter: -MS	if with Ferrite Filter: -MSJ	if with Ferrite Filter: -MSN	if with Ferrite Filter: -MSNJ		

**25-pin female / 25-pin male**



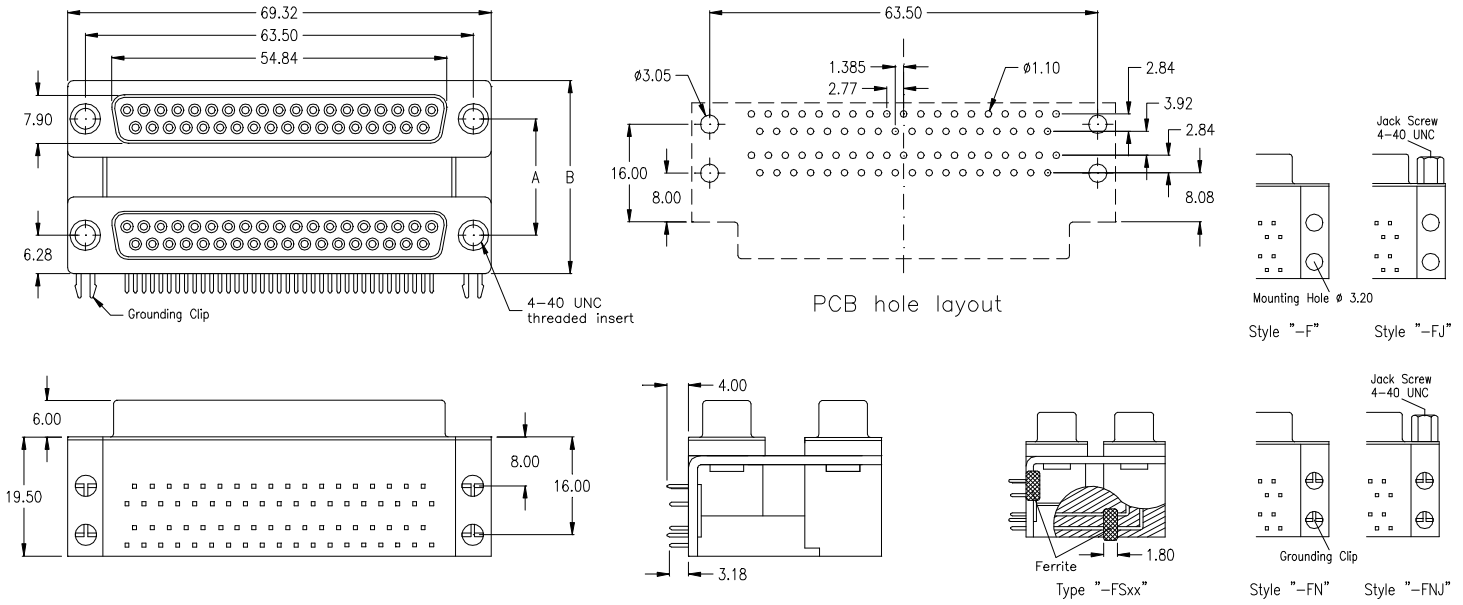
without grounding clips just 4 mounting holes	without grounding clips, just 4 mounting holes; 4 jack screws 4-40 UNC mounted	with 4 grounding clips ( as above drawing )	with 4 grounding clips; 4 jack screws 4-40 UNC mounted	Distance Dimensions
SDD-2525-1-95-FM	SDD-2525-1-95-FMJ	SDD-2525-1-95-FMN	SDD-2525-1-95-FMNJ	„A“ = 22.86 „B“ = 35.41
SDD-2525-2-95-FM	SDD-2525-2-95-FMJ	SDD-2525-2-95-FMN	SDD-2525-2-95-FMNJ	„A“ = 19.05 „B“ = 31.60
SDD-2525-3-95-FM	SDD-2525-3-95-FMJ	SDD-2525-3-95-FMN	SDD-2525-3-95-FMNJ	„A“ = 15.87 „B“ = 28.42
if with Ferrite Filter: -FMS	if with Ferrite Filter: -FMSJ	if with Ferrite Filter: -FMSN	if with Ferrite Filter: -FMSNJ	

**25-pin male / 25-pin female**



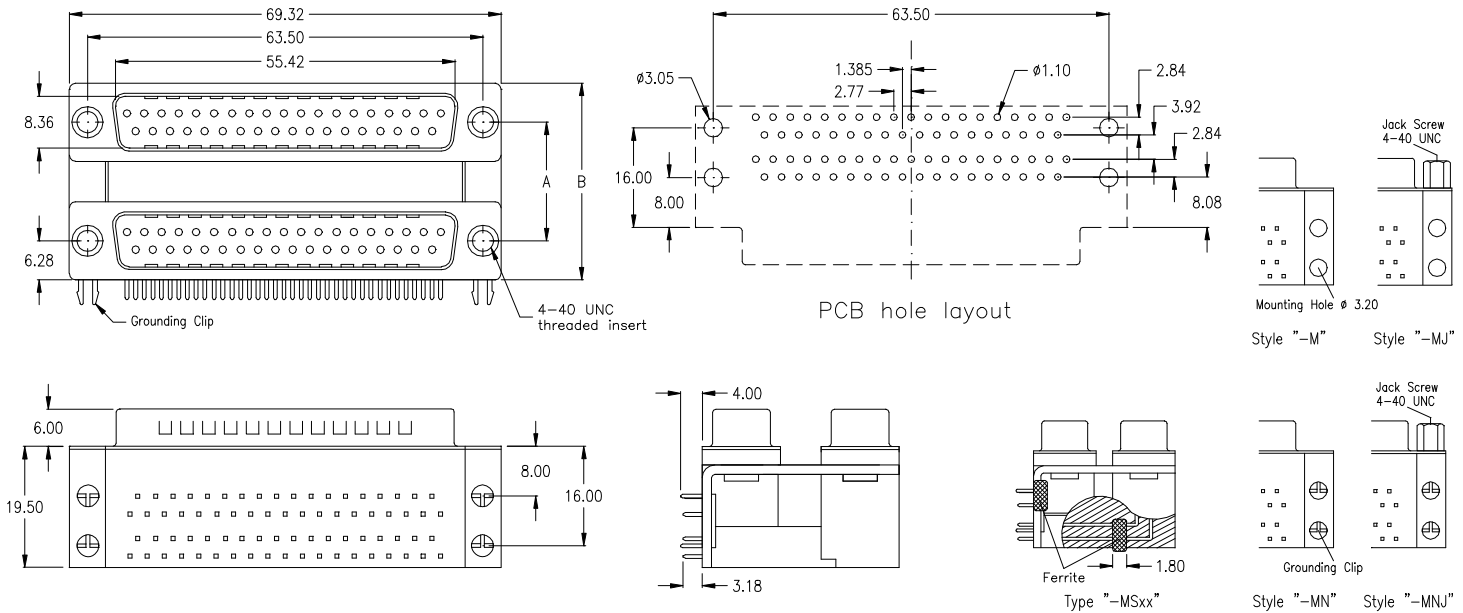
without grounding clips just 4 mounting holes	without grounding clips, just 4 mounting holes; 4 jack screws 4-40 UNC mounted	with 4 grounding clips ( as above drawing )	with 4 grounding clips; 4 jack screws 4-40 UNC mounted	Distance Dimensions
SDD-2525-1-95-MF	SDD-2525-1-95-MFJ	SDD-2525-1-95-MFN	SDD-2525-1-95-MFNJ	„A“ = 22.86 „B“ = 35.41
SDD-2525-2-95-MF	SDD-2525-2-95-MFJ	SDD-2525-2-95-MFN	SDD-2525-2-95-MFNJ	„A“ = 19.05 „B“ = 31.60
SDD-2525-3-95-MF	SDD-2525-3-95-MFJ	SDD-2525-3-95-MFN	SDD-2525-3-95-MFNJ	„A“ = 15.87 „B“ = 28.42
if with Ferrite Filter: -MFS	if with Ferrite Filter: -MFSJ	if with Ferrite Filter: -MFSN	if with Ferrite Filter: -MFSNJ	

**37-pin female / 37-pin female**



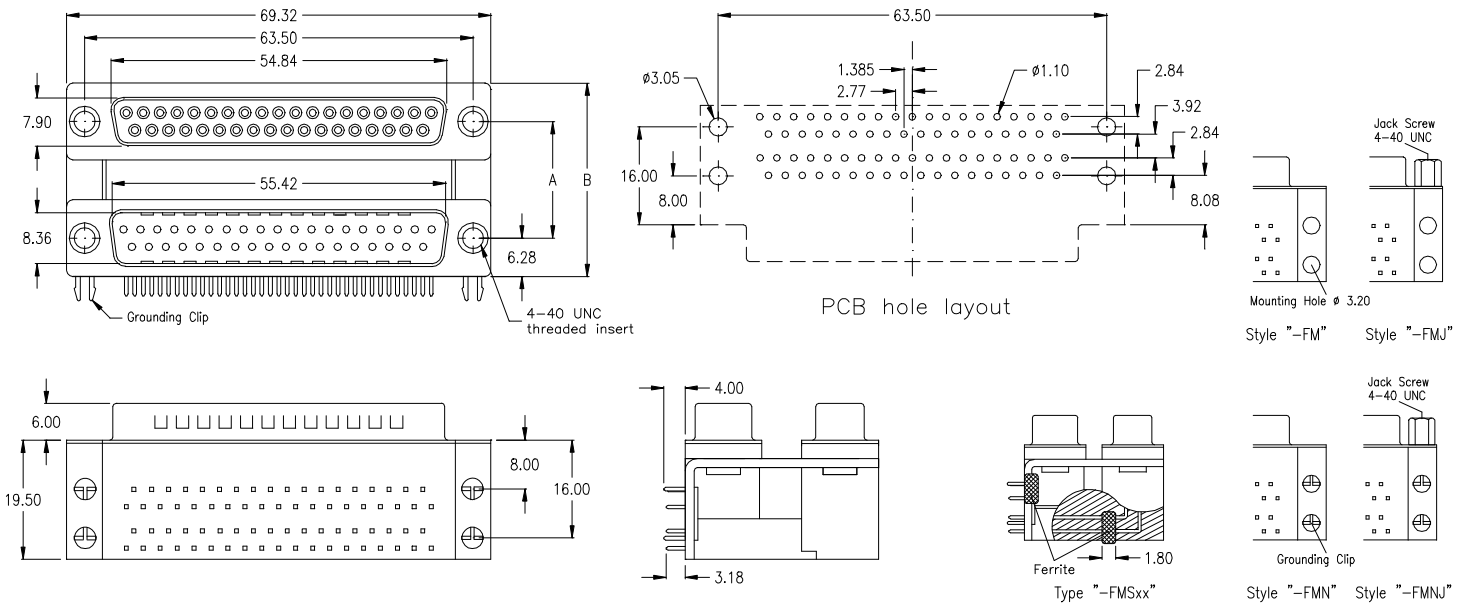
without grounding clips just 4 mounting holes	without grounding clips, just 4 mounting holes; 4 jack screws 4-40 UNC mounted	with 4 grounding clips ( as above drawing )	with 4 grounding clips; 4 jack screws 4-40 UNC mounted	Distance Dimensions	
SDD-3737-1-95-F	SDD-3737-1-95-FJ	SDD-3737-1-95-FN	SDD-3737-1-95-FNJ	„A“ = 22.86	„B“ = 35.41
SDD-3737-2-95-F	SDD-3737-2-95-FJ	SDD-3737-2-95-FN	SDD-3737-2-95-FNJ	„A“ = 19.05	„B“ = 31.60
SDD-3737-3-95-F	SDD-3737-3-95-FJ	SDD-3737-3-95-FN	SDD-3737-3-95-FNJ	„A“ = 15.87	„B“ = 28.42
if with Ferrite Filter: -FS	if with Ferrite Filter: -FSJ	if with Ferrite Filter: -FSN	if with Ferrite Filter: -FSNJ		

**37-pin male / 37-pin male**



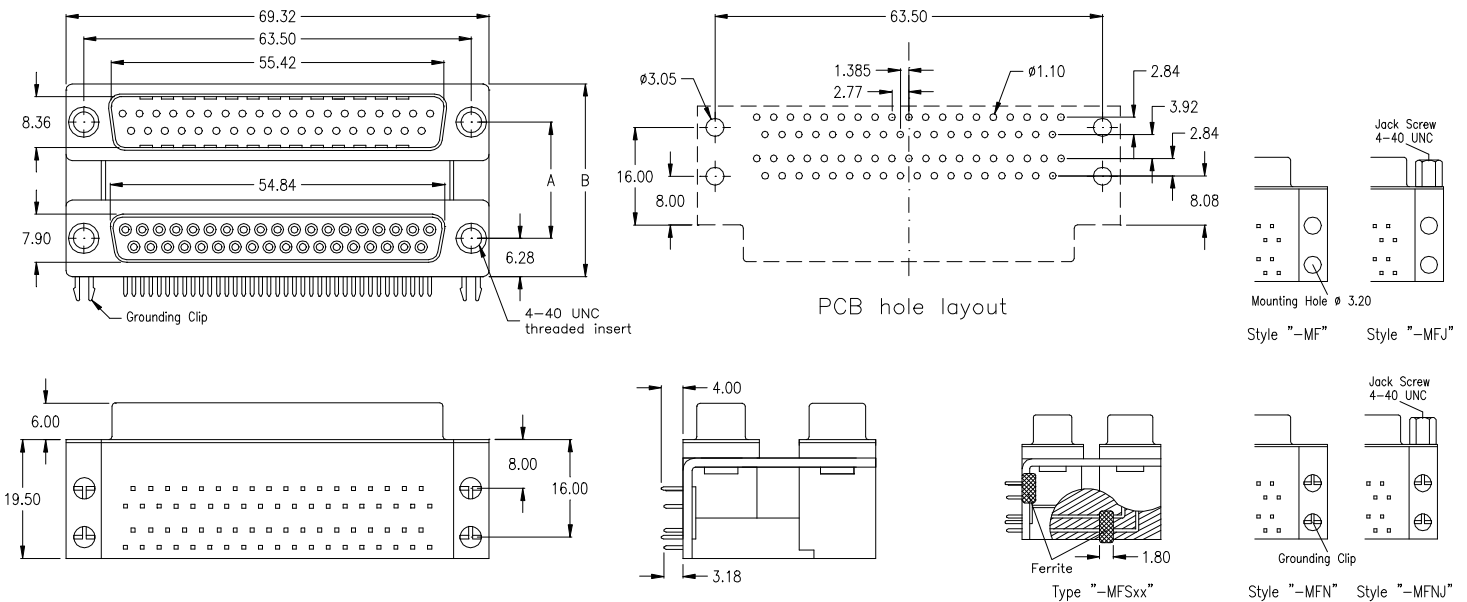
without grounding clips just 4 mounting holes	without grounding clips, just 4 mounting holes; 4 jack screws 4-40 UNC mounted	with 4 grounding clips ( as above drawing )	with 4 grounding clips; 4 jack screws 4-40 UNC mounted	Distance Dimensions	
SDD-3737-1-95-M	SDD-3737-1-95-MJ	SDD-3737-1-95-MN	SDD-3737-1-95-MNJ	„A“ = 22.86	„B“ = 35.41
SDD-3737-2-95-M	SDD-3737-2-95-MJ	SDD-3737-2-95-MN	SDD-3737-2-95-MNJ	„A“ = 19.05	„B“ = 31.60
SDD-3737-3-95-M	SDD-3737-3-95-MJ	SDD-3737-3-95-MN	SDD-3737-3-95-MNJ	„A“ = 15.87	„B“ = 28.42
if with Ferrite Filter: -MS	if with Ferrite Filter: -MSJ	if with Ferrite Filter: -MSN	if with Ferrite Filter: -MSNJ		

**37-pin female / 37-pin male**



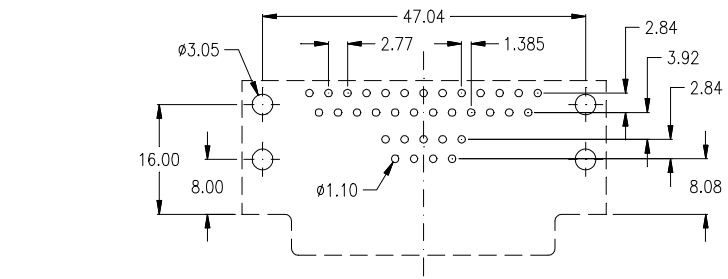
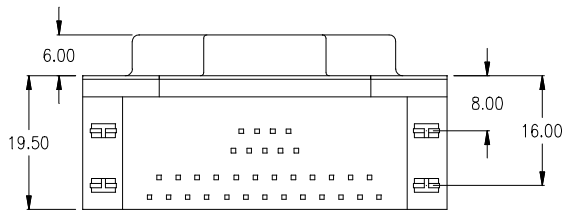
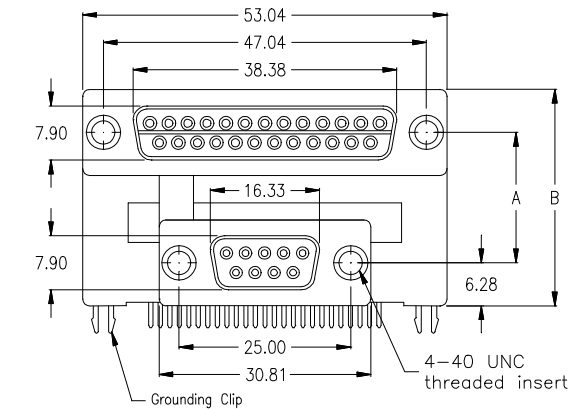
without grounding clips just 4 mounting holes	without grounding clips, just 4 mounting holes; 4 jack screws 4-40 UNC mounted	with 4 grounding clips ( as above drawing )	with 4 grounding clips; 4 jack screws 4-40 UNC mounted	Distance Dimensions	
SDD-3737-1-95-FM	SDD-3737-1-95-FMJ	SDD-3737-1-95-FMN	SDD-3737-1-95-FMNJ	„A“ = 22.86	„B“ = 35.41
SDD-3737-2-95-FM	SDD-3737-2-95-FMJ	SDD-3737-2-95-FMN	SDD-3737-2-95-FMNJ	„A“ = 19.05	„B“ = 31.60
SDD-3737-3-95-FM	SDD-3737-3-95-FMJ	SDD-3737-3-95-FMN	SDD-3737-3-95-FMNJ	„A“ = 15.87	„B“ = 28.42
if with Ferrite Filter: -FMS	if with Ferrite Filter: -FMSJ	if with Ferrite Filter: -FMSN	if with Ferrite Filter: -FMSNJ		

**37-pin male / 37-pin female**

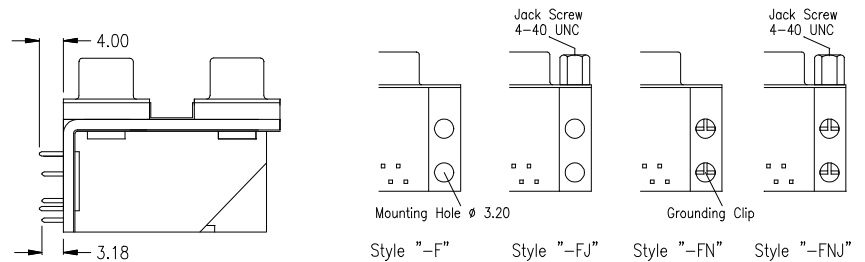


without grounding clips just 4 mounting holes	without grounding clips, just 4 mounting holes; 4 jack screws 4-40 UNC mounted	with 4 grounding clips ( as above drawing )	with 4 grounding clips; 4 jack screws 4-40 UNC mounted	Distance Dimensions	
SDD-3737-1-95-MF	SDD-3737-1-95-MFJ	SDD-3737-1-95-MFN	SDD-3737-1-95-MFNJ	„A“ = 22.86	„B“ = 35.41
SDD-3737-2-95-MF	SDD-3737-2-95-MFJ	SDD-3737-2-95-MFN	SDD-3737-2-95-MFNJ	„A“ = 19.05	„B“ = 31.60
SDD-3737-3-95-MF	SDD-3737-3-95-MFJ	SDD-3737-3-95-MFN	SDD-3737-3-95-MFNJ	„A“ = 15.87	„B“ = 28.42
if with Ferrite Filter: -MFS	if with Ferrite Filter: -MFSJ	if with Ferrite Filter: -MFSN	if with Ferrite Filter: -MFSNJ		

**25-pin female / 9-pin female**

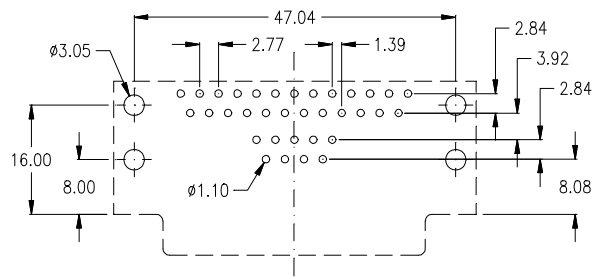
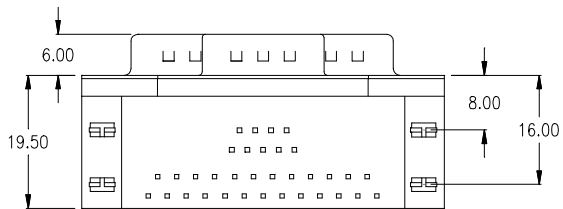
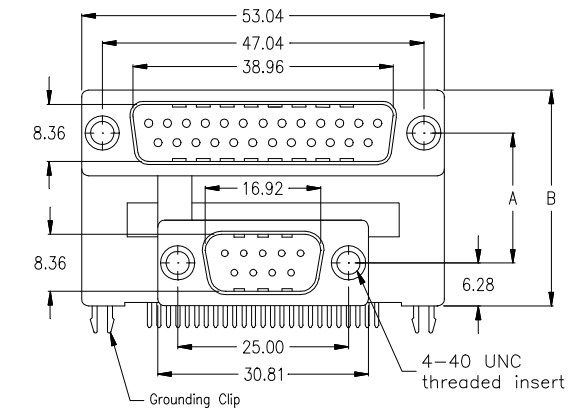


PCB hole layout

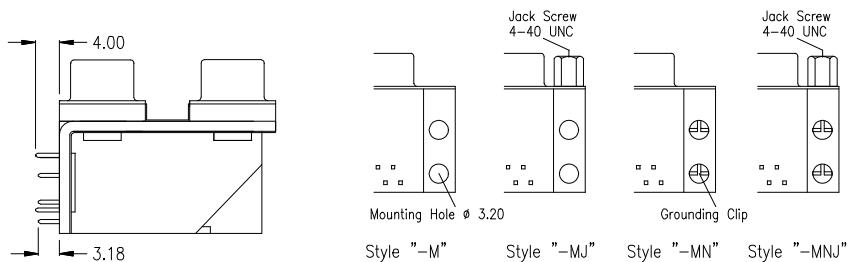


without grounding clips just 4 mounting holes	without grounding clips, just 4 mounting holes; 4 jack screws 4-40 UNC mounted	with 4 grounding clips ( as above drawing )	with 4 grounding clips; 4 jack screws 4-40 UNC mounted	Distance Dimensions	
SDD-2509-2-95-F	SDD-2509-2-95-FJ	SDD-2509-2-95-FN	SDD-2509-2-95-FNJ	„A“ = 19.05	„B“ = 31.60

**25-pin male / 9-pin male**



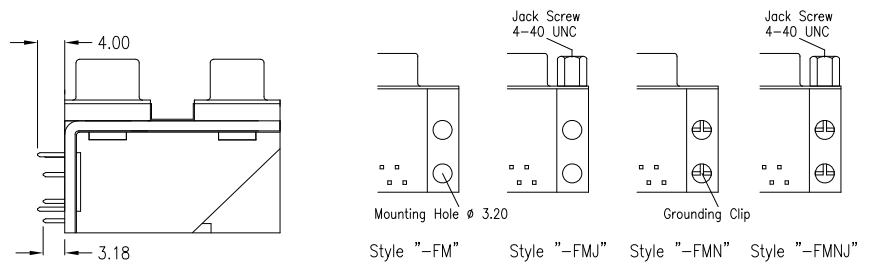
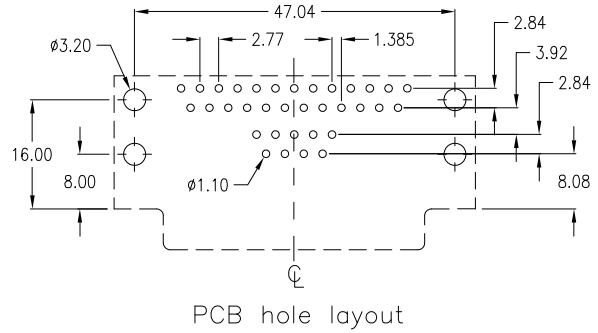
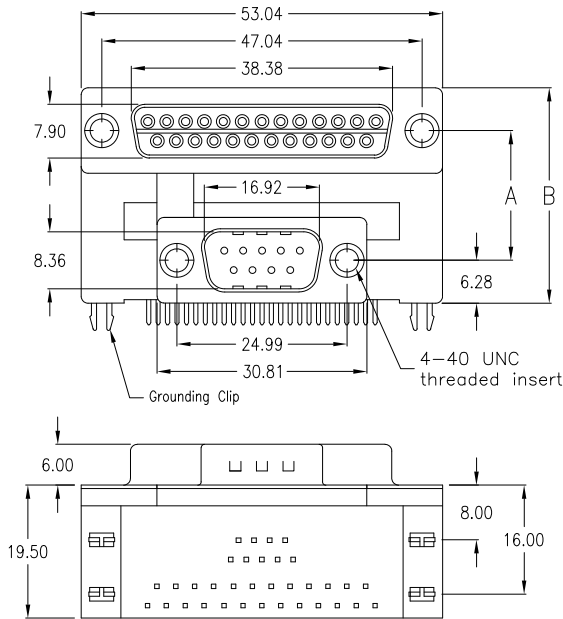
PCB hole layout



without grounding clips just 4 mounting holes	without grounding clips, just 4 mounting holes; 4 jack screws 4-40 UNC mounted	with 4 grounding clips ( as above drawing )	with 4 grounding clips; 4 jack screws 4-40 UNC mounted	Distance Dimensions	
SDD-2509-2-95-M	SDD-2509-2-95-MJ	SDD-2509-2-95-MN	SDD-2509-2-95-MNJ	„A“ = 19.05	„B“ = 31.60

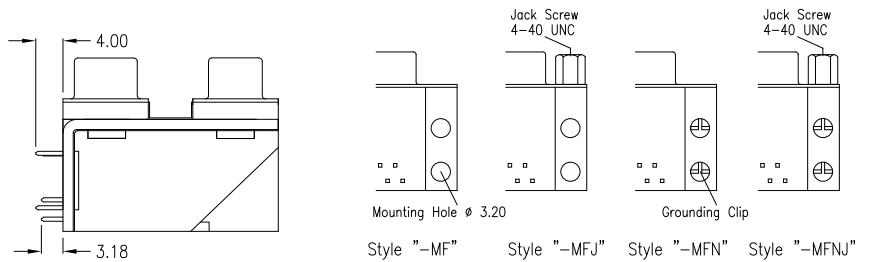
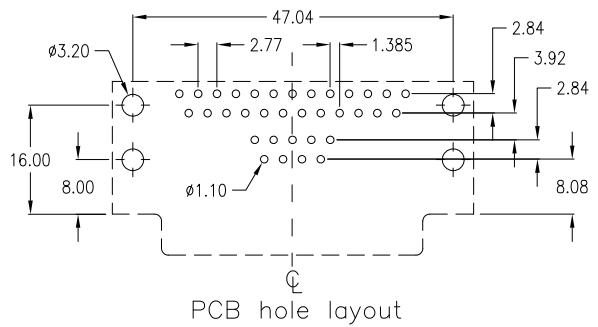
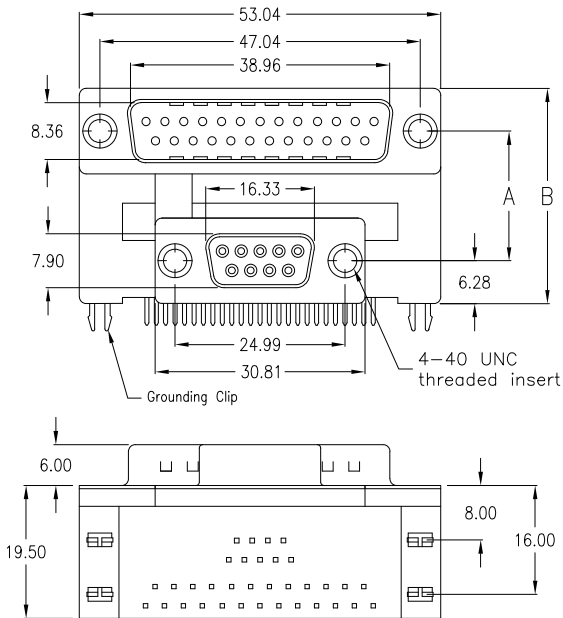


**25-pin female / 9-pin male**



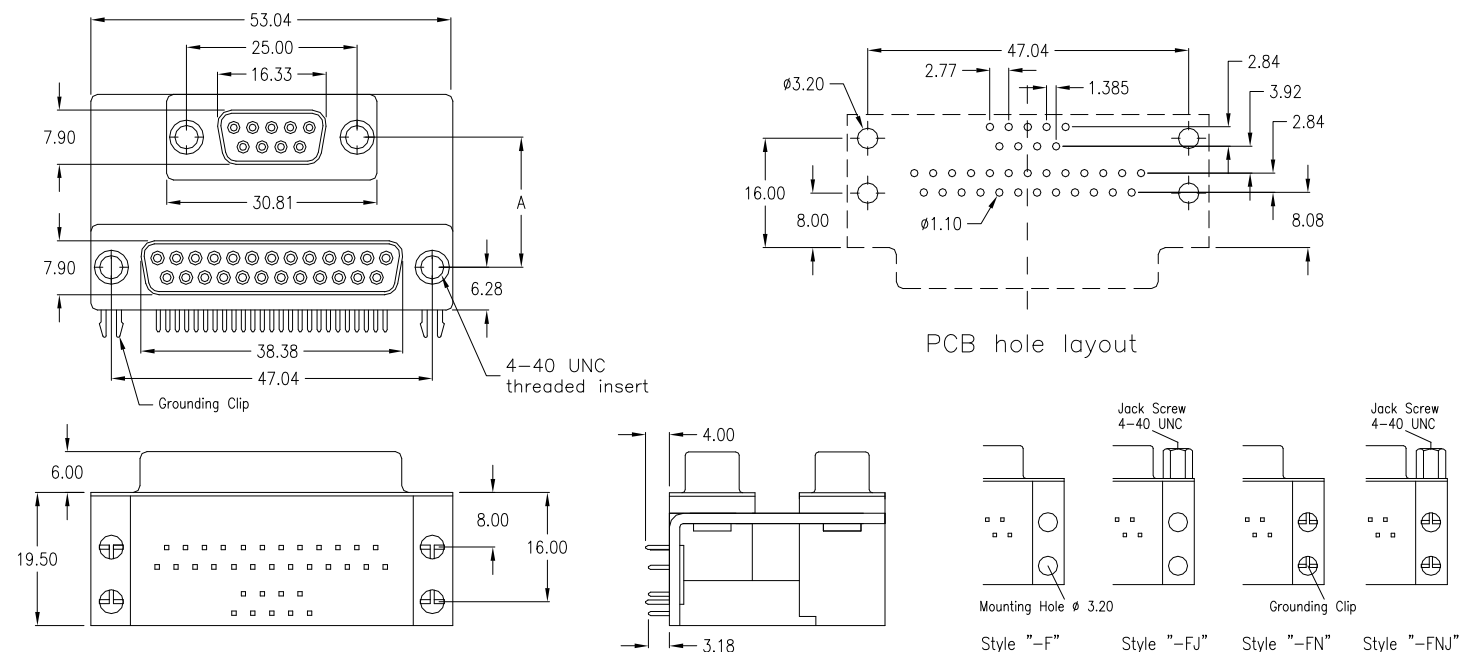
without grounding clips just 4 mounting holes	without grounding clips, just 4 mounting holes; 4 jack screws 4-40 UNC mounted	with 4 grounding clips (as above drawing)	with 4 grounding clips; 4 jack screws 4-40 UNC mounted	Distance Dimensions (mm)	
SDD-2509-2-95-FM	SDD-2509-2-95-FMJ	SDD-2509-2-95-FMN	SDD-2509-2-95-FMNJ	„A“ = 19.05	„B“ = 31.60

**25-pin male / 9-pin female**



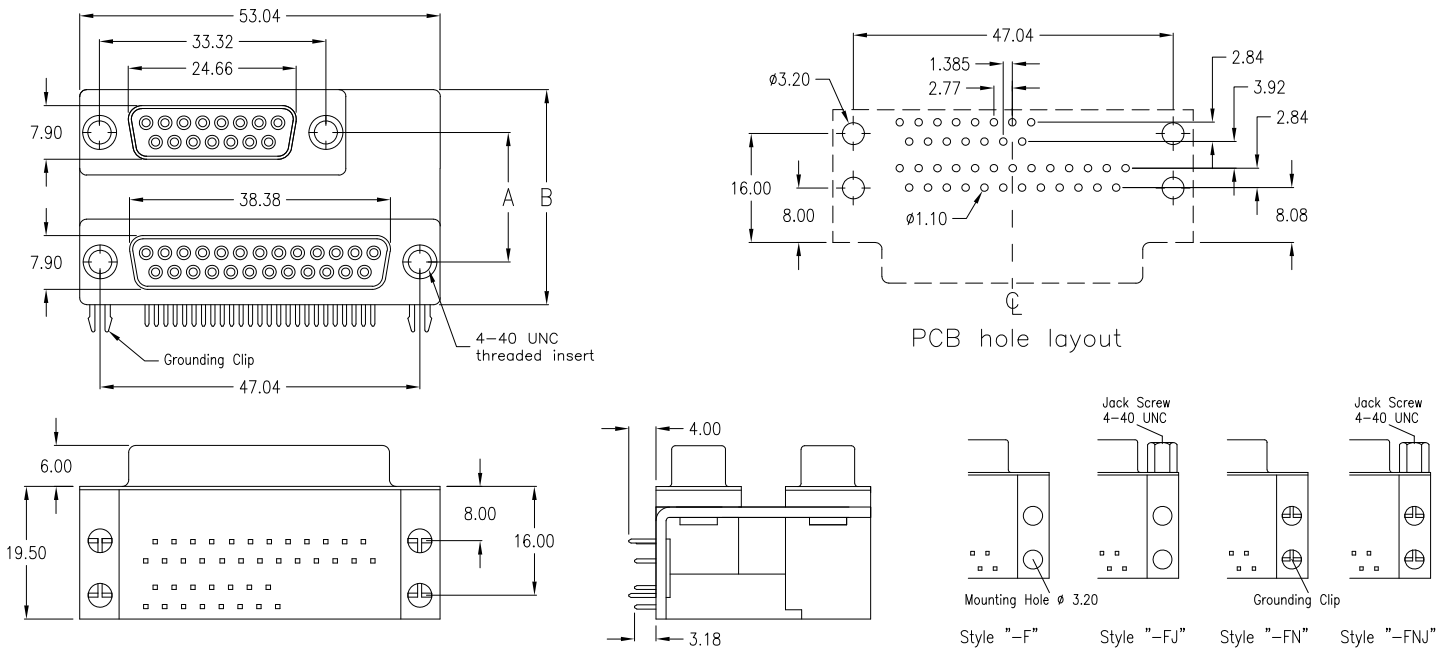
without grounding clips just 4 mounting holes	without grounding clips, just 4 mounting holes; 4 jack screws 4-40 UNC mounted	with 4 grounding clips (as above drawing)	with 4 grounding clips; 4 jack screws 4-40 UNC mounted	Distance Dimensions (mm)	
SDD-2509-2-95-MF	SDD-2509-2-95-MFJ	SDD-2509-2-95-MFN	SDD-2509-2-95-MFNJ	„A“ = 19.05	„B“ = 31.60

9-pin female / 25-pin female



without grounding clips just 4 mounting holes	without grounding clips, just 4 mounting holes; 4 jack screws 4-40 UNC mounted	with 4 grounding clips ( as above drawing )	with 4 grounding clips; 4 jack screws 4-40 UNC mounted	Distance Dimensions (mm)	
SDD-0925-2-95-F	SDD-0925-2-95-FJ	SDD-0925-2-95-FN	SDD-0925-2-95-FNJ	„A“ = 19.05	„B“ = 31.60
SDD-0925-3-95-F	SDD-0925-3-95-FJ	SDD-0925-3-95-FN	SDD-0925-3-95-FNJ	„A“ = 15.87	„B“ = 28.42

**15-pin female left side / 25-pin female**

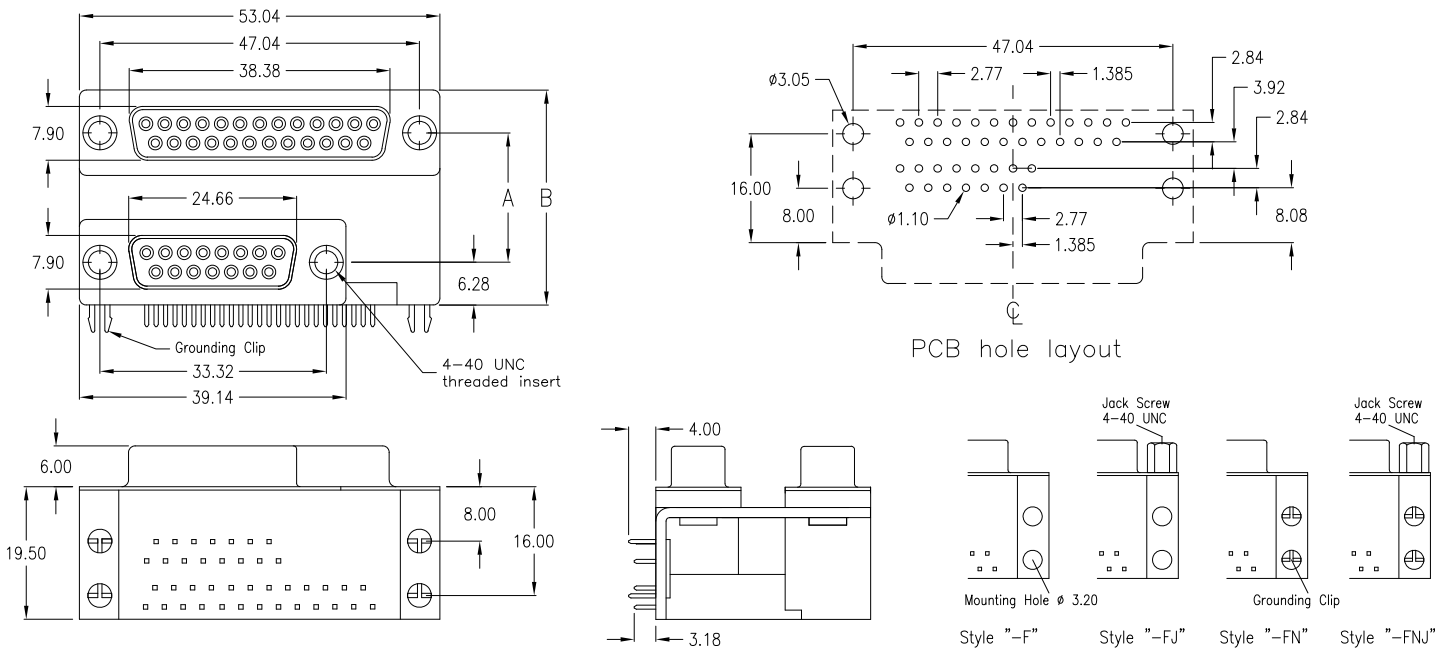


without grounding clips just 4 mounting holes	without grounding clips, just 4 mounting holes; 4 jack screws 4-40 UNC mounted	with 4 grounding clips ( as above drawing )	with 4 grounding clips; 4 jack screws 4-40 UNC mounted	Distance Dimensions (mm)	
SDD-L1525-2-95-F	SDD-L1525-2-95-FJ	SDD-L1525-2-95-FN	SDD-L1525-2-95-FNJ	„A“ = 19.05	„B“ = 31.60

**25-pin female / 15-pin female left side**

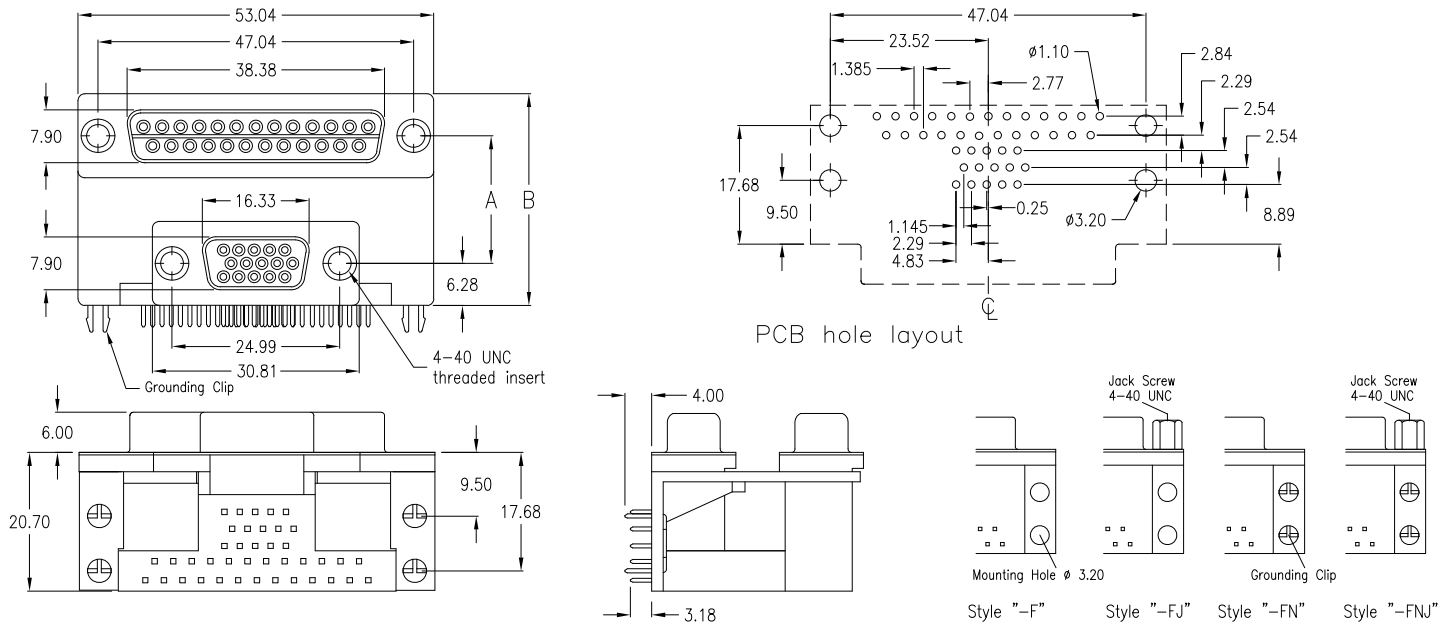
**Special product.**

Please ask for availability and minimum order quantity before you consider the article for development, design in or production purposes.



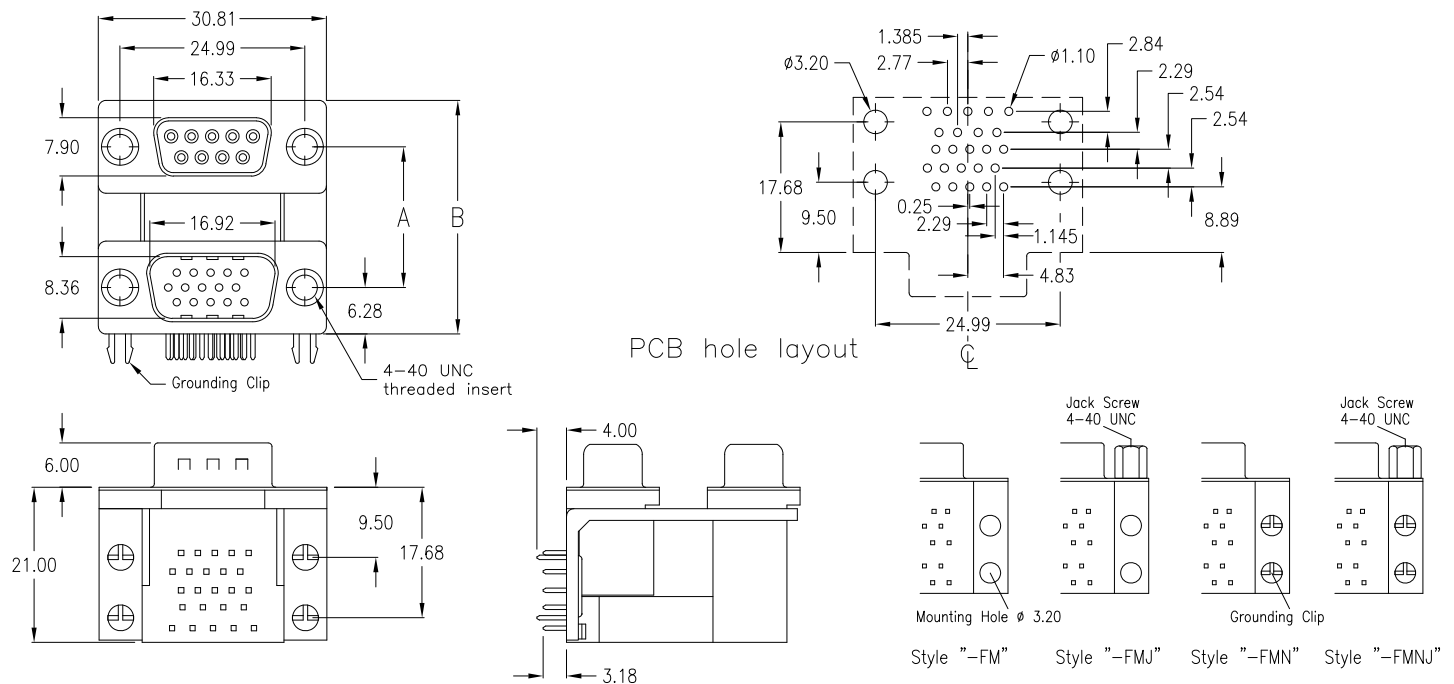
without grounding clips just 4 mounting holes	without grounding clips, just 4 mounting holes; 4 jack screws 4-40 UNC mounted	with 4 grounding clips ( as above drawing )	with 4 grounding clips; 4 jack screws 4-40 UNC mounted	Distance Dimensions (mm)	
SDD-25L15-2-95-F	SDD-25L15-2-95-FJ	SDD-25L15-2-95-FN	SDD-25L15-2-95-FNJ	„A“ = 19.05	„B“ = 31.60

**25-pin female / 15-pin HD female**



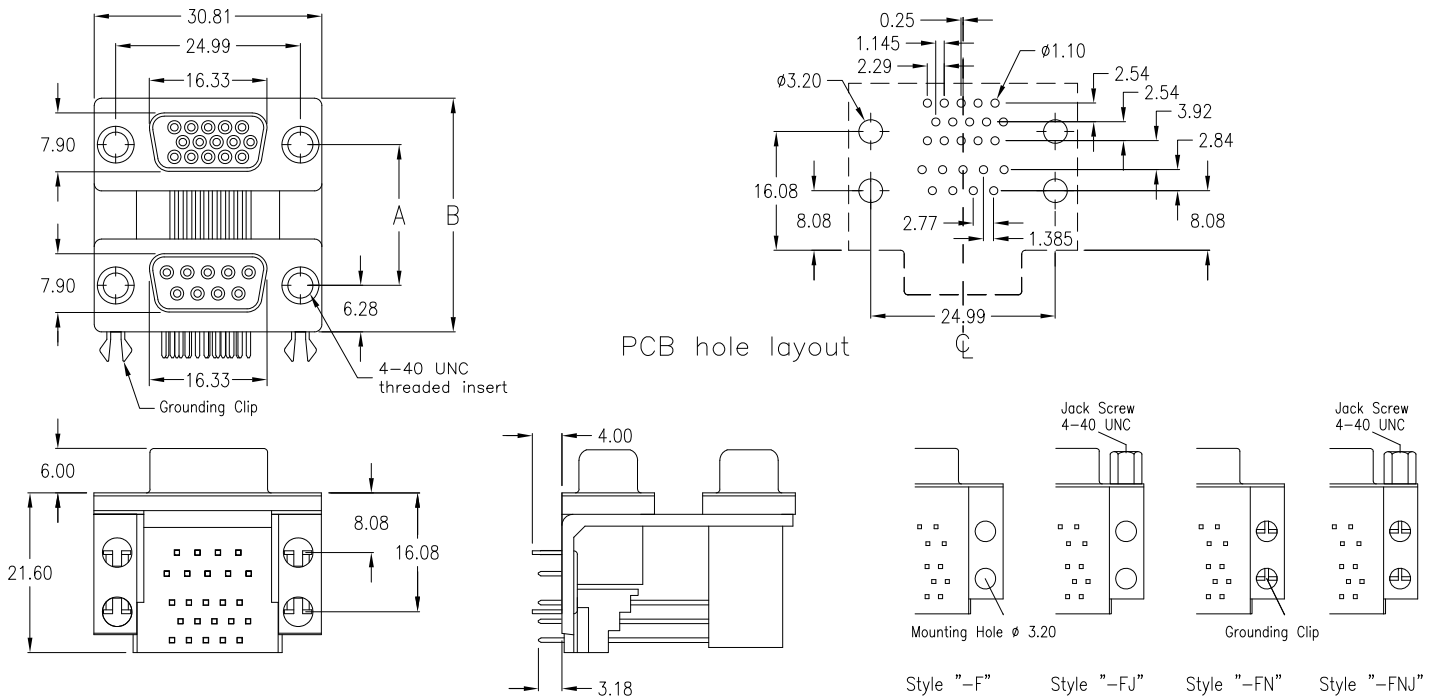
without grounding clips just 4 mounting holes	without grounding clips, just 4 mounting holes; 4 jack screws 4-40 UNC mounted	with 4 grounding clips ( as above drawing )	with 4 grounding clips; 4 jack screws 4-40 UNC mounted	Distance Dimensions (mm)	
SDD-25H15-4-95-F	SDD-25H15-4-95-FJ	SDD-25H15-4-95-FN	SDD-25H15-4-95-FNJ	„A“ = 19.05	„B“ = 31.60

**9-pin female / 15-pin HD male**



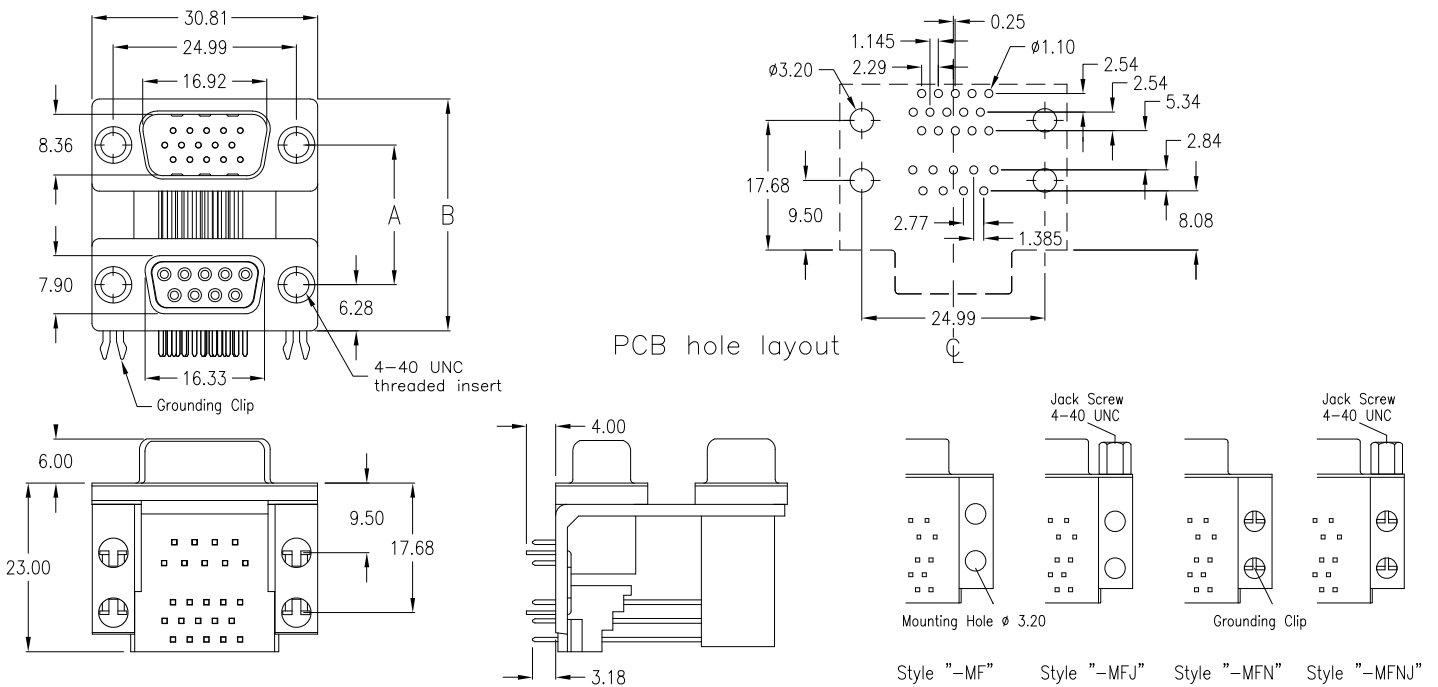
without grounding clips just 4 mounting holes	without grounding clips, just 4 mounting holes; 4 jack screws 4-40 UNC mounted	with 4 grounding clips ( as above drawing )	with 4 grounding clips; 4 jack screws 4-40 UNC mounted	Distance Dimensions (mm)	
SDD-09H15-4-95-FM	SDD-09H15-4-95-FMJ	SDD-09H15-4-95-FMN	SDD-09H15-4-95-FMNJ	„A“ = 19.05	„B“ = 31.60

**15-pin HD female / 09-pin female**



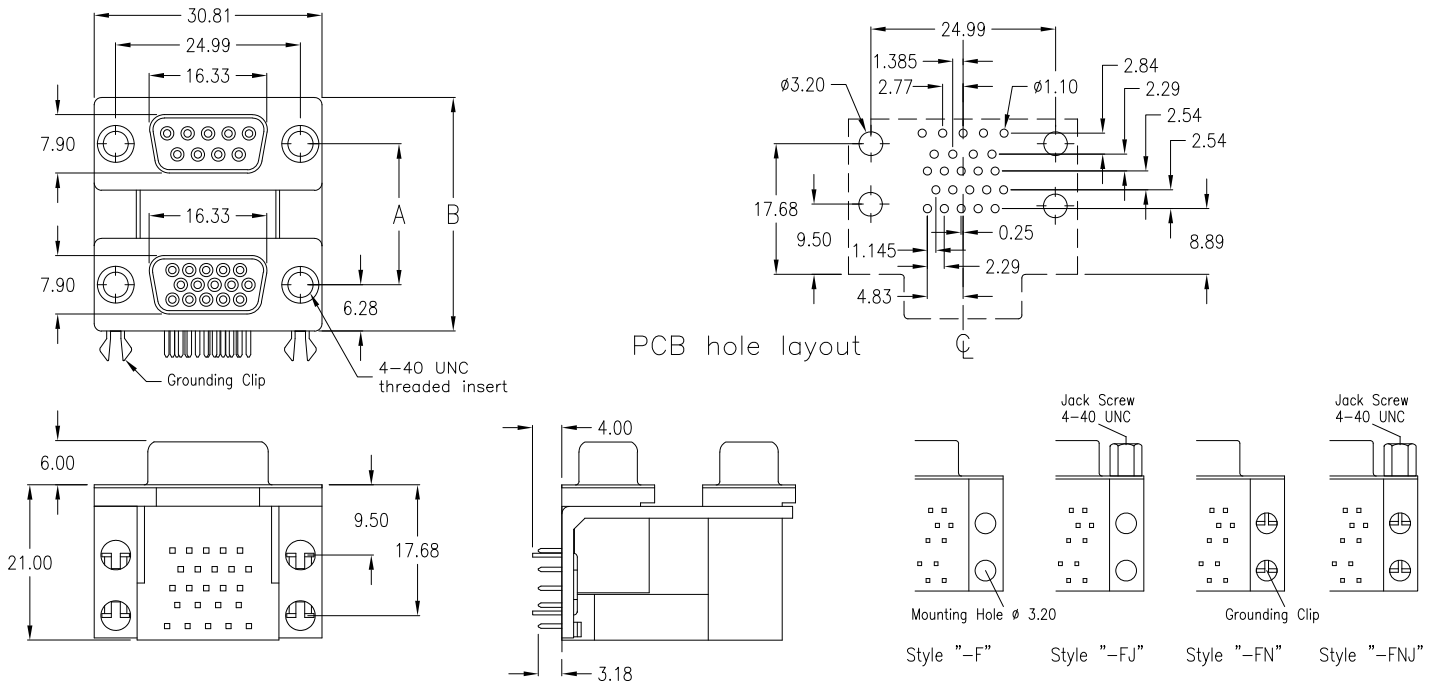
without grounding clips just 4 mounting holes	without grounding clips, just 4 mounting holes; 4 jack screws 4-40 UNC mounted	with 4 grounding clips ( as above drawing )	with 4 grounding clips; 4 jack screws 4-40 UNC mounted	Distance Dimensions (mm)	
SDD-H1509-6-95-F	SDD-H1509-6-95-FJ	SDD-H1509-6-95-FN	SDD-H1509-6-95-FNJ	„A“ = 19.05	„B“ = 31.60

**15-pin HD male / 09-pin female**



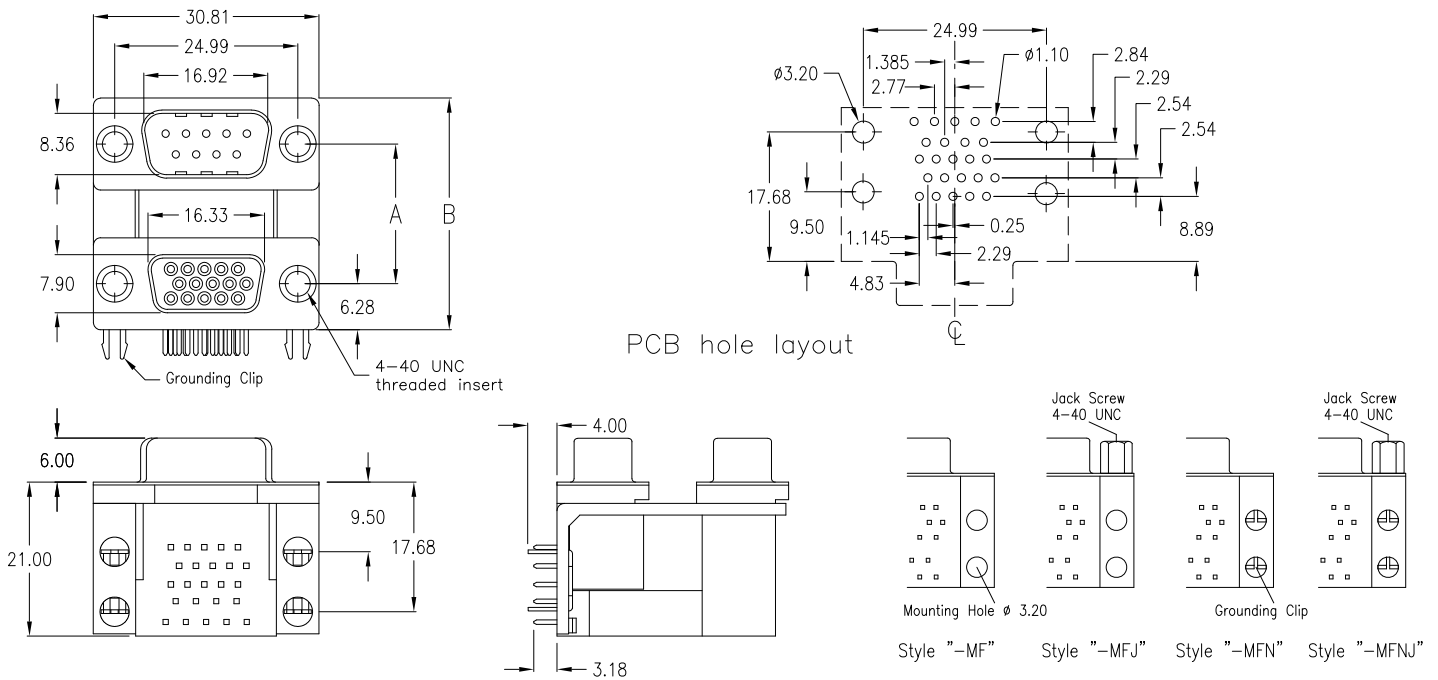
without grounding clips just 4 mounting holes	without grounding clips, just 4 mounting holes; 4 jack screws 4-40 UNC mounted	with 4 grounding clips ( as above drawing )	with 4 grounding clips; 4 jack screws 4-40 UNC mounted	Distance Dimensions (mm)	
SDD-H1509-7-95-MF	SDD-H1509-7-95-MFJ	SDD-H1509-7-95-MFN	SDD-H1509-7-95-MFNJ	„A“ = 19.05	„B“ = 31.60

**9-pin female / 15-pin HD female**



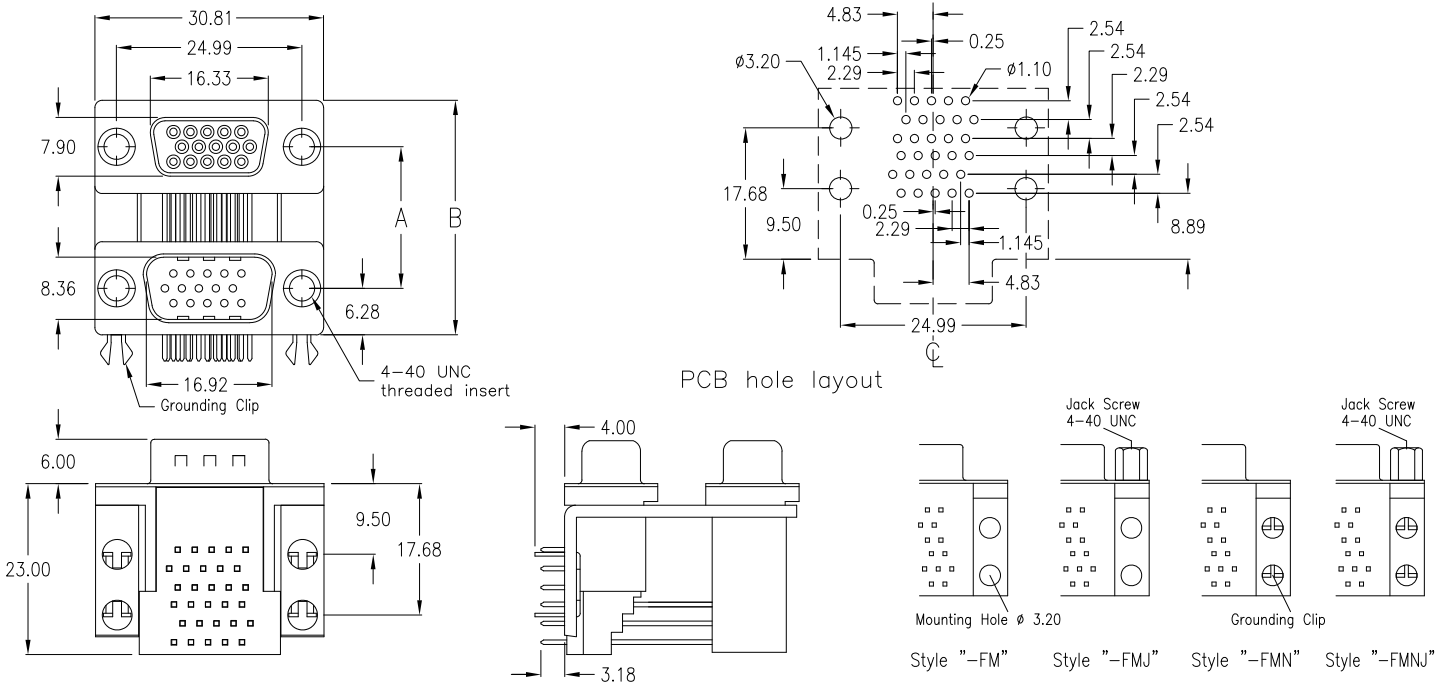
without grounding clips just 4 mounting holes	without grounding clips, just 4 mounting holes; 4 jack screws 4-40 UNC mounted	with 4 grounding clips ( as above drawing )	with 4 grounding clips; 4 jack screws 4-40 UNC mounted	Distance Dimensions (mm)	
SDD-09H15-4-95-F	SDD-09H15-4-95-FJ	SDD-09H15-4-95-FN	SDD-09H15-4-95-FNJ	„A“ = 19.05	„B“ = 31.60
SDD-09H15-5-95-F	SDD-09H15-5-95-FJ	SDD-09H15-5-95-FN	SDD-09H15-5-95-FNJ	„A“ = 15.88	„B“ = 28.42

**9-pin male / 15-pin HD female**



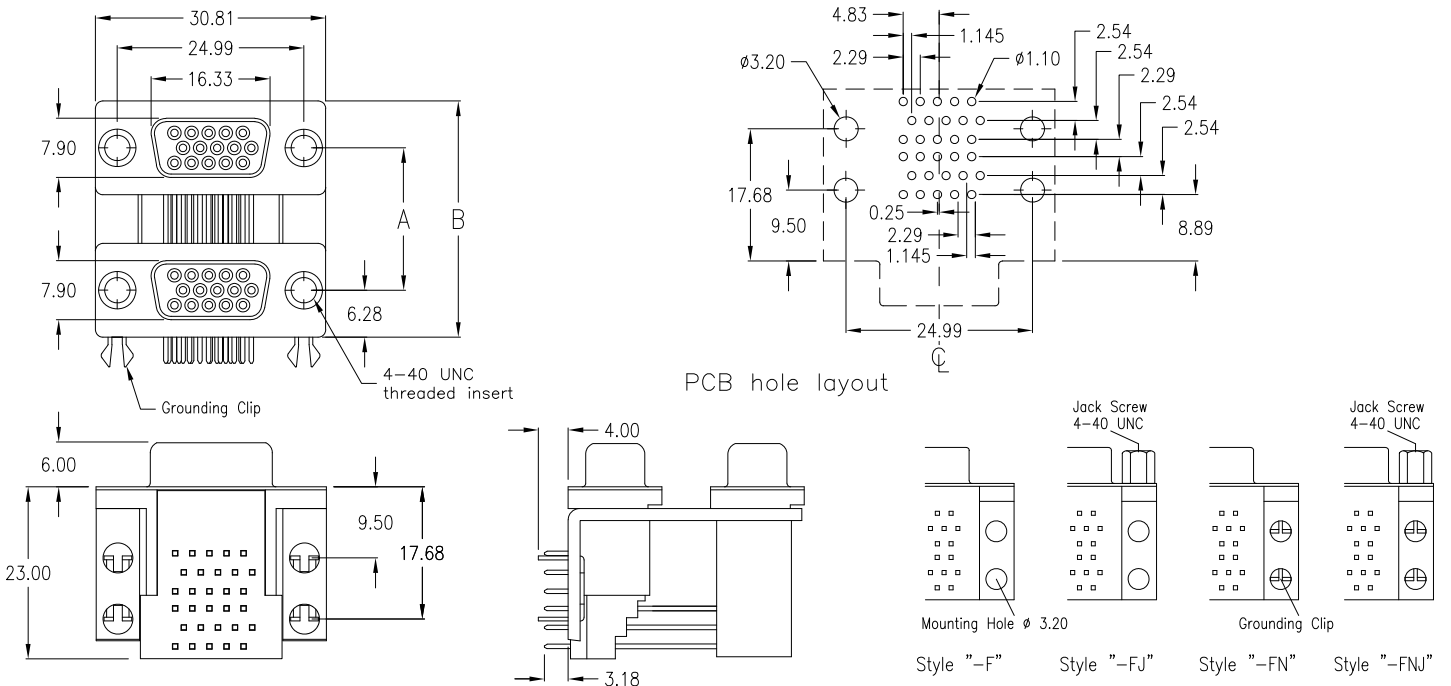
without grounding clips just 4 mounting holes	without grounding clips, just 4 mounting holes; 4 jack screws 4-40 UNC mounted	with 4 grounding clips ( as above drawing )	with 4 grounding clips; 4 jack screws 4-40 UNC mounted	Distance Dimensions (mm)	
SDD-09H15-4-95-MF	SDD-09H15-4-95-MFJ	SDD-09H15-4-95-MFN	SDD-09H15-4-95-MFNJ	„A“ = 19.05	„B“ = 31.60
SDD-09H15-5-95-MF	SDD-09H15-5-95-MFJ	SDD-09H15-5-95-MFN	SDD-09H15-5-95-MFNJ	„A“ = 15.88	„B“ = 28.42

**15-pin HD female / 15-pin HD male**



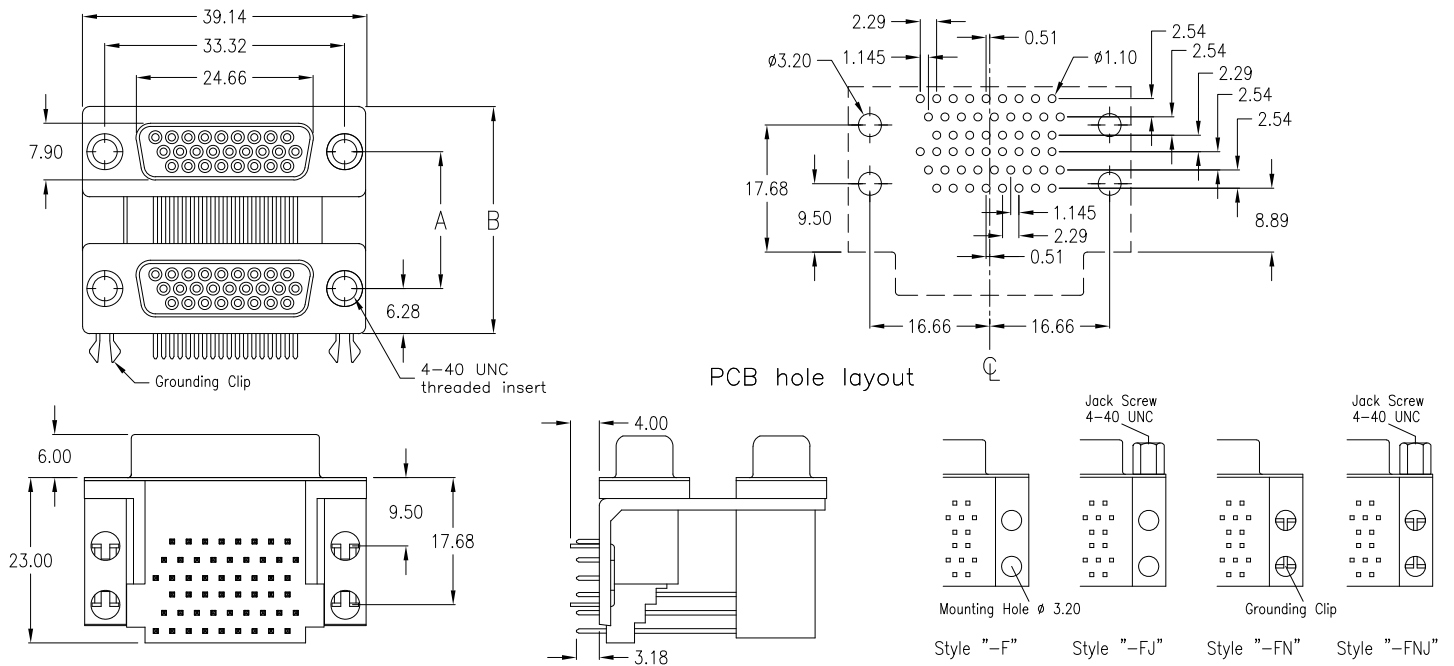
without grounding clips, just 4 mounting holes	without grounding clips, just 4 mounting holes; 4 jack screws 4-40 UNC mounted	with 4 grounding clips (as above drawing)	with 4 grounding clips; 4 jack screws 4-40 UNC mounted	Distance Dimensions (mm)	
SDD-H15H15-4-95-FM	SDD-H15H15-4-95-FMJ	SDD-H15H15-4-95-FMN	SDD-H15H15-4-95-FMNJ	„A“ = 19.05	„B“ = 31.60
SDD-H15H15-5-95-FM	SDD-H15H15-5-95-FMJ	SDD-H15H15-5-95-FMN	SDD-H15H15-5-95-FMNJ	„A“ = 15.88	„B“ = 28.42

**15-pin HD female / 15-pin HD female**



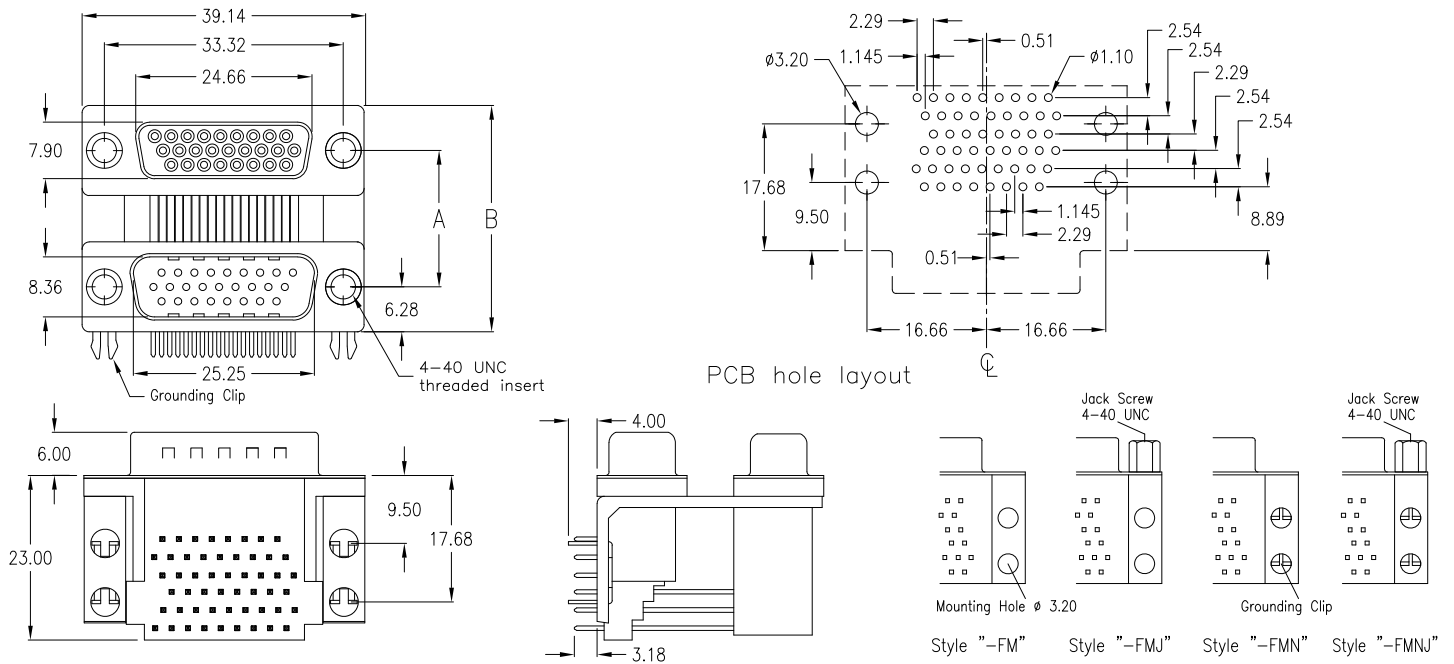
without grounding clips, just 4 mounting holes	without grounding clips, just 4 mounting holes; 4 jack screws 4-40 UNC mounted	with 4 grounding clips (as above drawing)	with 4 grounding clips; 4 jack screws 4-40 UNC mounted	Distance Dimensions (mm)	
SDD-H15H15-4-95-F	SDD-H15H15-4-95-FJ	SDD-H15H15-4-95-FN	SDD-H15H15-4-95-FNJ	„A“ = 19.05	„B“ = 31.60

**26-pin HD female / 26-pin HD female**



without grounding clips just 4 mounting holes	without grounding clips, just 4 mounting holes; 4 jack screws 4-40 UNC mounted	with 4 grounding clips ( as above drawing )	with 4 grounding clips; 4 jack screws 4-40 UNC mounted	Distance Dimensions (mm)	
SDD-H26H26-4-95-F	SDD-H26H26-4-95-FJ	SDD-H26H26-4-95-FN	SDD-H26H26-4-95FNJ	„A“ = 19.05	„B“ = 31.60
SDD-H26H26-5-95-F	SDD-H26H26-5-95-FJ	SDD-H26H26-5-95-FN	SDD-H26H26-5-95FNJ	„A“ = 15.88	„B“ = 28.42

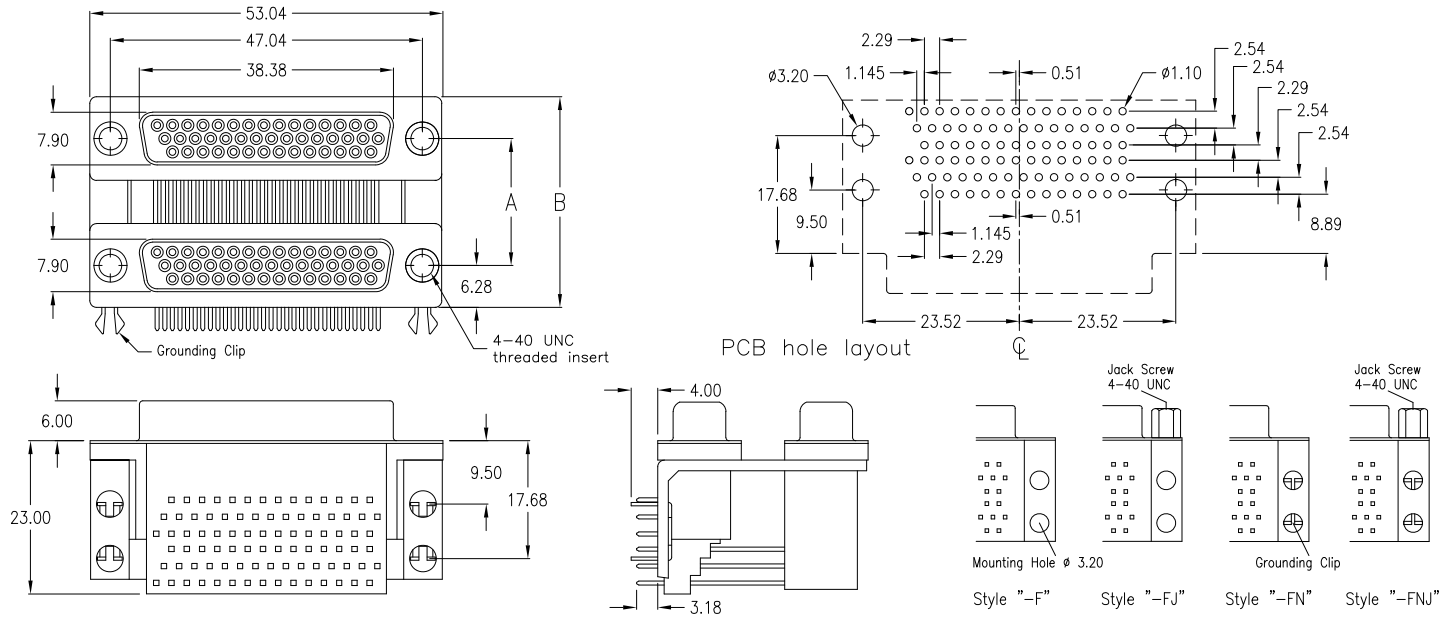
**26-pin HD female / 26-pin HD male**



without grounding clips just 4 mounting holes	without grounding clips, just 4 mounting holes; 4 jack screws 4-40 UNC mounted	with 4 grounding clips ( as above drawing )	with 4 grounding clips; 4 jack screws 4-40 UNC mounted	Distance Dimensions (mm)	
SDD-H26H26-4-95-FM	SDD-H26H26-4-95-FMJ	SDD-H26H26-4-95-FMN	SDD-H26H26-4-95FMNJ	„A“ = 19.05	„B“ = 31.60
SDD-H26H26-5-95-FM	SDD-H26H26-5-95-FMJ	SDD-H26H26-5-95-FMN	SDD-H26H26-5-95FMNJ	„A“ = 15.88	„B“ = 28.42

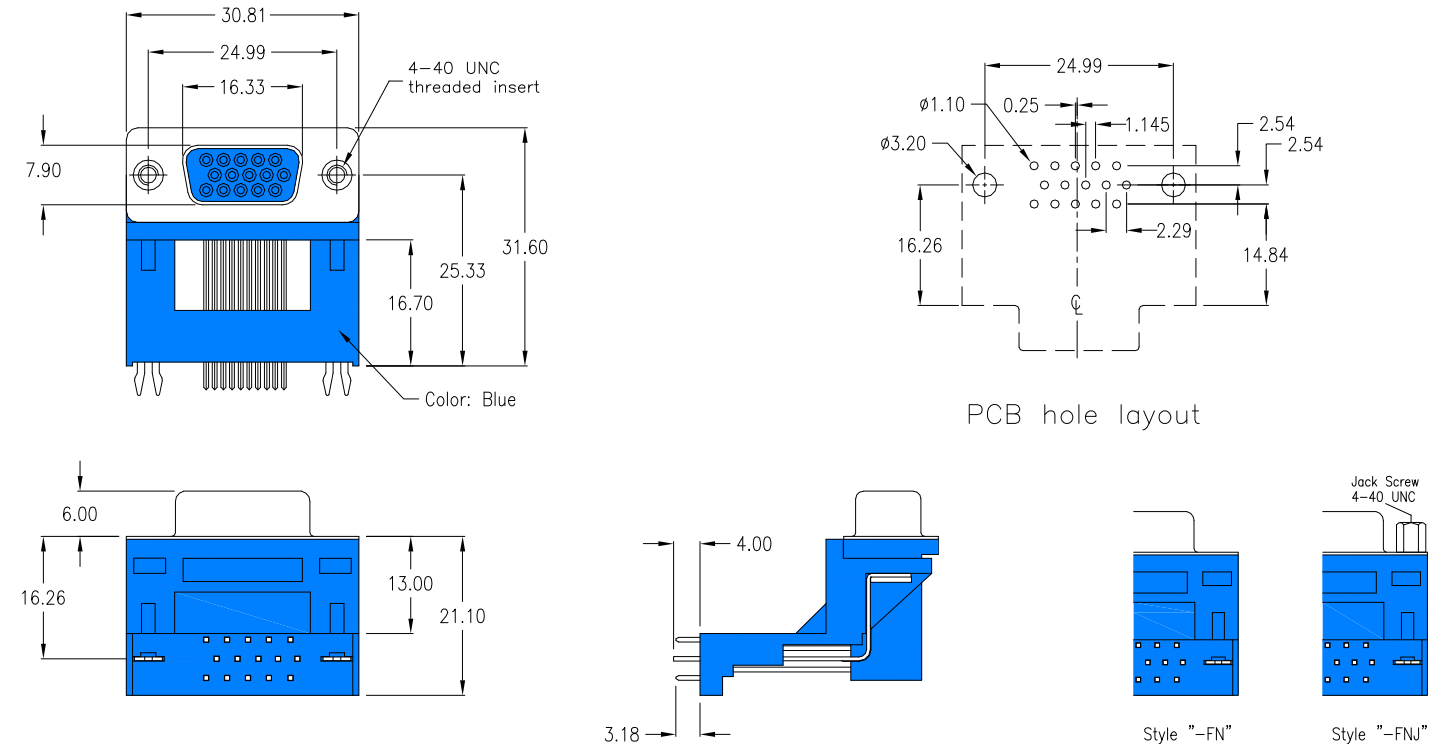


**44-pin HD female / 44-pin HD female**



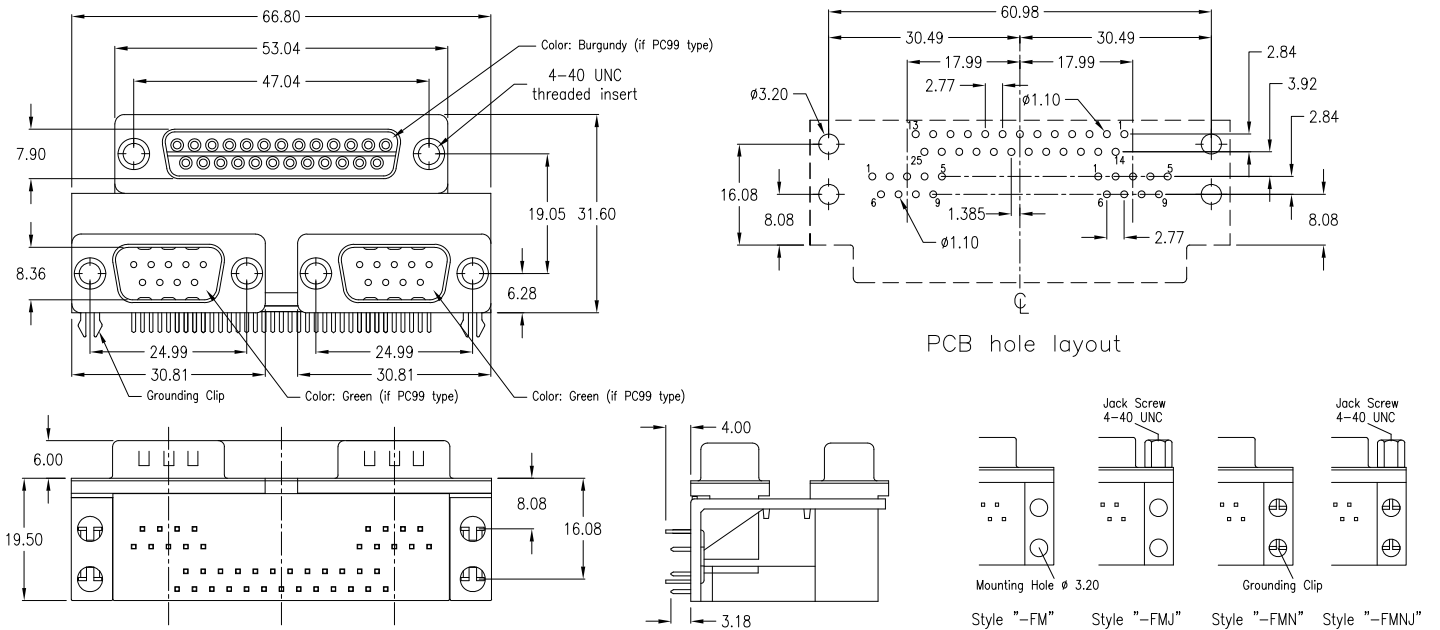
without grounding clips just 4 mounting holes	without grounding clips, just 4 mounting holes; 4 jack screws 4-40 UNC mounted	with 4 grounding clips ( as above drawing )	with 4 grounding clips; 4 jack screws 4-40 UNC mounted	Distance Dimensions (mm)	
SDD-H44H44-4-95-F	SDD-H44H44-4-95-FJ	SDD-H44H44-4-95-FN	SDD-H44H44-4-95FNJ	„A“ = 19.05	„B“ = 31.60
SDD-H44H44-5-95-F	SDD-H44H44-5-95-FJ	SDD-H44H44-5-95-FN	SDD-H44H44-5-95FNJ	„A“ = 15.88	„B“ = 28.42

**15-pin HD female raised**



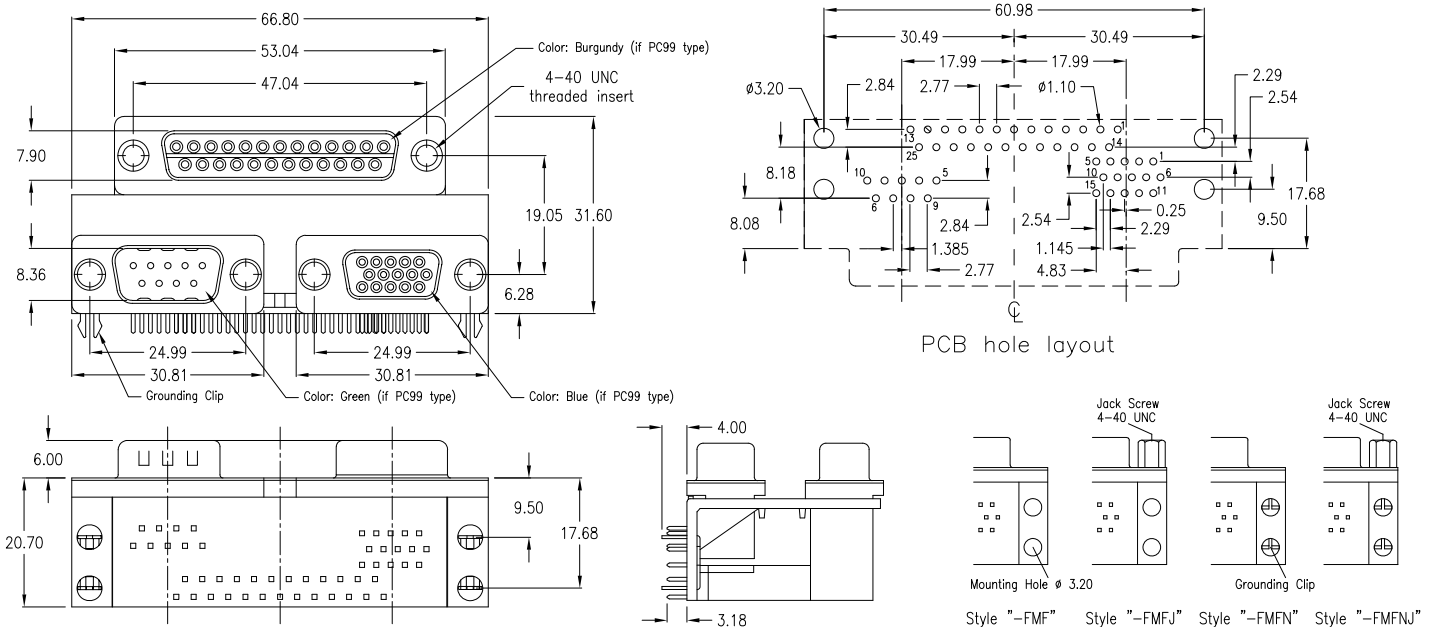
	with 2 grounding clips; w/o jack screws <i>Standard</i> ( as above drawing )	with 2 grounding clips; 2 jack screws 4-40 UNC mounted <i>Option</i>	
	SDD-H1500-2-95-FN	SDD-H1500-2-95-FNJ	

**25-pin female / 9-pin male / 9-pin male**



Version	without grounding clips, just 4 mounting holes	without grounding clips, just 4 mounting holes; 6 jack screws 4-40 UNC mounted	with 4 grounding clips (as above drawing)	with 4 grounding clips; 6 jack screws 4-40 UNC mounted
Standard: black color Insulator	SDD-2599-2-95-FMM	SDD-2599-2-95-FMMJ	SDD-2599-2-95-FMMN	SDD-2599-2-95-FMMNJ
meets PC99 spec	SDP-2599-2-95-FMM	SDP-2599-2-95-FMMJ	SDP-2599-2-95-FMMN	SDP-2599-2-95-FMMNJ

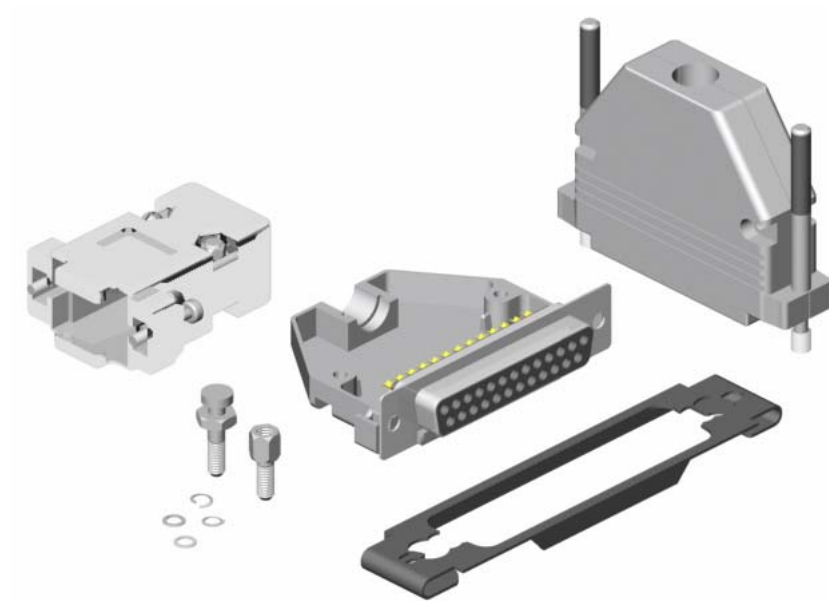
**25-pin female / 9-pin male / 15-pin HD female**



Version	without grounding clips just 4 mounting holes	without grounding clips, just 4 mounting holes; 6 jack screws 4-40 UNC mounted	with 4 grounding clips (as above drawing)	with 4 grounding clips; 6 jack screws 4-40 UNC mounted
Standard: black color Insulator	SDD-259H15-4-95-FMF	SDD-259H15-4-95-FMFJ	SDD-259H15-4-95-FMFN	SDD-259H15-4-95-FMFNJ
meets PC99 spec.	SDP-259H15-4-95-FMF	SDP-259H15-4-95-FMFJ	SDP-259H15-4-95-FMFN	SDP-259H15-4-95-FMFNJ

# D-Sub

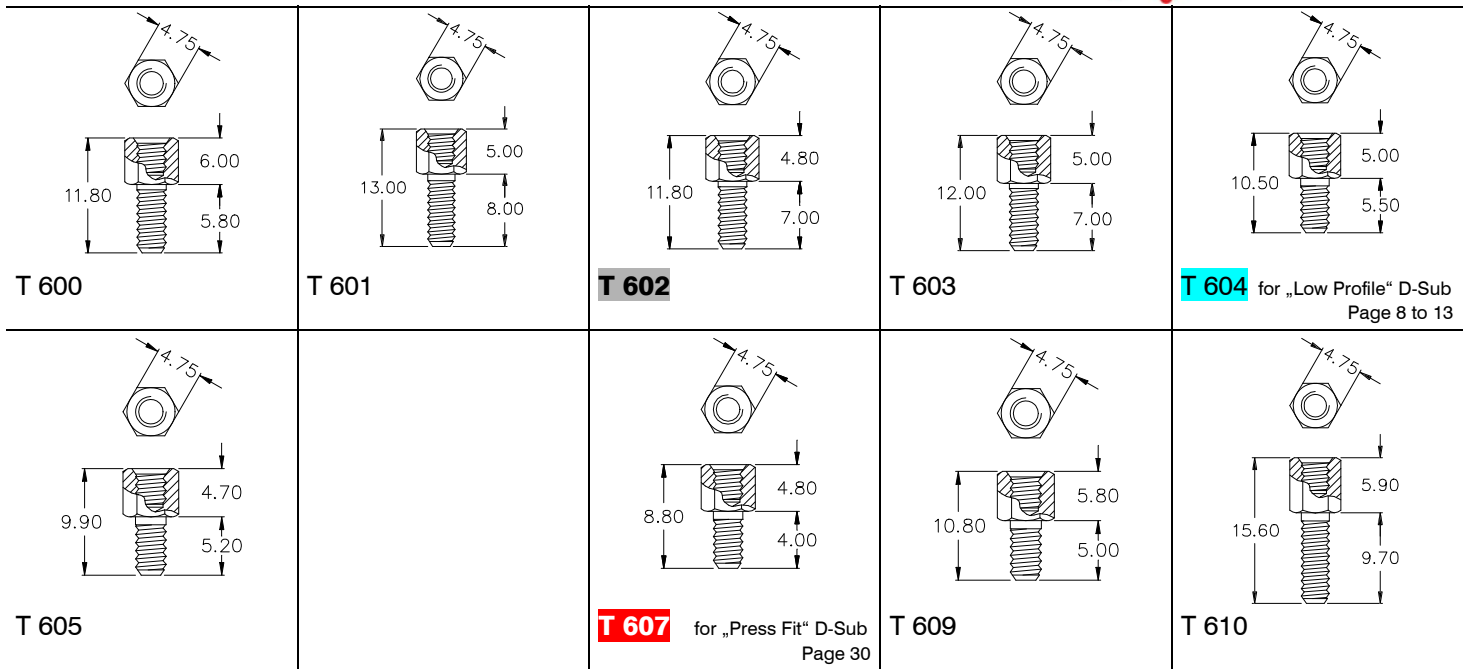
## Accessories & Technical Data



E-tec's D-Sub Connector accessories.

EMI / RFI full metal hoods, plastic and plastic metallized hoods.

Slide lock parts and a variety of jack screws.



### Ordering Code

**JSR - xxx - X xxx - NN**

thread combination		thread combi-code
inside	outside	
M 2,6	4-40 UNC	<b>244</b>
2-56 UNC	2-56 UNC	<b>256</b>
M 3	M 3	<b>300</b>
M 3	M 2,6	<b>326</b>
M 3	4-40 UNC	<b>344</b>
4-40 UNC	4-40 UNC	<b>440</b>
4-40 UNC	M 3	<b>443</b>

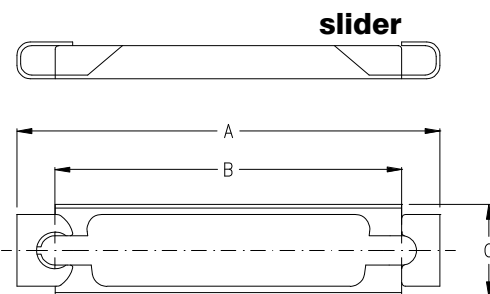
### size type

<b>T 600</b>	
<b>T 601</b>	
<b>T 602</b>	standard type
<b>T 603</b>	
<b>T 604</b>	for „Low Profile“ D-Sub; Page 8 to 13
<b>T 605</b>	
<b>T 607</b>	for „press fit“ D-Sub; Page 30
<b>T 609</b>	
<b>T 610</b>	

If you order D-Sub connector assembled with Jack screw, T602 type always will be delivered.

Jack Screws with other dimension, also round head, are available on request.

### Slide locking accessories



### Ordering Code

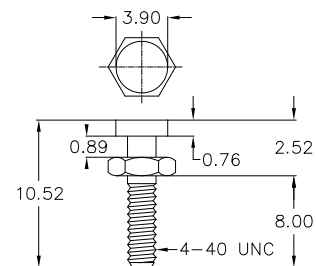
**SLO - xxx - T 106 - NN**

No. of contacts

**009 - 015 - 025** other sizes on request

- A set of slider consists of:
- \* 1 frame
  - \* 2 screws 4-40 UNC
  - \* 2 washers
  - \* 2 nuts 4-40 UNC

### locking post



### Ordering Code

**JLP - 440 - T 106 - NN**

If you want to have assembled to the D-Sub connector direct, please ask the nearest E-tec office or Distributor

**Jack Screws and Slide locking accessories are Nickel plated**

**metal hood**

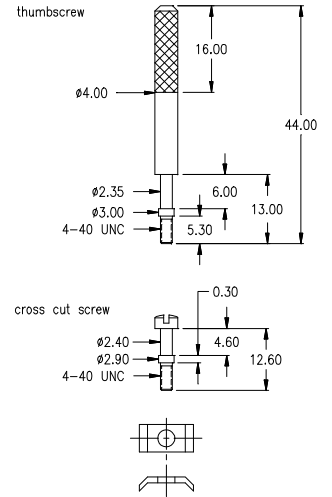
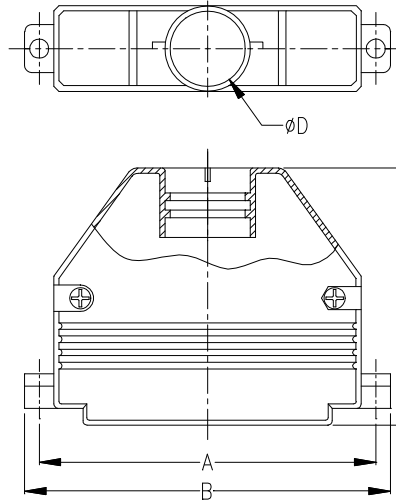
materials *RoHS compliant*

hood: zinc alloy Nickel plated

screw: steel

Please ask for detail drawing each type.

Dimension				D-Sub contacts
A	B	C	D	
24.99	31.00	47.00	7.00	<b>009 / 015</b> (HD)
33.32	40.00	48.20	10.00	<b>015 / 026</b> (HD)
47.04	53.30	48.70	14.00	<b>025 / 044</b> (HD)
63.50	69.00	48.60	14.00	<b>037 / 062</b> (HD)
61.11	67.00	48.30	14.00	<b>050 / 078</b> (HD)



**Ordering Code**

**HSM - xxx - S xxx - xx Z**

<p><b>Size Code</b></p> <p><b>009</b> = 9-pole Std. / 15-pole HD  <b>015</b> = 15-pole Std. / 26-pole HD  <b>025</b> = 25-pole Std. / 44-pole HD  <b>037</b> = 37-pole Std. / 62-pole HD  <b>050</b> = 50-pole Std. / 78-pole HD</p>	<p><b>screw type</b></p> <p><b>101</b> = <b>cross cut screw</b> not available for 90° cable exit  <b>102</b> = <b>thumbscrew</b></p> <p>others on request</p>	<p><b>cable exit</b></p> <p><b>00</b> = <b>straight</b>  <b>90</b> = <b>90°</b></p> <p>with Rubber grommet:  <b>0R</b> = <b>straight</b>  <b>9R</b> = <b>90°</b></p> <p>90° cable exit only for size code  009/H15 015/H26 025/H44</p>
--	---	--

**plastic hood**

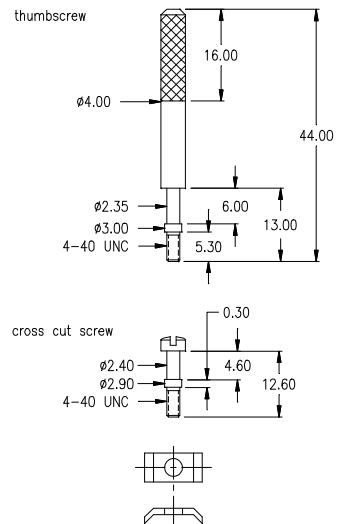
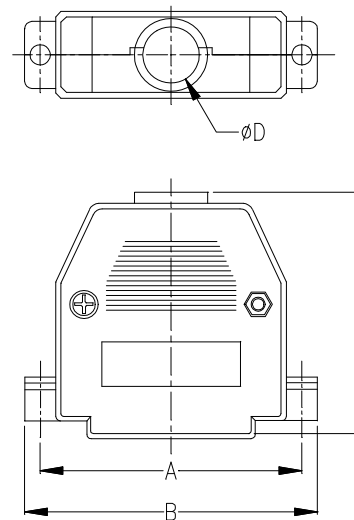
materials *RoHS compliant*

hood: PBT UL 94-V0

screw: steel

Please ask for detail drawing each type.

Dimension				D-Sub contacts
A	B	C	D	
24.99	30.80	40.50	7.00	<b>009 / 015</b> (HD)
33.32	39.70	38.80	9.70	<b>015 / 026</b> (HD)
47.04	55.00	44.50	14.00	<b>025 / 044</b> (HD)
63.50	69.00	52.50	14.00	<b>037 / 062</b> (HD)
61.11	67.00	48.30	14.00	<b>050 / 078</b> (HD)



**Ordering Code**

**HS X - xxx - S xxx - xx Z**

<p><b>colour / type</b></p> <p><b>B</b> = <b>black</b>  <b>G</b> = <b>grey</b>  <b>C</b> = <b>chromated</b></p> <p>others on request</p>	<p><b>Size Code</b></p> <p><b>009</b> = 9-pole Std. / 15-pole HD  <b>015</b> = 15-pole Std. / 26-pole HD  <b>025</b> = 25-pole Std. / 44-pole HD  <b>037</b> = 37-pole Std. / 62-pole HD  <b>050</b> = 50-pole Std. / 78-pole HD</p>	<p><b>screw type</b></p> <p><b>101</b> = <b>cross cut screw</b> not available for 45° cable exit  <b>102</b> = <b>thumbscrew</b></p> <p>others on request</p>	<p><b>cable exit</b></p> <p><b>00</b> = <b>straight</b>  <b>45</b> = <b>45°</b></p>
--	--	---	---



**mechanical data**

Mating force per contact	≤ 3,4 N
Unmating force per contact	≥ 0,2 N
Temperature range	-55° C to +105° C
Processing temperature wave solder (solder bath)	+250°C +0/-5°C for 10sec.
Processing temperature SMT and “pin in paste”	+250°C +0/-5°C for 10sec.
Moisture absorption from air 50% rh	0,10%
IDC Connector types accept AWG 26 or AWG 28 standard wire	

**materials and plating** (RoHS compliant)

Insulator for wave solder technology, standard black - PC 99 colourful insulator	thermoplastic glassfilled UL 94V – 0 Yellowish brown - Pantone # 131C 15-pos. female Burgundy - Pantone # 235C 25-pos. female Teal - Pantone # 322C 9-pos. male Blue - Pantone # 661C HD 15-pos.
female	
Insulator for SMT and “Pin-In-Paste”	Nylon UL 94V-0
Shell	Steel, Ni plated
Bracket	Brass, tin plated
Male contact	Copper Alloy (Standard; others on request)
- plating	-95 = solder side Sn; contact side Au over Ni -55 = solder and contact side Au over Ni
Female contact	Copper Alloy (Standard; others on request)
- plating	-95 = solder side Sn; contact side Au over Ni -55 = solder and contact side Au over Ni -NN = Ni
D-Sub Accessories (page 70) plating	

**electrical data**

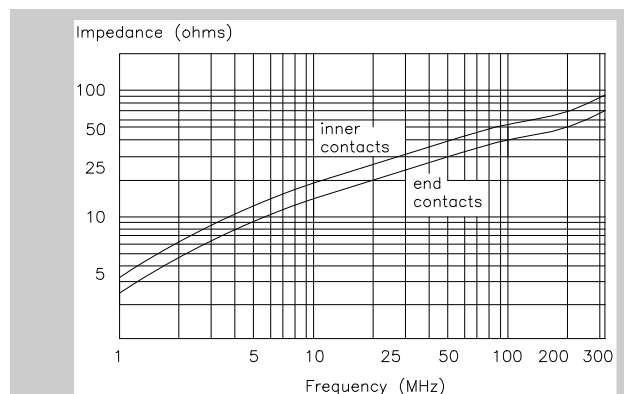
max. Current rating	5 A/25°C 3 A/70°C (High Density types 3A / IDC types 1A)
Operating voltage	250 V
Test voltage between contacts	1000 V / 50/60 Hz / 1 Minute
Test voltage between shell and contacts	1000 V / 50/60 Hz / 1 Minute
Resistance between mated contacts	< 30 m Ω
Insulation resistance	≥ 1000 M Ω at 500V DC
Dielectric strength	1000 V AC min. for 1 Minute
Volume resistivity	10 <sup>16</sup> Ω cm (ASTM-D 257 )

**available performance classes**

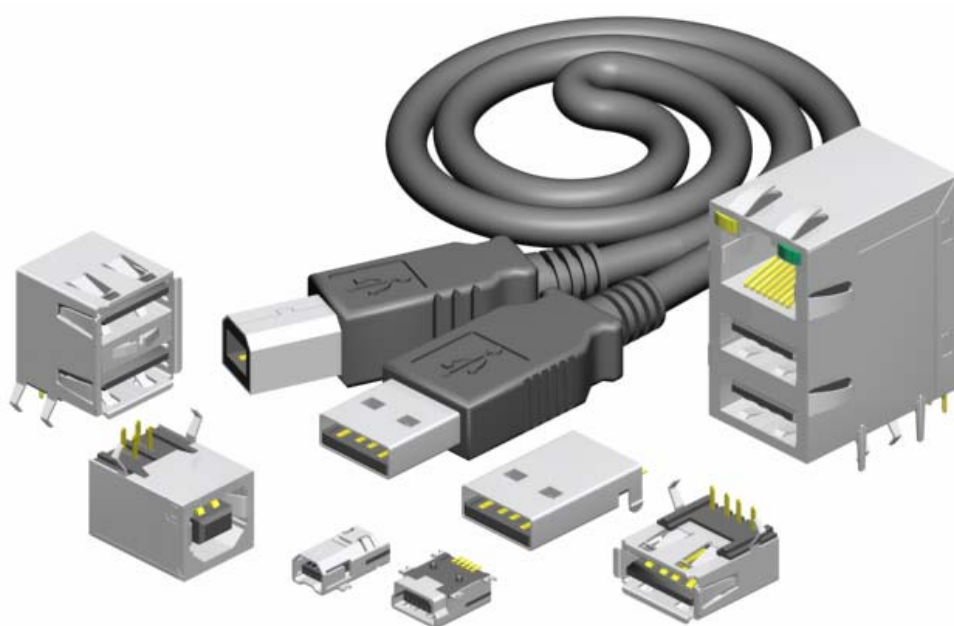
E-tec D-Sub connectors comply with Performance Class 3 (min. 50 contact cycles).  
Please contact E-tec first for availability of Performance Class 2 (min. 200 contact cycles) and 1 (min. 500 contact cycles)

**D-Sub with Filter ( ferrite )**

Frequency range	10 - 300 MHz
Impedance	5 MHz - 15 Ω
	25 MHz - 30 Ω
	100 MHz - 50 Ω
	300 MHz - 75 Ω



# U S B & IEEE 1394 Connectors



The USB ( Universal Serial Bus ) connectors allow „plug & play“ connection of peripherals to PC ´s.

Hot plugging and automatic reconfiguration are the main advantages of this technology.

The USB product line comprises SMT and thru-hole PCB mounting connectors, all of which comply to international standards.

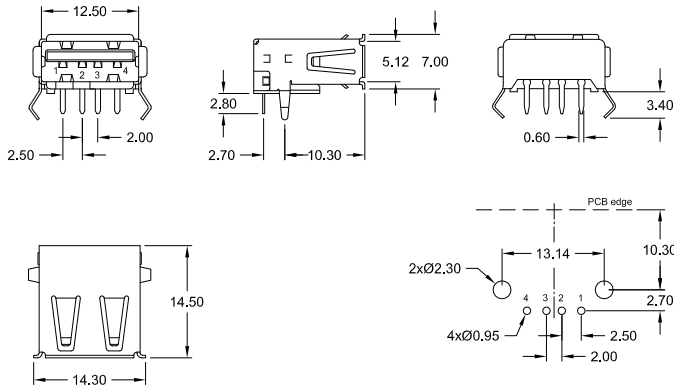
USB & IEEE1394 cable assemblies are available on request or please refer to [www.e-tec.com](http://www.e-tec.com) for more details.

# USS Series

## USB Connector Type „A”



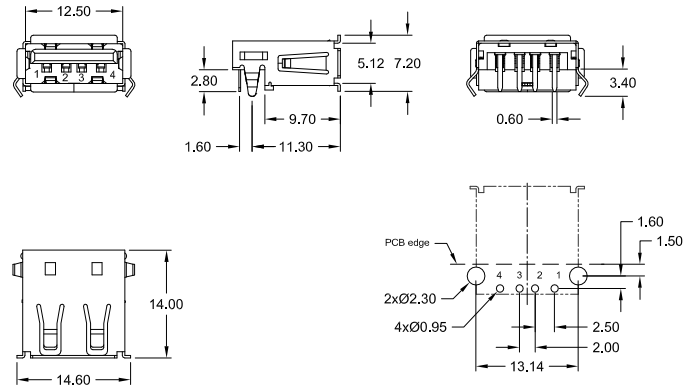
### single port right angle; soldertail



#### ORDER CODE:

USB 1.0 corresponding **USS - W04 - RA01 - 95** (- B04 - if black housing)  
 USB 2.0 corresponding **USS - W04 - RA21 - 98** (- B04 - if black housing)

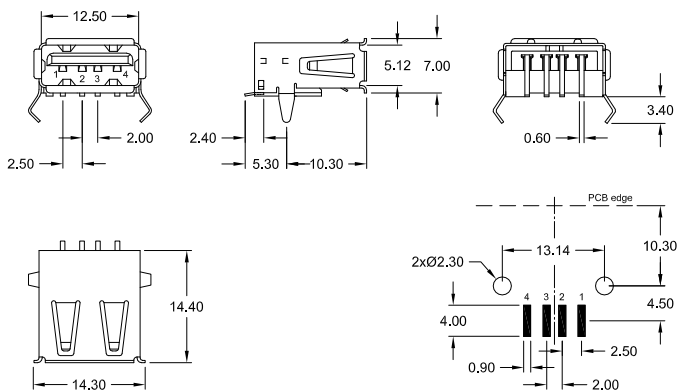
### “low profile” single port right angle; soldertail



#### ORDER CODE:

USB 1.0 corresponding **ULS - W04 - RAS0 - 95** (- B04 - if black housing)  
 USB 2.0 corresponding **ULS - W04 - RAS2 - 98** (- B04 - if black housing)

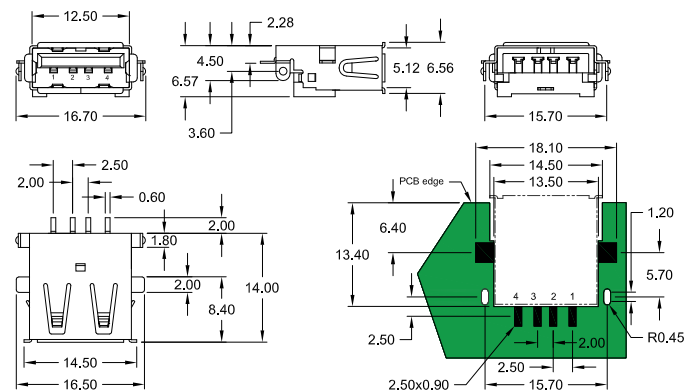
### single port right angle; SMT



#### ORDER CODE:

USB 1.0 corresponding **USS - W04 - SAS0 - 95** (- B04 - if black housing)  
 USB 2.0 corresponding **USS - W04 - SAS2 - 98** (- B04 - if black housing)  
 Please contact your closest E-tec sales office for order code if reel packaging is required.

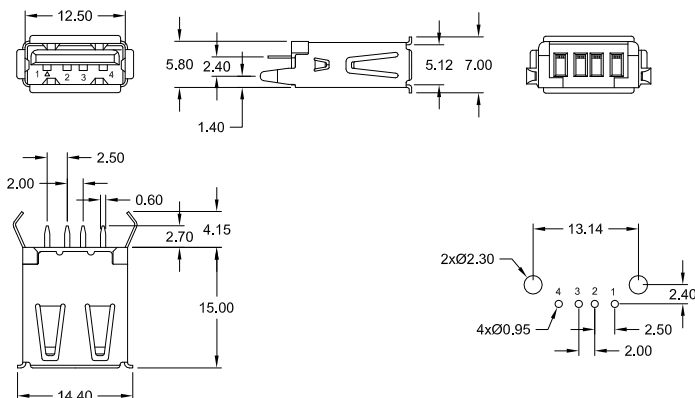
### “embedded” single port right angle; SMT



#### ORDER CODE:

USB 1.0 corresponding **ULS - W04 - SAS0 - 95** (- B04 - if black housing)  
 USB 2.0 corresponding **ULS - W04 - SAS2 - 98** (- B04 - if black housing)  
 Please contact your closest E-tec sales office for order code if reel packaging is required.

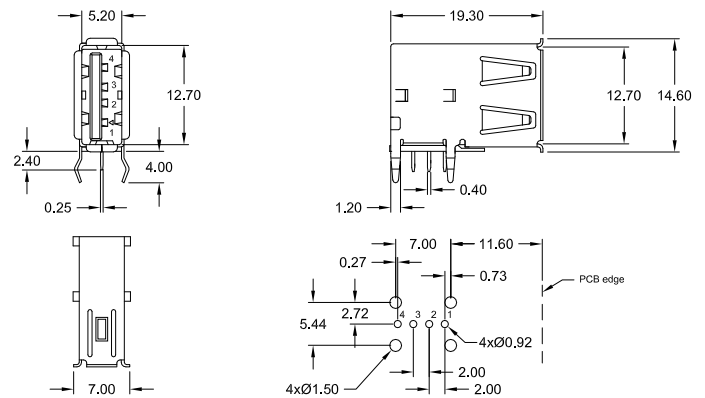
### single port top entry; soldertail



#### ORDER CODE:

USB 1.0 corresponding **USS - W04 - TA01 - 95** (- B04 - if black housing)  
 USB 2.0 corresponding **USS - W04 - TA21 - 98** (- B04 - if black housing)

### single port vertical; soldertail „one line foot”



#### ORDER CODE:

USB 1.0 corresponding **USS - W04 - VA01 - 95** (- B04 - if black housing)  
 USB 2.0 corresponding **USS - W04 - VA21 - 98** (- B04 - if black housing)

## Specification

#### Material

Contact	(RoHS compliant)	Phosphor bronze
Plating:	Contact area	Au flash over Ni (USB 1.0 corresponding) Au 30μ” over Ni (USB 2.0 corresponding)
	Solder area	Sn (leadfree)
Housing	(RoHS compliant)	PBT white UL 94-V0 (PBT black on request)
SMT Housing	(RoHS compliant)	PA 9T UL 94-V0
Shell	(RoHS compliant)	brass, 80μ”-120μ” Ni plated

#### Mechanical

Mating cycles	1.500 min.
---------------	------------

#### Electrical

Current rating	1,5 A max. 1 Contact (Signal only)
Voltage rating	30V AC (rms)
Withstanding voltage	750V AC (rms) 1 Minute (USB 1.0) 500V AC (rms) 1 Minute (USB 2.0)
Insulation resistance	1.000MΩ min. (500V DC)
Contact resistance	30mΩ max.

#### Others

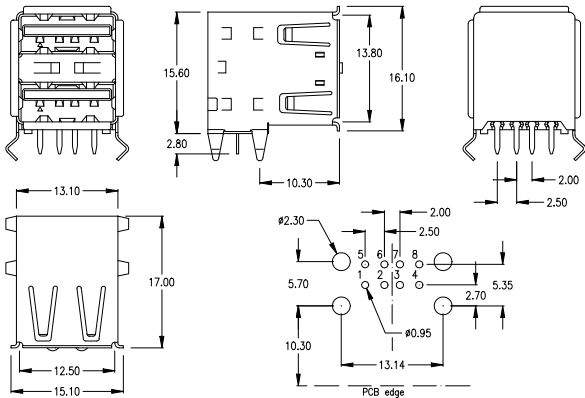
Operating temperature	-55° C to +85° C
Processing temp. for SMT type	+260° C for 10 sec. max.



# USS Series Multi Port USB Connector Type „A”



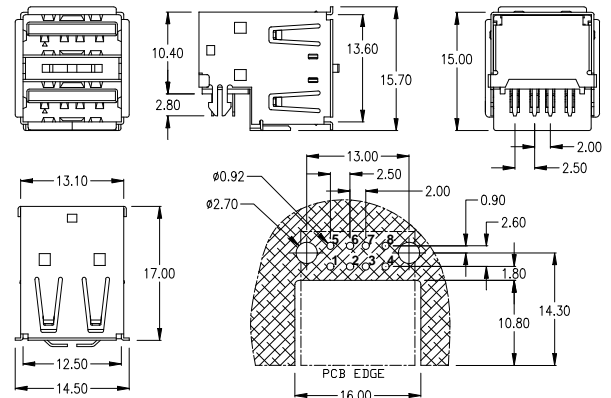
**dual port right angle; solder-tail**



**ORDER CODE:**

USB 1.0 corresponding **USS - W08 - RA02 - 95** (- B08 - if black housing)  
 USB 2.0 corresponding **USS - W08 - RA22 - 98** (- B08 - if black housing)

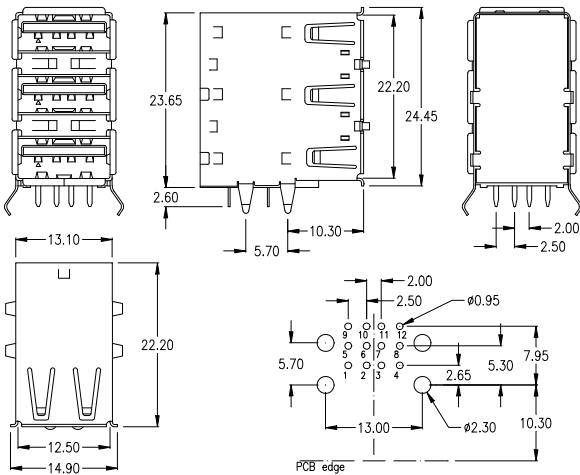
**dual port "low profile" right angle; solder-tail**



**ORDER CODE:**

USB 1.0 corresponding **ULS - W08 - RA02 - 95** (- B08 - if black housing)  
 USB 2.0 corresponding **ULS - W08 - RA22 - 98** (- B08 - if black housing)

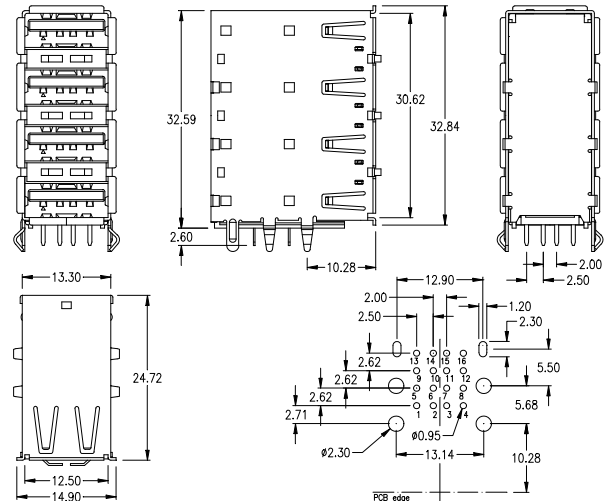
**triple port right angle; solder-tail**



**ORDER CODE:**

USB 1.0 corresponding **USS - B12 - RA03 - 95** (- W12 - if white housing)  
 USB 2.0 corresponding **USS - B12 - RA23 - 98** (- W12 - if white housing)

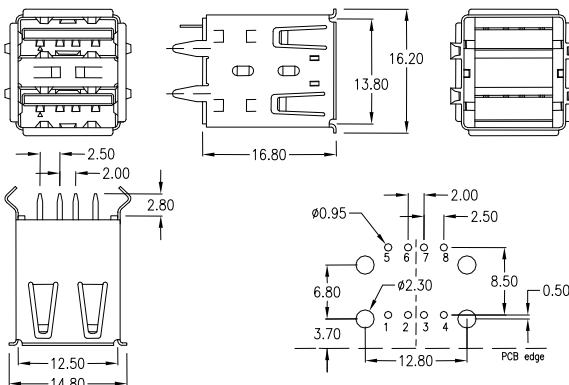
**quad port right angle; solder-tail**



**ORDER CODE:**

USB 1.0 corresponding **USS - B16 - RA04 - 95** (- W16 - if white housing)  
 USB 2.0 corresponding **USS - B16 - RA24 - 98** (- W16 - if white housing)

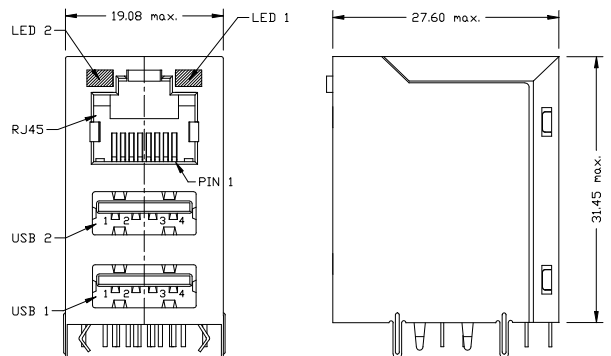
**dual port "top entry"; solder-tail**



**ORDER CODE:**

USB 1.0 corresponding **USS - W08 - TA02 - 95** (- B08 - if black housing)  
 USB 2.0 corresponding **USS - W08 - TA22 - 98** (- B08 - if black housing)

**USB / RJ45 Combi Multi Port**



E-tec also offers a USB / RJ45 Combi Multi Port as TX filtered transformer type with integrated LED. Datasheets of the different available variations can be obtained on [www.e-tec.com](http://www.e-tec.com) or from your closest E-tec sales office.

**Specification**

**Material**

Contact (RoHS compliant) Phosphor Bronze  
 Plating:  
 Contact area Au flash over Ni (USB 1.0 corresponding)  
 Au 30µ" over Ni (USB 2.0 corresponding)  
 Solder area Sn (leadfree)  
 Housing (RoHS compliant) PBT UL 94-V0  
 Shell (RoHS compliant) Brass, 80µ"-120µ" Ni plated

**Mechanical**

Mating cycles 1.500 min.

**Electrical**

Current rating 1,5 A max. 1 Contact (Signal only)  
 Voltage rating 30V AC (rms)  
 Withstanding voltage 750V AC (rms) 1 Minute (USB 1.0)  
 500V AC (rms) 1 Minute (USB 2.0)  
 Insulation resistance 1.000MΩ min. (500V DC)  
 Contact resistance 30mΩ max.

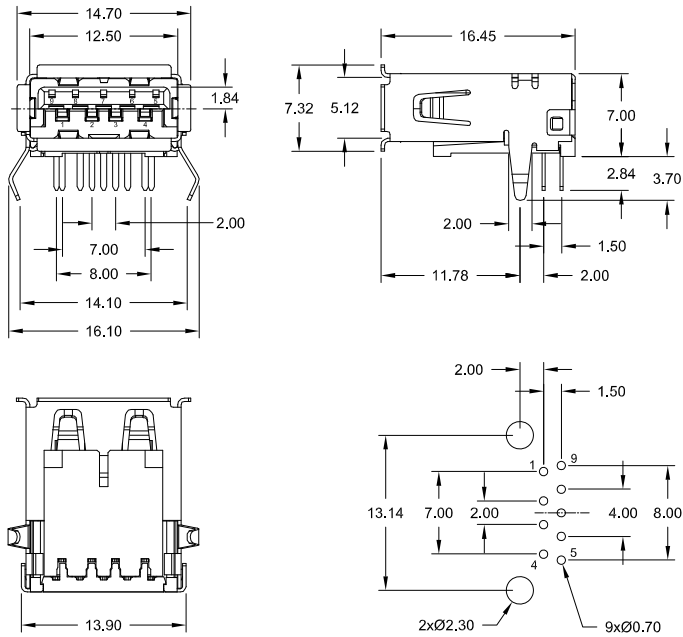
**Others**

Operating temperature -55° C to +85° C

# USS Series USB 3.0 Connector Type „A”

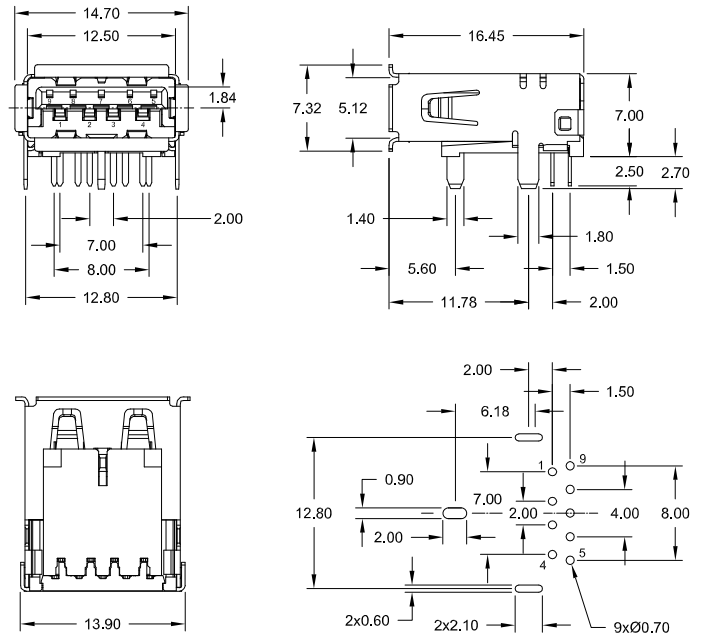


## single port right angle; THT “kinked” gnd. Tabs



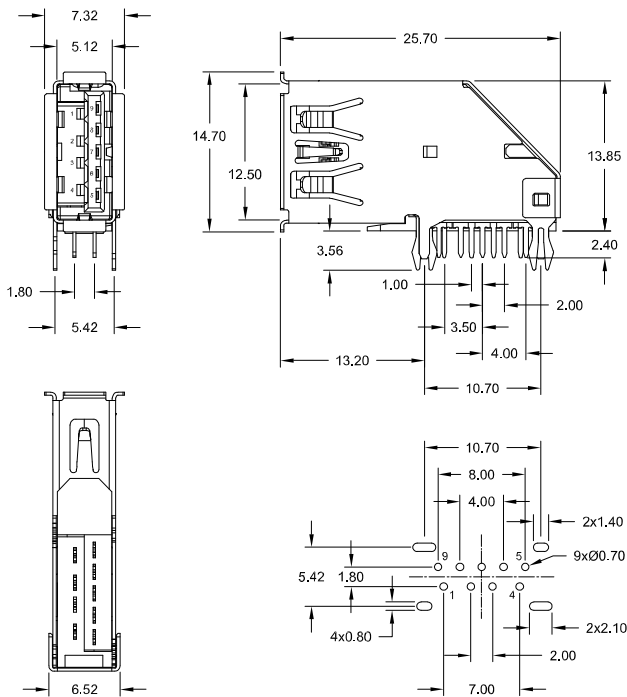
ORDER CODE: **USS - BU09 - RA31 - 98**

## single port right angle; THR “straight” gnd. Tabs



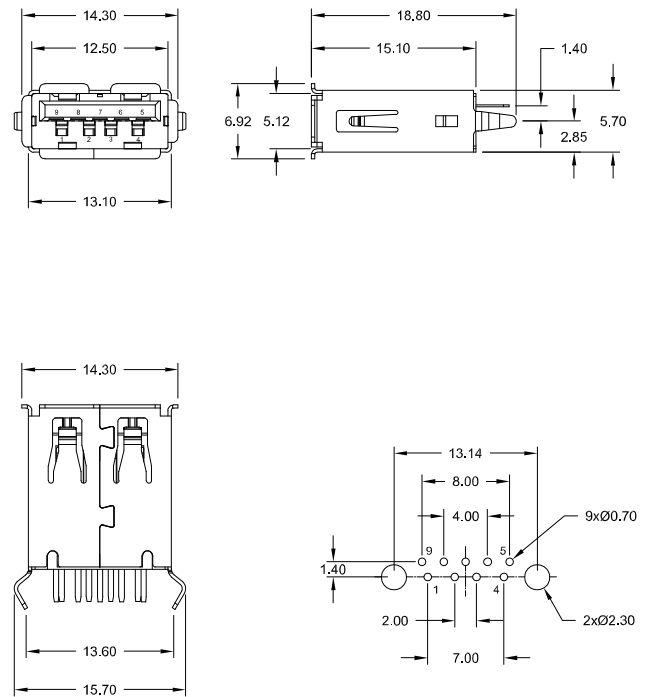
ORDER CODE: **USS - BU09 - RRAS31 - 98**

## single port “upright” right angle; THT



ORDER CODE: **USS - BU09 - VA31 - 98**

## single port top entry; THT



ORDER CODE: **USS - BU09 - TA31 - 98**

## Specification

### Material

Contact	Phosphor bronze
Plating:	
Solder area	Sn ( <i>leadfree</i> )
Contact area	Au 30µ" over Ni
Housing	P.B.T. blue UL 94-V0
Type -RRAS31-	LCP blue UL 94-V0
Shell	Steel, 80µ"-120µ" Ni plated

### Mechanical

Mating cycles	1.500 min.
---------------	------------

### Electrical

Current rating/contact	1,8A max. (Signal only; 1 & 4) 0,25A max. (all other)
Voltage rating	100V AC (rms)
Withstanding voltage	500V AC (rms) 1 Minute
Insulation resistance	100MΩ min. (500V DC)
Contact resistance	30mΩ max. (Signal only; 1 & 4)
50mΩ max. (all other)	

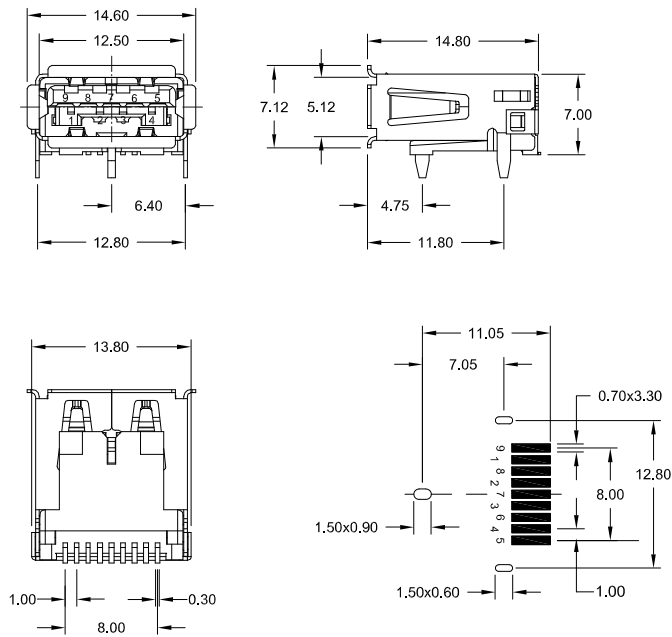
### Others

Operating temperature	-55° C to +85° C
Processing temperature (THR)	-55° C to +105° C -RRAS31- Type +260° C +0/-5° C for 5 seconds

# USS / ULS Series USB 3.0 Connector Type „A”

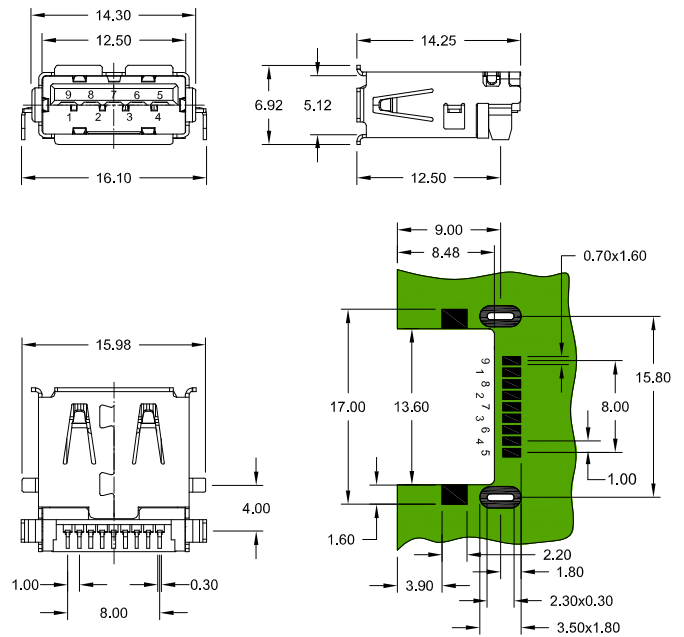


single port right angle; SMT



ORDER CODE: **USS - BU09 - SAS31 - 98**

single port right angle; SMT "Embedded"



ORDER CODE: **ULS - BU09 - SAS31 - 98**

## Specification

### Material

Contact	Phosphor bronze
Plating:	
Solder area	Sn ( <i>leadfree</i> )
Contact area	Au 30μ" over Ni
Housing	LCP blue UL 94-V0
Shell	Brass, 80μ"-120μ" Ni plated

### Mechanical

Mating cycles	1.500 min.
---------------	------------

### Packing

Standard	Tray
Option	Reel

### Electrical

Current rating/contact	1,8 A max. (Signal only; 1 & 4) 0,25A max. (all other)
Voltage rating	100V AC (rms)
Withstanding voltage	500V AC (rms) 1 Minute
Insulation resistance	100MΩ min. (500V DC)
Contact resistance	30mΩ max. (Signal only; 1 & 4) 50mΩ max. (all other)

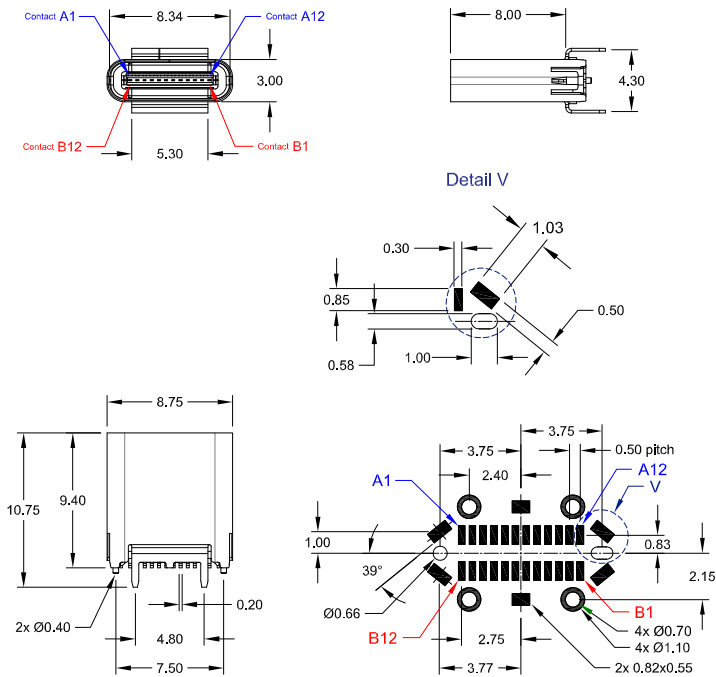
### Others

Operating temperature	-55° C to +105° C
Processing temperature	+260°C +0/-5°C for 5 seconds

# UNS Series USB 3.1 Connector Type C™

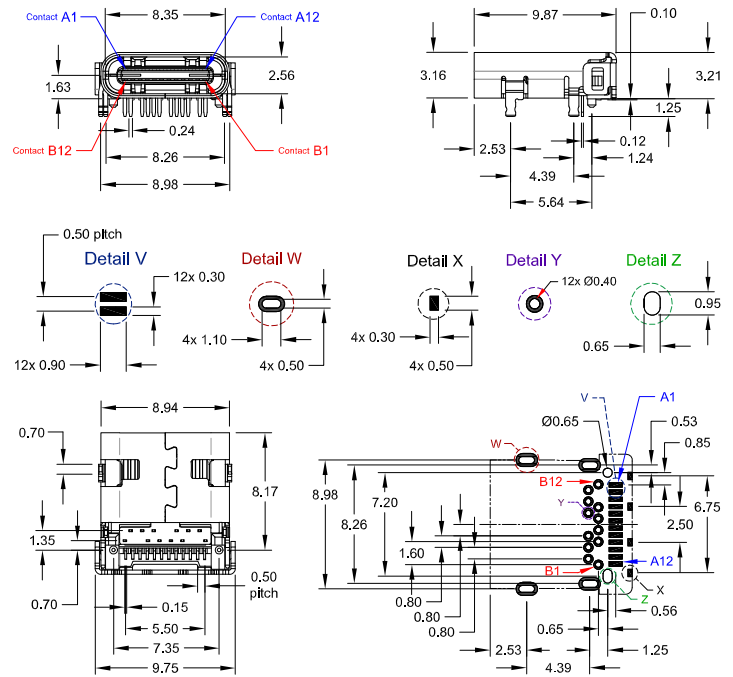


## single port right angle; SMT "Vertical" Type



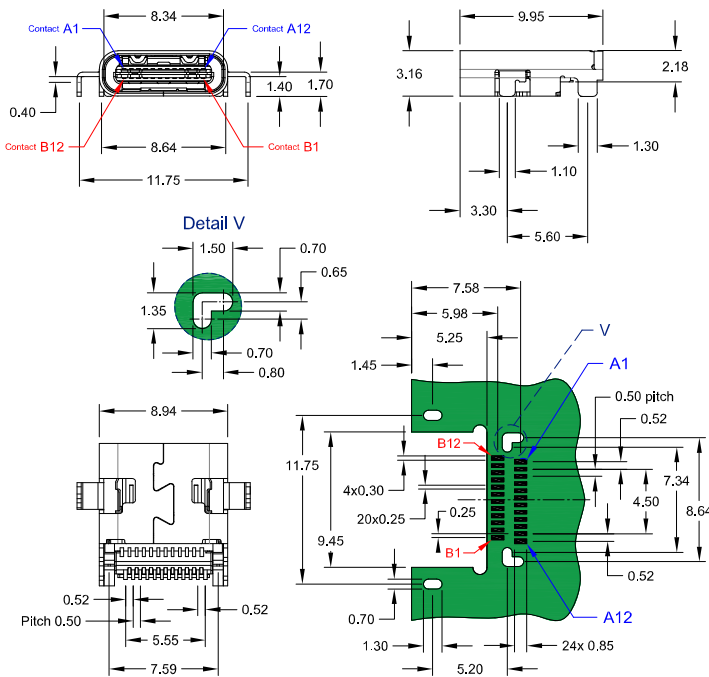
ORDER CODE: **UNS - B24/2 - UC131 - 98/B**

## single port right angle; SMT/THR "Hybrid" Type



ORDER CODE: **UNS - B24 - SR2C131 - 58/R**

## single port right angle; SMT "Embedded" Type



ORDER CODE: **UNS - B24/M - S2C131 - 98/R**

## Specification

### Material

Contact	Copper alloy
Plating:	
Solder area	Sn (leadfree)
-SR2C131- type	Au flash
Contact area	LCP 30µ" over Ni
Housing	LCP black UL 94-V0
Shell	Stainless Steel, 50µ" min. Sn plated

### Mechanical

Mating cycles	10.000 min.
---------------	-------------

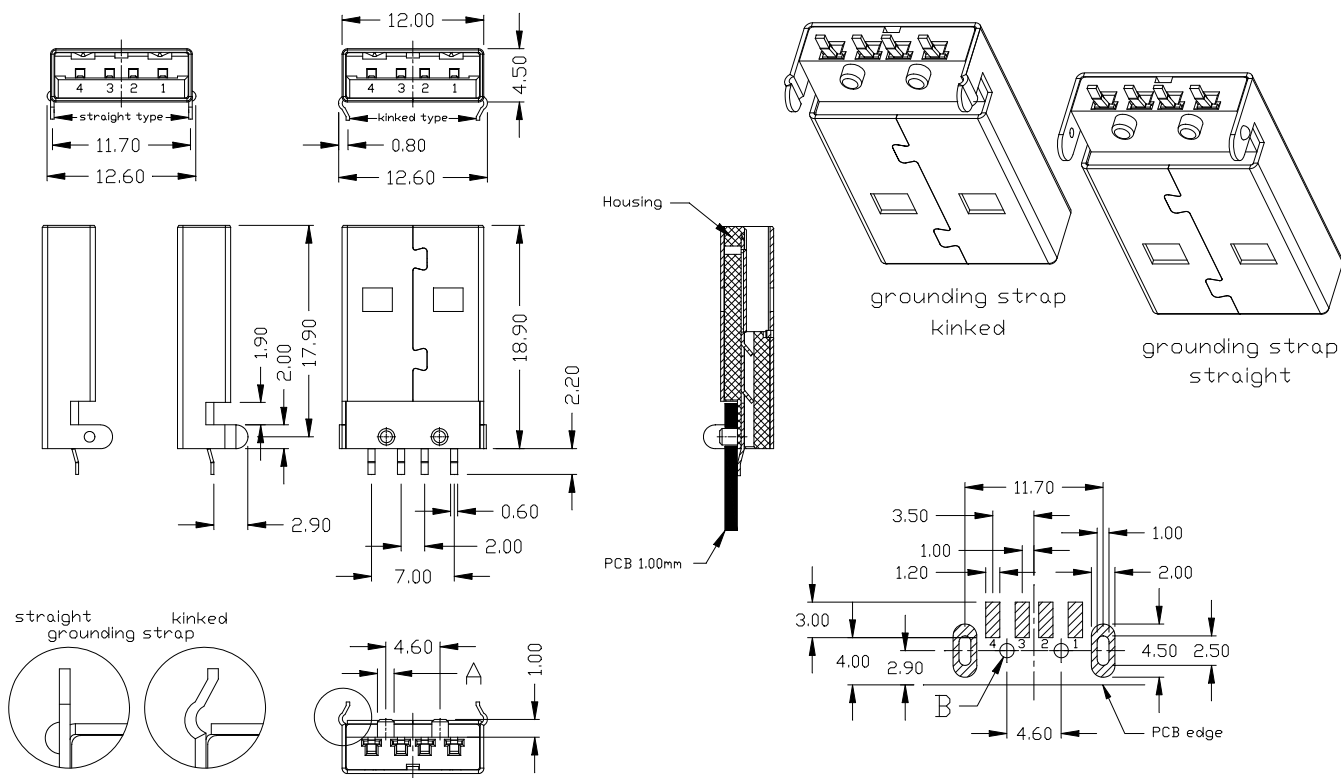
### Electrical

Current rating/contact	1,25A max. (VBUS & GND Contacts) 0,25A max. (all other)
Voltage rating	5V AC max.
Withstanding voltage	100V AC
Insulation resistance	100MΩ min.
Contact resistance	40mΩ max.
50mΩ max. (all other)	

### Others

Operating temperature	-55° C to +105° C
Processing temperature (THR)	+260°C +0/-5°C for 5 seconds

SMT Type



Recommendation:

DIM. "B" =  $\varnothing$  1,20mm if locating peg  $\varnothing$  "A"=1,00mm

DIM. "B" =  $\varnothing$  1,60mm if locating peg  $\varnothing$  "A"=1,40mm

ORDER CODE

USP - B 04 - SA x x - XX

Housing Colour

Black (Standard) = B  
others on request

USB Corresponding

- 1 - 95 = USB 1.0 corresponding
- 2 - 98 = USB 2.0 corresponding

Execution

- 0 = kinked grounding pins; locating pegs  $\varnothing$ 1.00mm
- 1 = straight grounding pins; locating pegs  $\varnothing$ 1.00mm
- 2 = kinked grounding pins; locating pegs  $\varnothing$ 1.40mm
- 3 = straight grounding pins; locating pegs  $\varnothing$ 1.40mm  
( for locating peg dim. pls. go to drawing DIM. "A" )

Specification

Material

Contact (RoHS compliant)	Brass
Plating:	
Contact area	Au flash over Ni (USB 1.0 corresponding) Au 30 $\mu$ over Ni (USB 2.0 corresponding)
Solder area	Sn (leadfree)
Housing (RoHS compliant)	Nylon UL 94-V0
Shell (RoHS compliant)	brass, 80 $\mu$ "-120 $\mu$ " Ni plated

Mechanical

Mating cycles	1.500 min.
SMT coplanarity	0.10mm

Electrical

Current rating	1 A max. 1 Contact (Signal only)
Voltage rating	30V AC (rms)
Withstanding voltage	750V AC (rms) 1 Minute (USB 1.0) 500V AC (rms) 1 Minute (USB 2.0)
Insulation resistance	1.000M $\Omega$ min. (500V DC)
Contact resistance	30m $\Omega$ max.

Others

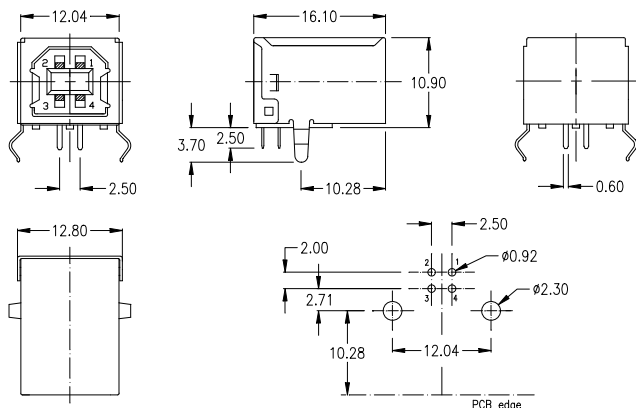
Operating temperature	-55° C to +85° C
Processing temperature	+260° C for 10 sec. max.

# USS Series - USB Connector

## Type „B”

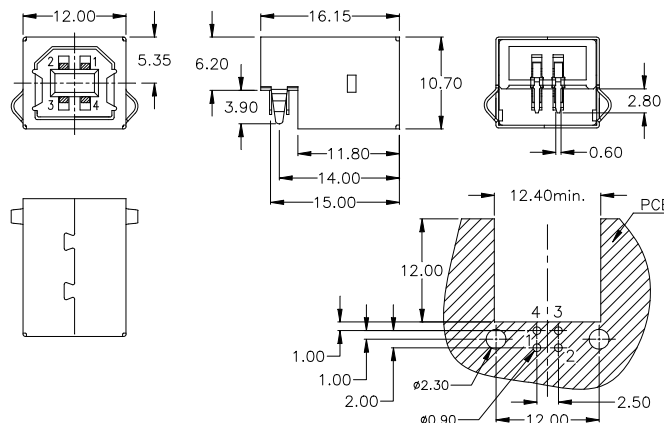


single port right angle; soldertail



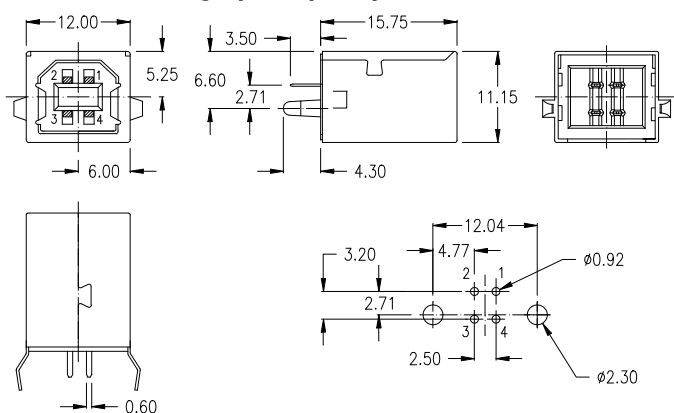
ORDER CODE **1.0 Type: USS - W04 - RB01 - 95** (- B04 - if black insulator)  
 ORDER CODE **2.0 Type: USS - W04 - RB21 - 98** (- B04 - if black insulator)

“low profile” single port right angle; soldertail



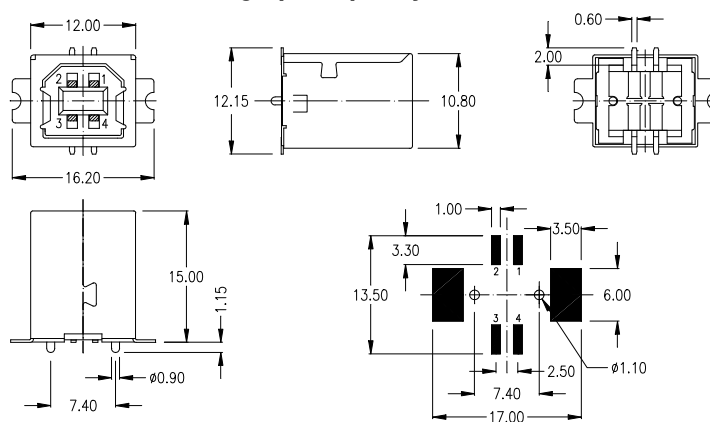
ORDER CODE **1.0 Type: ULS - W04 - RBS0 - 95** (- B04 - if black insulator)  
 ORDER CODE **2.0 Type: ULS - W04 - RBS2 - 98** (- B04 - if black insulator)

single port top entry; soldertail



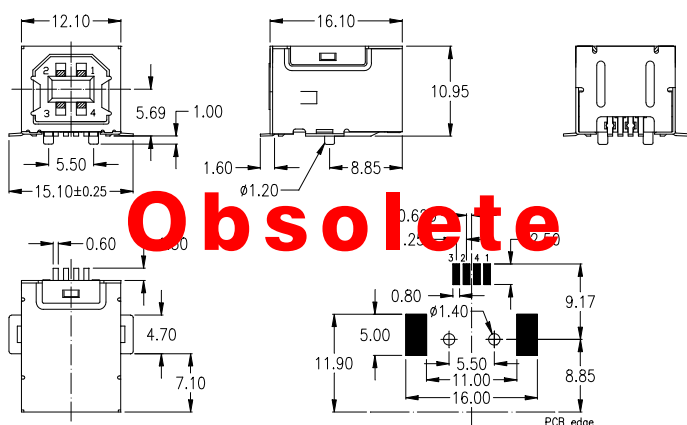
ORDER CODE **1.0 Type: USS - W04 - TB01 - 95** (- B04 - if black insulator)  
 ORDER CODE **2.0 Type: USS - W04 - TB21 - 98** (- B04 - if black insulator)

single port top entry; SMT



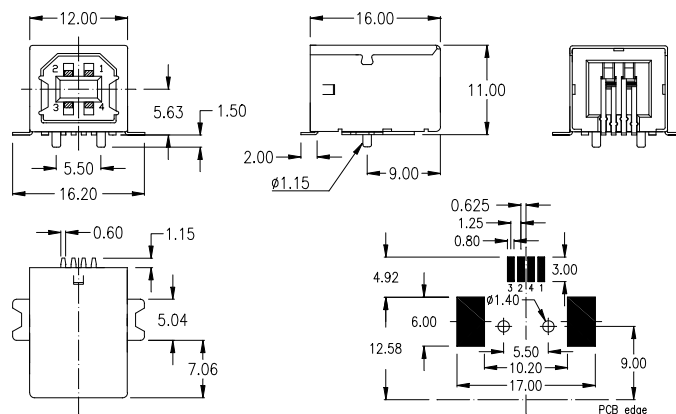
ORDER CODE **1.0 Type: USS - W04 - UB01 - 95** (- B04 - if black insulator)  
 ORDER CODE **2.0 Type: USS - W04 - UB21 - 98** (- B04 - if black insulator)  
 Please contact your closest E-tec sales office for order code if reel packaging is required.

single port right angle; SMT “fully shielded”



ORDER CODE **1.0 Type: USS - W04 - SB01 - 95** (- B04 - if black insulator)  
 ORDER CODE **2.0 Type: USS - W04 - SB21 - 98** (- B04 - if black insulator)  
 Please contact your closest E-tec sales office for order code if reel packaging is required.

single port right angle; SMT “semi shielded”



ORDER CODE **1.0 Type: USS - W04 - SBS0 - 95** (- B04 - if black insulator)  
 ORDER CODE **2.0 Type: USS - W04 - SBS2 - 98** (- B04 - if black insulator)  
 Please contact your closest E-tec sales office for order code if reel packaging is required.

Obsolete

### Specification

<b>Material</b>		
Contact	(RoHS compliant)	Phosphor bronze
Plating	solder area:	tin (leadfree) / gold
	contact area:	if -95 = Au flash over Ni (1.0 Type)
		if -98 = Au 30µ" over Ni (2.0 Type)
Insulator	(RoHS compliant)	PBT white (standard) UL 94-V0
		(PBT black on request)
SMT Insulator	(RoHS compliant)	Nylon UL 94-V0
Shell	(RoHS compliant)	brass, 80µ"-120µ" Ni plated
<b>Mechanical</b>		
Mating cycles		1.500 min.

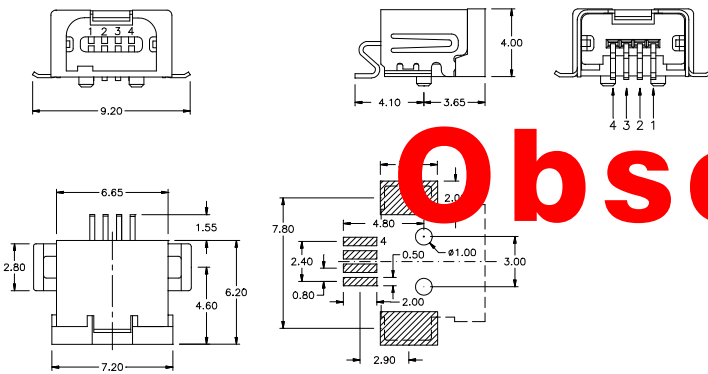
<b>Electrical</b>		
Current rating		1,5 A max. 1 Contact (Signal only)
Voltage rating		30V AC (rms)
Withstanding voltage		750V AC (rms) 1 Minute (USB 1.0)
		500V AC (rms) 1 Minute (USB 2.0)
Insulation resistance		1.000MΩ min. (500V DC)
Contact resistance		30mΩ max.
<b>Others</b>		
Operating temperature		-55° C to +85° C
Processing temp. for SMT type		+260° C for 10 sec. max.

# UMS Series

## Mini USB Connector

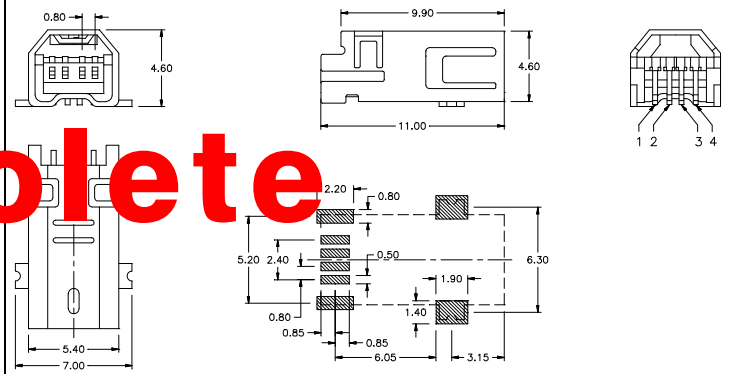


### Mini "A" Type 4 Pin



ORDER CODE USB 1.0 corresponding: **UMS - B04 - SAS0 - 95**

### Mini "B" Type 4 Pin



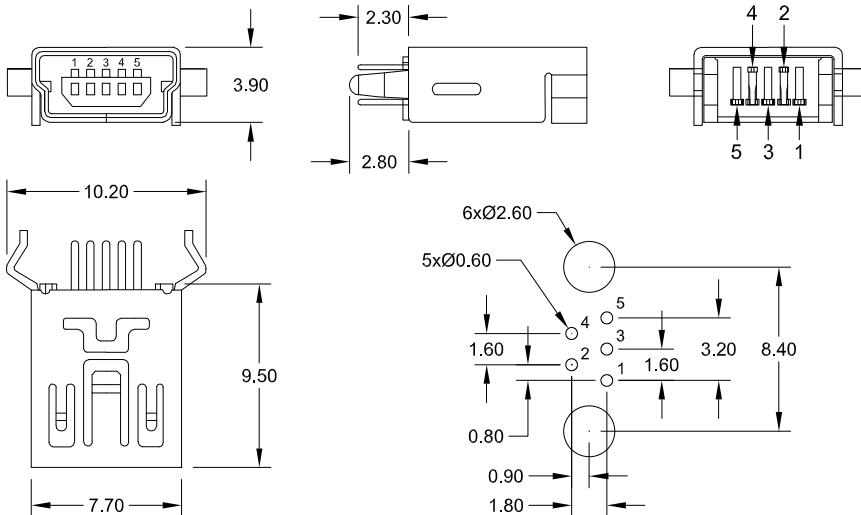
ORDER CODE USB 1.x corresponding: **UMS - B04 - SBS0 - 95**

ORDER CODE USB 2.0 corresponding: **UMS - B04 - SBS2 - 98**

# Obsolete

### Mini "B" Type 5 Pin

### THT Top Entry



ORDER CODE **USB 1.x** corresponding: **UMS - B05 - TB01 - 95**

ORDER CODE **USB 2.0** corresponding: **UMS - B05 - TB21 - 98**

#### Specification:

##### Material

Contact (RoHS compliant) Copper Alloy  
 Plating:  
 Contact area if -95 Au flash over Ni  
 Contact area if -98 Au 30μ" over Ni  
 Solder area tin (leadfree) over nickel  
 Housing (RoHS compliant) LCP black  
 UL 94-V0  
 Shell (RoHS compliant) Copper Alloy, Ni plated

##### Electrical

Current rating 1 A  
 Voltage rating 30V AC (rms)  
 Withstanding voltage 100V AC (rms) 1 Minute  
 Insulation resistance 100MΩ min. (500V DC)  
 Contact resistance 50mΩ max.

##### Mechanical

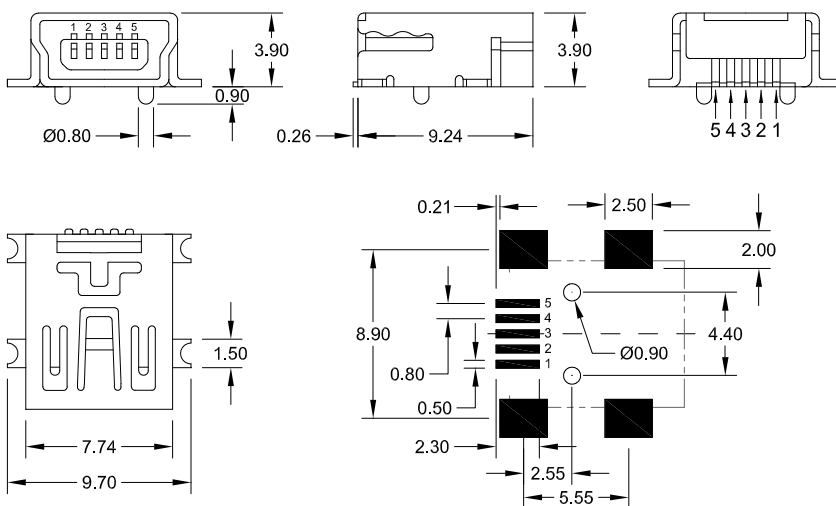
Mating cycles 5.000 min.

##### Others

Operating temp. -55° C to +85° C

### Mini "B" Type 5 Pin

### SMT side entry



ORDER CODE **USB 2.0** corresponding: **UMS - B05 - SB21 - 98**

Please contact your closest E-tec sales office for order code if reel packaging is required.

#### Specification:

##### Material

Contact (RoHS compliant) PhBz  
 Plating:  
 Contact area if -98 Au 30μ" over Ni  
 Solder area Sn (leadfree) over Ni  
 Housing (RoHS compliant) PA9T black  
 UL 94-V0  
 Shell (RoHS compliant) Steel, 80μ"-120μ" Ni plated

##### Electrical

Current rating 1 A  
 Voltage rating 30V AC (rms)  
 Withstanding voltage 100V AC (rms) 1 Minute  
 Insulation resistance 100MΩ min. (500V DC)  
 Contact resistance 50mΩ max.

##### Mechanical

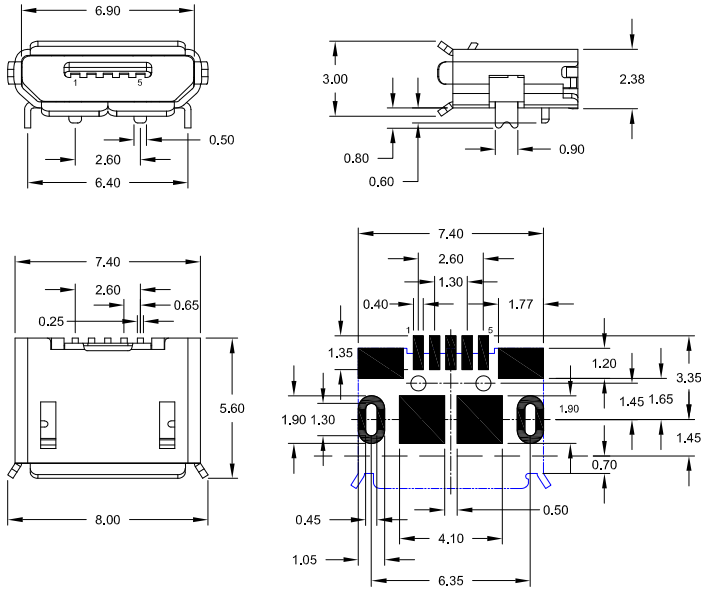
Mating cycles 5.000 min.

##### Others

Operating temp. -55° C to +85° C  
 Processing temp. +260° C for 10 sec. max.

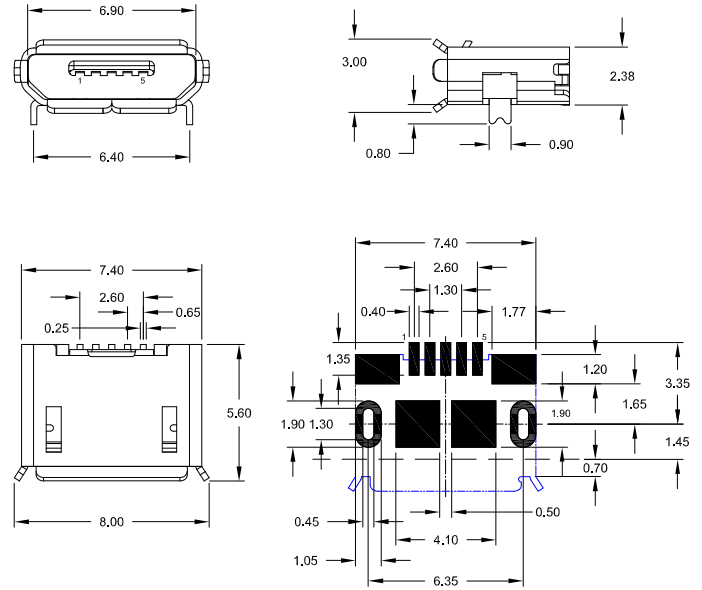
Micro "B" Type 5 Pin SMT

with straight Ground tabs and locating pegs



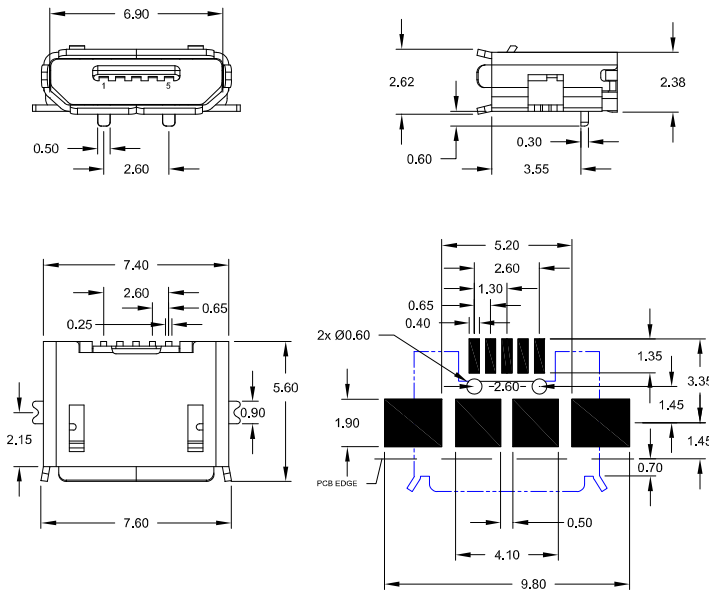
ORDER CODE **USB 2.0** corresponding:  
**UNS-B05-SKB2P-58/R**

with straight Ground tabs and without locating pegs



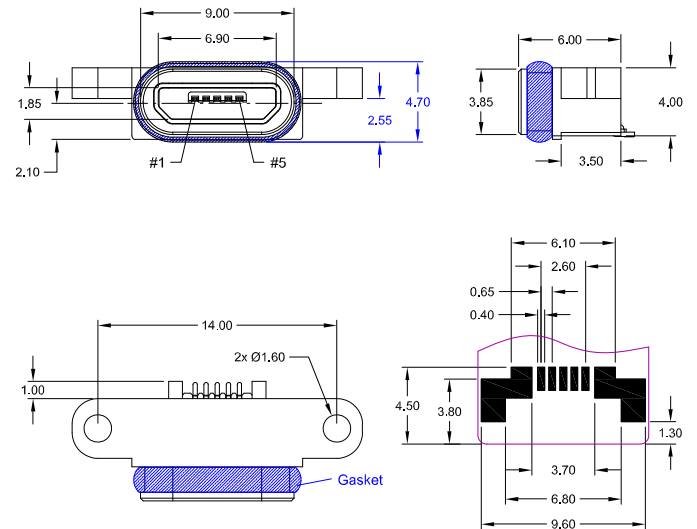
ORDER CODE **USB 2.0** corresponding:  
**UNS-B05-SKB2L-58/R**

"Wing" Style with locating pegs



ORDER CODE **USB 2.0** corresponding:  
**UNS-B05-SKB21-58/R**

Waterproof IP67 - protected



ORDER CODE **USB 2.0** corresponding:  
**UNS-B05-SWB2W-56/R**

Specification

Electrical

Current rating	1 A / Contact
Signal line (No. 1 to 5)	1.8A (No. 1 & 5)
2-line for Power	0.5A (No. 2 to 4)
Voltage rating	AC 30V (rms)
Withstanding voltage	100V AC (rms) 1 Minute
Insulation resistance	100MΩ min. (500V DC)
Contact resistance	30mΩ max.

Material

Contact (RoHS compliant)	PhBz
Plating:	
Solder area	Au 1μ" over Ni
Contact area	Au 30μ" over Ni
	(Au 10μ" waterproof type)
Housing (RoHS compliant)	LCP black UL 94-V0
Shell (RoHS compliant)	Steel, 120μ" - 200μ" Sn plated

Mechanical

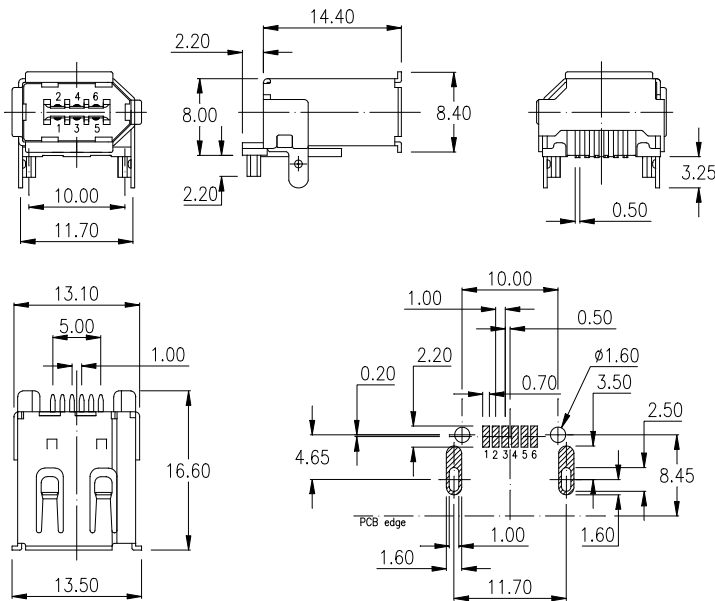
Mating cycles	10.000 min.
---------------	-------------

Others

Operating temp.	-30° C to +80° C
Processing temp.	+260° C +/-5° C for 5 sec. max.

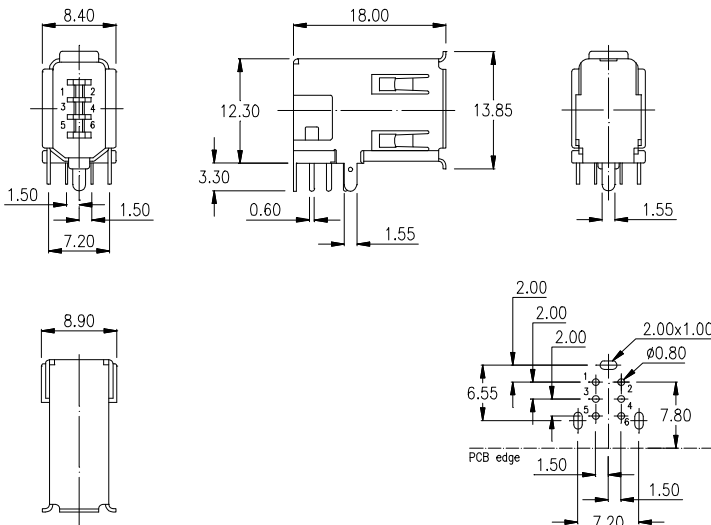


single port right angle; SMT  
“fully shielded” Type



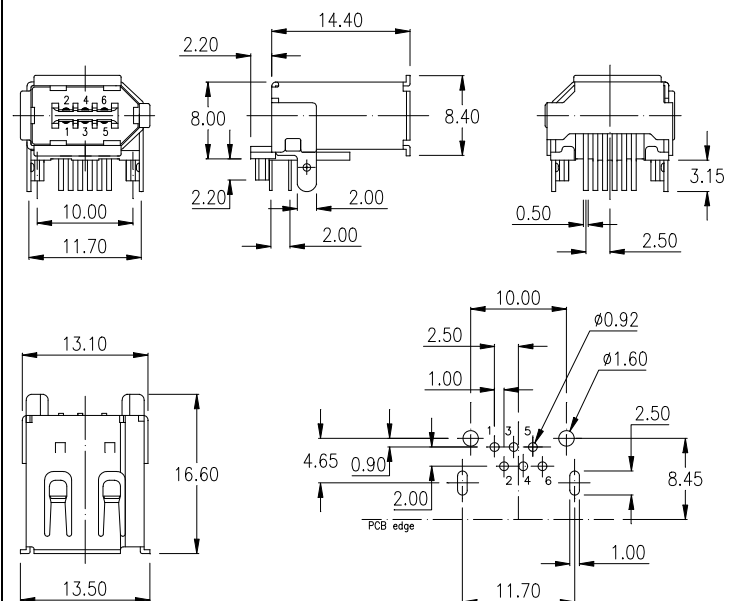
ORDER CODE: **IES - B06 - SIF1 - 98**  
( - W06 - if white housing )

single port vertical; soldertail  
“fully shielded” Type



ORDER CODE: **IES - B06 - VIF1 - 98**  
( - W06 - if white housing )

single port right angle; soldertail  
“fully shielded” Type



ORDER CODE: **IES - B06 - RIF1 - 98**  
( - W06 - if white housing )

Specification

Material

Contact	(RoHS compliant)	Phosphor bronze
Plating:		
Contact area		Au 30μ" over Ni
Solder area		Sn (leadfree)
Housing	(RoHS compliant)	PBT UL 94-V0
SMT housing	(RoHS compliant)	Nylon 9T UL 94-V0
Shell	(RoHS compliant)	brass, 80μ"-120μ" Ni plated

Mechanical

Mating cycles	1.500 min.
---------------	------------

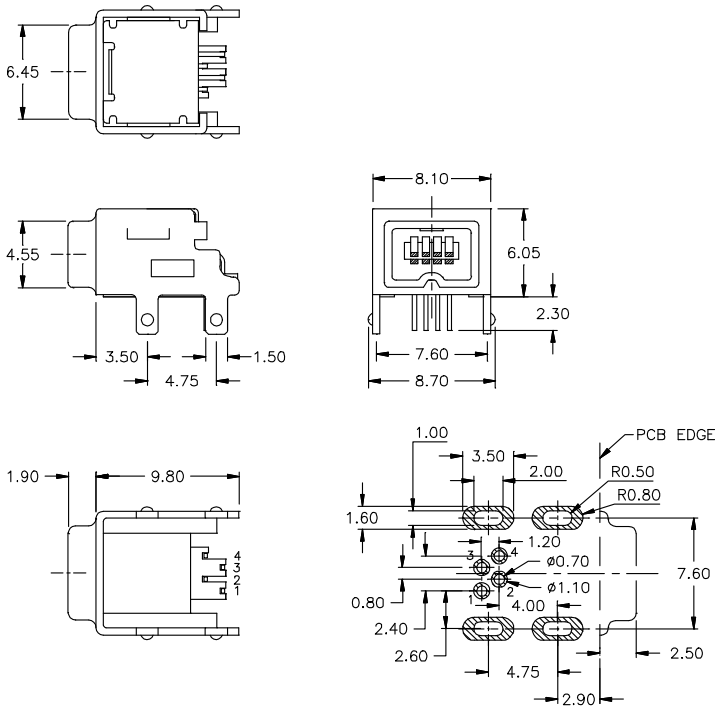
Electrical

Current rating	1,5 A max. 1 Contact (Signal only)
Voltage rating	30V AC (rms)
Withstanding voltage	500V AC (rms) 1 Minute
Insulation resistance	100MΩ min. (500V DC)
Contact resistance	30mΩ max.

Others

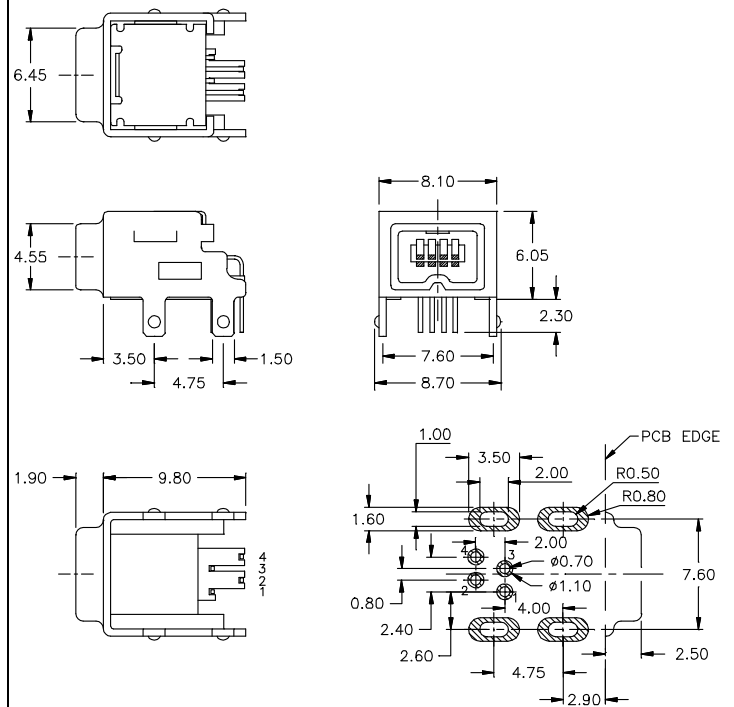
Operating temperature	-55° C to +85° C
Processing temp. for SMT type	+260° C for 10 sec. max.

single port right angle



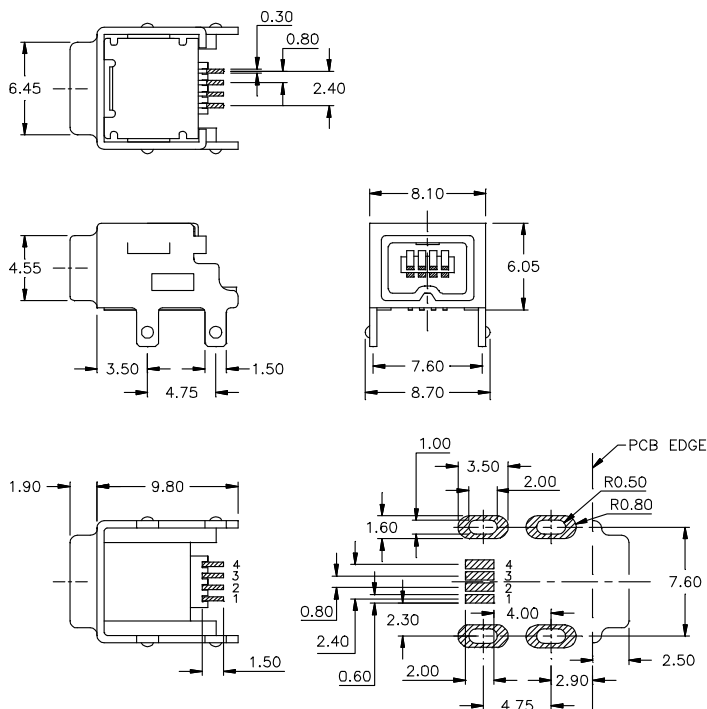
ORDER CODE: **IES - B04 - RI01 - 98**

single port right angle  
“reversed” Type



ORDER CODE: **IES - B04 - RIR1 - 98**

single port right angle; SMT



ORDER CODE: **IES - B04 - SI01 - 98**

Specification

Material

Contact	(RoHS compliant) Phosphor bronze
Plating:	
Contact area	Au 30µ" over Ni
Solder area	Sn (leadfree)
Housing	(RoHS compliant) Nylon 9T UL 94-V0 black (standard)
Front Shell	(RoHS compliant) Steel 80µ"-120µ" Ni plated
Rear Shell	(RoHS compliant) Brass 80µ"-120µ" Ni plated

Mechanical

Mating cycles 1.000 min.

Electrical

Current rating	1,5 A max. 1 Contact (Signal only)
Voltage rating	30V AC (rms)
Withstanding voltage	500V AC (rms) 1 Minute
Insulation resistance	100MΩ min. (500V DC)
Contact resistance	30mΩ max.

Others

Operating temperature	-55° C to +85° C
Processing temp. for SMT type	+260° C for 10 sec. max.

	<p>Order Code: <b>USC-xxxx-AMAM-BG/G</b></p>
	<p>Order Code: <b>USC-xxxx-AMAF-BG/G</b></p>
	<p>Order Code: <b>USC-xxxx-2AMBM-BG/G</b></p>
	<p>Order Code: <b>USC-xxxx-BMBM-BG/G</b></p>
	<p>Order Code: <b>USC-xxxx-IMIM-CH/G</b></p>
	<p>Order Code: <b>USC-xxxx-IM4IM-CH/B</b></p>
	<p>Order Code: <b>USC-xxxx-4IMIM-CH/G</b></p>
	<p>Order Code: <b>USC-xxxx-4AMAM-CH/G</b></p>
	<p>Order Code: <b>USC-xxxx-4BMBM-CH/G</b></p>
	<p>Order Code: <b>USC-xxxx-5BMBM-CH/G</b></p>

Other Cable and Connector colour on request.

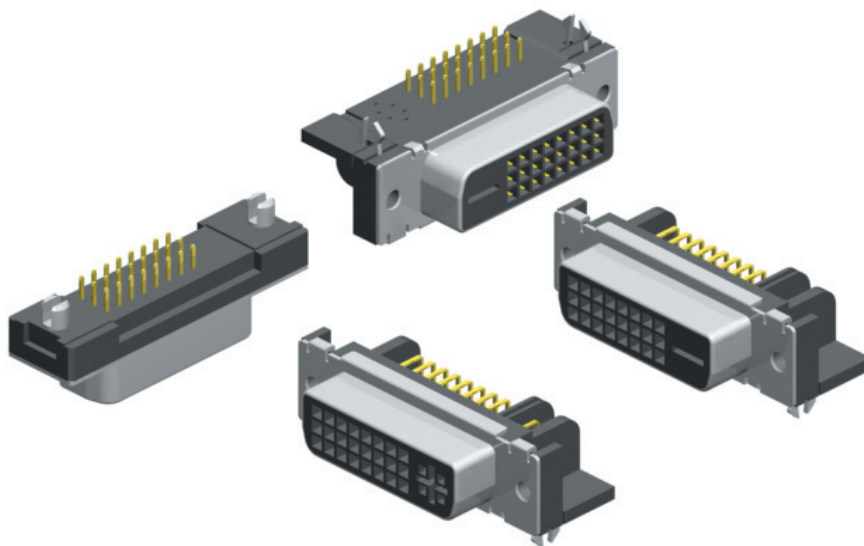
Connector and cable assembly as per Customer specification also possible.

Cable length "L"

Example: **1000** = 1000mm

# DVI

## Digital Visual Interface

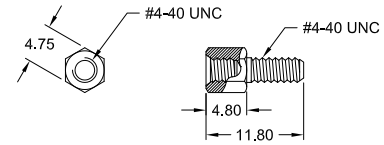
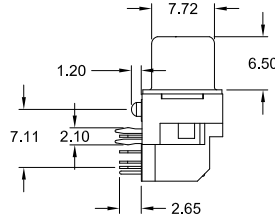
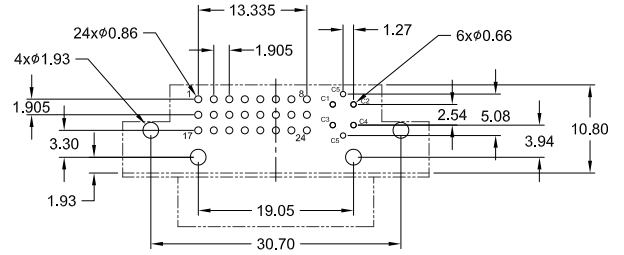
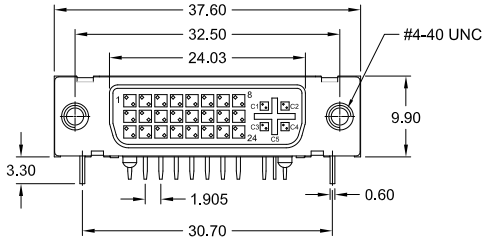


DVI is a video interface standard designed to maximise the visual quality of digital display devices such as flat panel LCD computer displays and digital projectors.

In addition, certain TV's also offer a DVI input connection, which accept digital signals from PC's or DVD players.

**Analog & Digital Type**

with plastic pegs



Option: Jack Screw

**Specifications**

<b>Electrical:</b>	
Current rating	1.5 A min.
Insulator resistance	1000 M $\Omega$ min.
Contact resistance	20 m $\Omega$ max.
Dielectric strength	1000 V for 1 Min.
Withstanding voltage	500V (rms) AC 1 Min.
Operating temperature	-20° C to +85° C
<b>Mechanical:</b>	
Insertion force	4.5 Kg max.
Withdrawal force	1.0 Kg min.
Durability	100 Cycles
<b>Material:</b>	
Contact	Copper Alloy
Housing	PBT UL 94V-0
Latch	PA66 UL 94V-0
Shell	Steel; Ni plated

**How to order**

**DVF - 029 - NAD9 - xx /W P X**

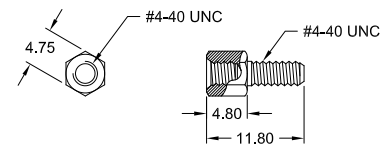
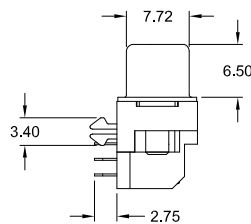
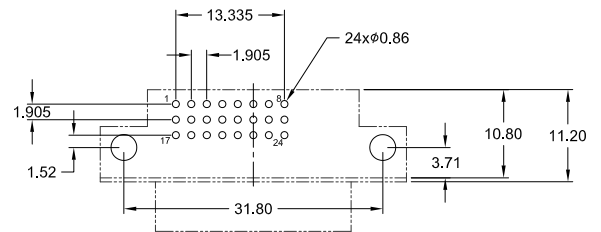
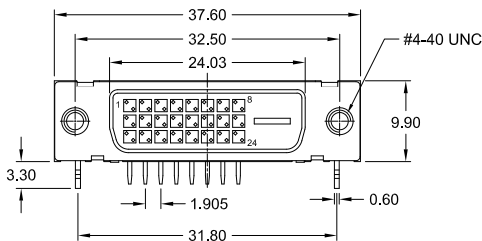
Plating	
<b>95</b>	= Tin ( <i>leadfree</i> ) / Gold flash
<b>97</b>	= Tin ( <i>leadfree</i> ) / Gold 15 $\mu$ "
<b>98</b>	= Tin ( <i>leadfree</i> ) / Gold 30 $\mu$ "

Housing Color	
<b>W</b>	= white (standard)
<b>B</b>	= black (option)

Option	
<b>J</b>	
2 Jack Screws 4-40 UNC attached	

**Digital Type**

without plastic pegs



Option: Jack Screw

**Specifications**

<b>Electrical:</b>	
Current rating	1.5 A min.
Insulator resistance	1000 M $\Omega$ min.
Contact resistance	20 m $\Omega$ max.
Dielectric strength	1000 V for 1 Min.
Withstanding voltage	500V (rms) AC 1 Min.
Operating temperature	-20° C to +85° C
<b>Mechanical:</b>	
Insertion force	4.5 Kg max.
Withdrawal force	1.0 Kg min.
Durability	100 Cycles
<b>Material:</b>	
Contact	Copper Alloy
Housing	PBT UL 94V-0
Latch	PA66 UL 94V-0
Shell	Steel; Ni plated

**How to order**

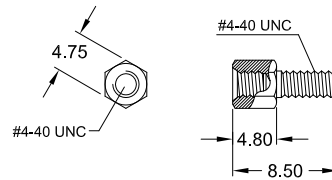
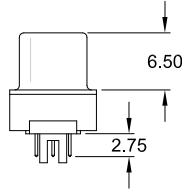
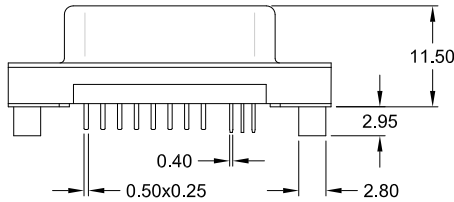
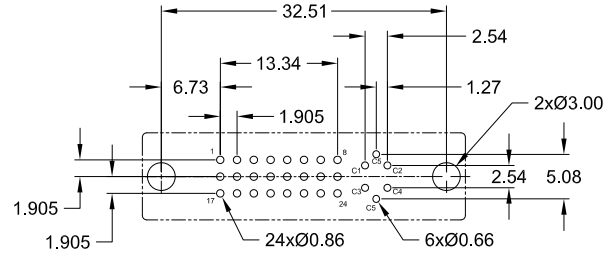
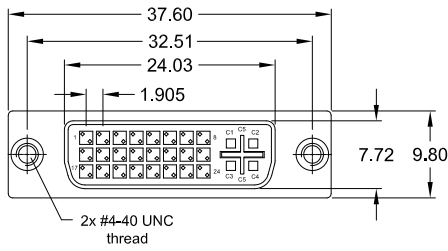
**DVF - 024 - NDD9 - xx /W P X**

Plating	
<b>95</b>	= Tin ( <i>leadfree</i> ) / Gold flash
<b>97</b>	= Tin ( <i>leadfree</i> ) / Gold 15 $\mu$ "
<b>98</b>	= Tin ( <i>leadfree</i> ) / Gold 30 $\mu$ "

Housing Color	
<b>W</b>	= white (standard)
<b>B</b>	= black (option)

Option	
<b>J</b>	
2 Jack Screws 4-40 UNC attached	

**Analog & Digital Type**



Option: Jack Screw

**Specifications**

<b>Electrical:</b>	
Current rating	1.5 A min.
Insulator resistance	1000 M $\Omega$ min.
Contact resistance	20 m $\Omega$ max.
Dielectric strength	1000 V for 1 Min.
Withstanding voltage	500V (rms) AC 1 Min.
Operating temperature	-20° C to +85° C
<b>Mechanical:</b>	
Insertion force	4.5 Kg max.
Withdrawal force	1.0 Kg min.
Durability	100 Cycles
<b>Material:</b>	
Contact	Copper Alloy
Insulator	Hi temp Thermoplastic
Shell	UL 94V-0 Steel; Ni plated

**How to order**

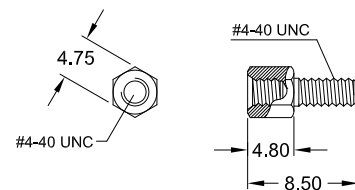
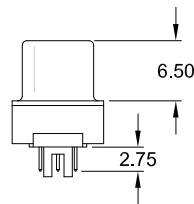
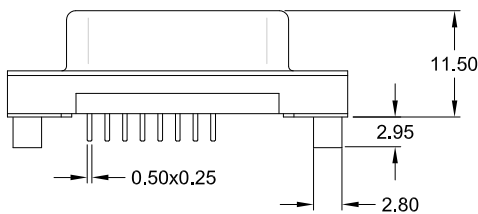
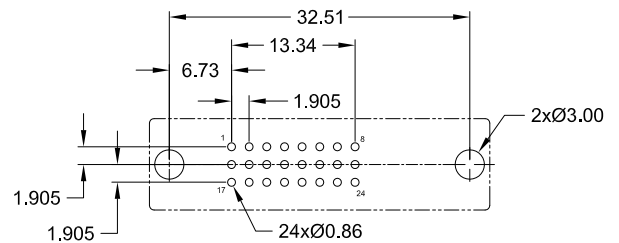
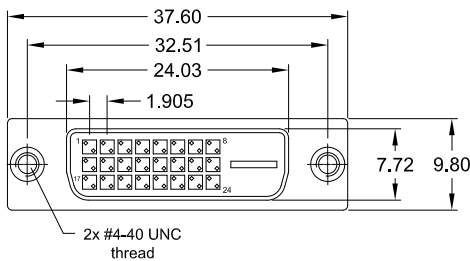
**DVF - 029 - SAD1 - xx /W B J**

<b>Plating</b>
<b>95</b> = Tin ( <i>leadfree</i> ) / Gold flash
<b>97</b> = Tin ( <i>leadfree</i> ) / Gold 15 $\mu$ "
<b>98</b> = Tin ( <i>leadfree</i> ) / Gold 30 $\mu$ "

<b>Housing Color</b>
<b>W</b> = white (standard)
<b>B</b> = black (option)

<b>J</b>
2 Jack Screws 4-40 UNC attached

**Digital Type**



Option: Jack Screw

**Specifications**

<b>Electrical:</b>	
Current rating	1.5 A min.
Insulator resistance	1000 M $\Omega$ min.
Contact resistance	20 m $\Omega$ max.
Dielectric strength	1000 V for 1 Min.
Withstanding voltage	500V (rms) AC 1 Min.
Operating temperature	-20° C to +85° C
<b>Mechanical:</b>	
Insertion force	4.5 Kg max.
Withdrawal force	1.0 Kg min.
Durability	100 Cycles
<b>Material:</b>	
Contact	Copper Alloy
Insulator	Hi temp Thermoplastic
Shell	UL 94V-0 Steel; Ni plated

**How to order**

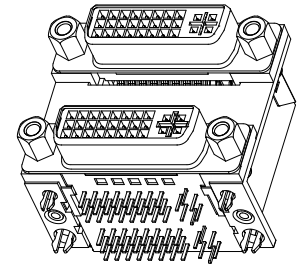
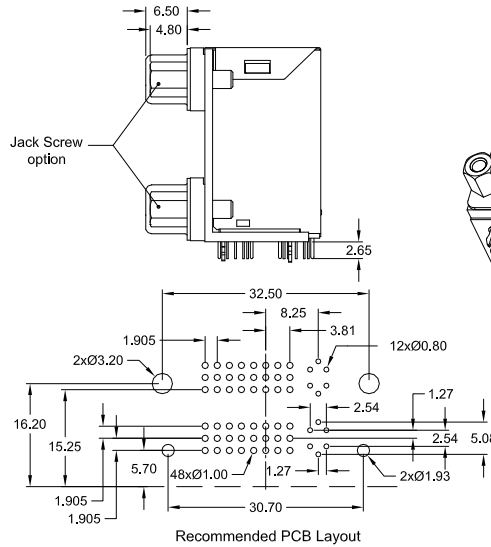
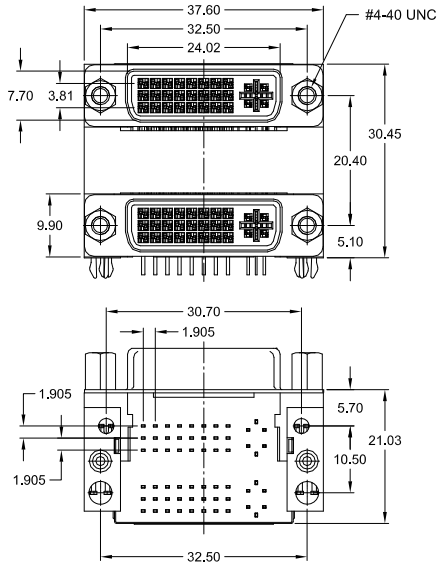
**DVF - 024 - SDD1 - xx /W B J**

<b>Plating</b>
<b>95</b> = Tin ( <i>leadfree</i> ) / Gold flash
<b>97</b> = Tin ( <i>leadfree</i> ) / Gold 15 $\mu$ "
<b>98</b> = Tin ( <i>leadfree</i> ) / Gold 30 $\mu$ "

<b>Housing Color</b>
<b>W</b> = white (standard)
<b>B</b> = black (option)

<b>J</b>
2 Jack Screws 4-40 UNC attached

**Analog & Digital Type fully shielded**



**Specifications**

<b>Electrical:</b>	
Current rating	1.5 A min. per Contact
Insulator resistance	1000 M Ω min.
Contact resistance (upper/lower)	30 / 20 m Ω max.
Dielectric strength	1000 V for 1 Min.
Withstanding voltage	500V (rms) AC 1 Min.
Operating temperature	-55° C to +85° C
<b>Mechanical:</b>	
Insertion force (total)	4.5 Kg max.
Withdrawal force (total)	1.0 Kg min.
Durability	100 Cycles
<b>Material:</b>	
Contact	Copper Alloy
Insulator	PBT UL 94V-0
Shell	SPCC Ni plated
Shield	Stainless Steel

**How to order**

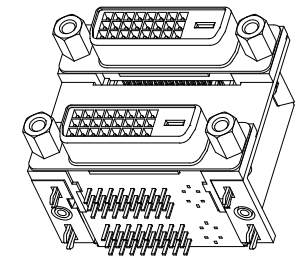
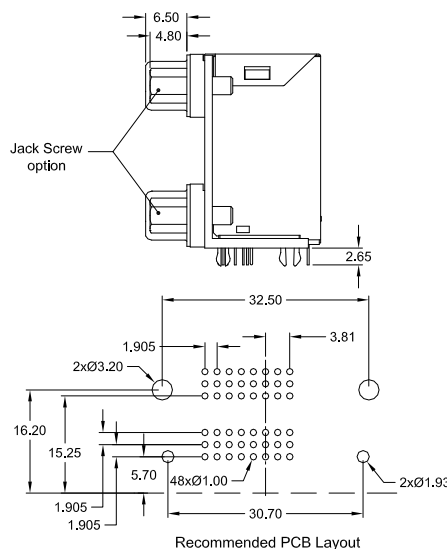
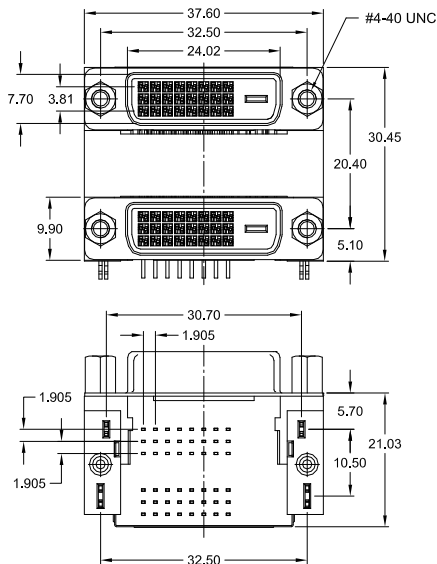
**DVD - 2929 - NAD9 - xx /W S X**

Plating	
<b>95</b>	= Tin ( <i>leadfree</i> ) / Gold flash
On request:	
<b>97</b>	= Tin ( <i>leadfree</i> ) / Gold 15μ"
<b>98</b>	= Tin ( <i>leadfree</i> ) / Gold 30μ"

Housing Color	
<b>W</b>	= white (standard)
<b>B</b>	= black (option)

Option	
<b>J</b>	
4 Jack Screws 4-40 UNC	

**Digital Type fully shielded**



**Specifications**

<b>Electrical:</b>	
Current rating	1.5 A min. per Contact
Insulator resistance	1000 M Ω min.
Contact resistance (upper/lower)	30 / 20 m Ω max.
Dielectric strength	1000 V for 1 Min.
Withstanding voltage	500V (rms) AC 1 Min.
Operating temperature	-55° C to +85° C
<b>Mechanical:</b>	
Insertion force (total)	4.5 Kg max.
Withdrawal force (total)	1.0 Kg min.
Durability	100 Cycles
<b>Material:</b>	
Contact	Copper Alloy
Insulator	PBT UL 94V-0
Shell	SPCC Ni plated
Shield	Stainless Steel

**How to order**

**DVD - 2424 - NDD9 - xx /W S X**

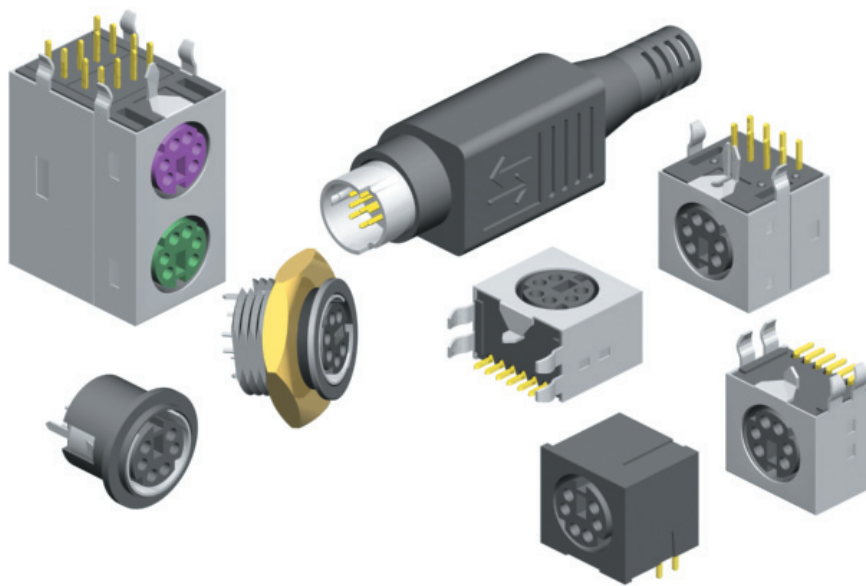
Plating	
<b>95</b>	= Tin ( <i>leadfree</i> ) / Gold flash
On request:	
<b>97</b>	= Tin ( <i>leadfree</i> ) / Gold 15μ"
<b>98</b>	= Tin ( <i>leadfree</i> ) / Gold 30μ"

Housing Color	
<b>W</b>	= white (standard)
<b>B</b>	= black (option)

Option	
<b>J</b>	
4 Jack Screws 4-40 UNC	

# Mini DIN

## Connectors



Mini DIN Connectors for Computer, Video, Audio  
and Digital Equipment applications.

Single and Dual Port, non shielded and shielded connector versions  
are available together with the mating plugs.



# Mini DIN Connector non shielded type

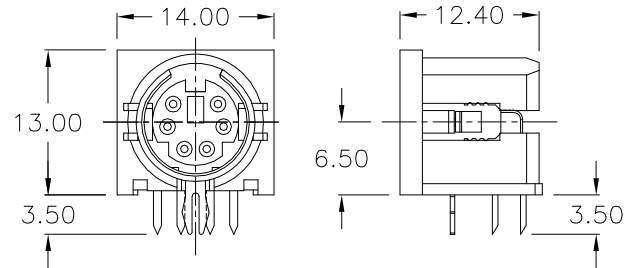
- 90° -



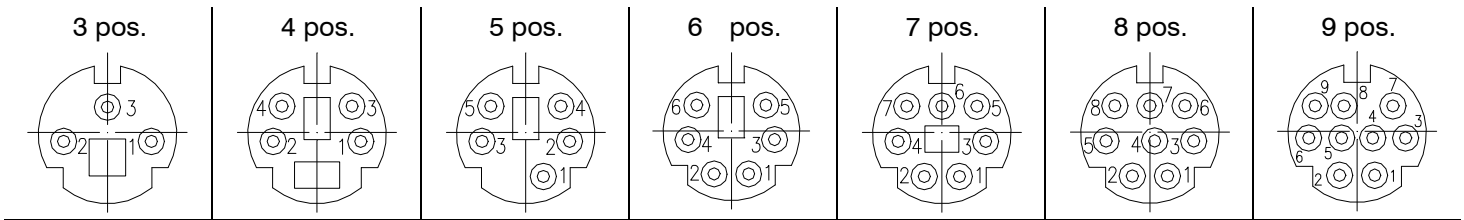
Mini DIN Connectors offered by E-tec have either silver or tin plated contacts. They allow a high number of insertion/extraction cycles and always a save connection to the Plug.

For any other types you may looking for and cannot find specified in this catalog, for example Mini DIN connectors with Filter or switch, please contact the nearest E-tec office or Distributor.

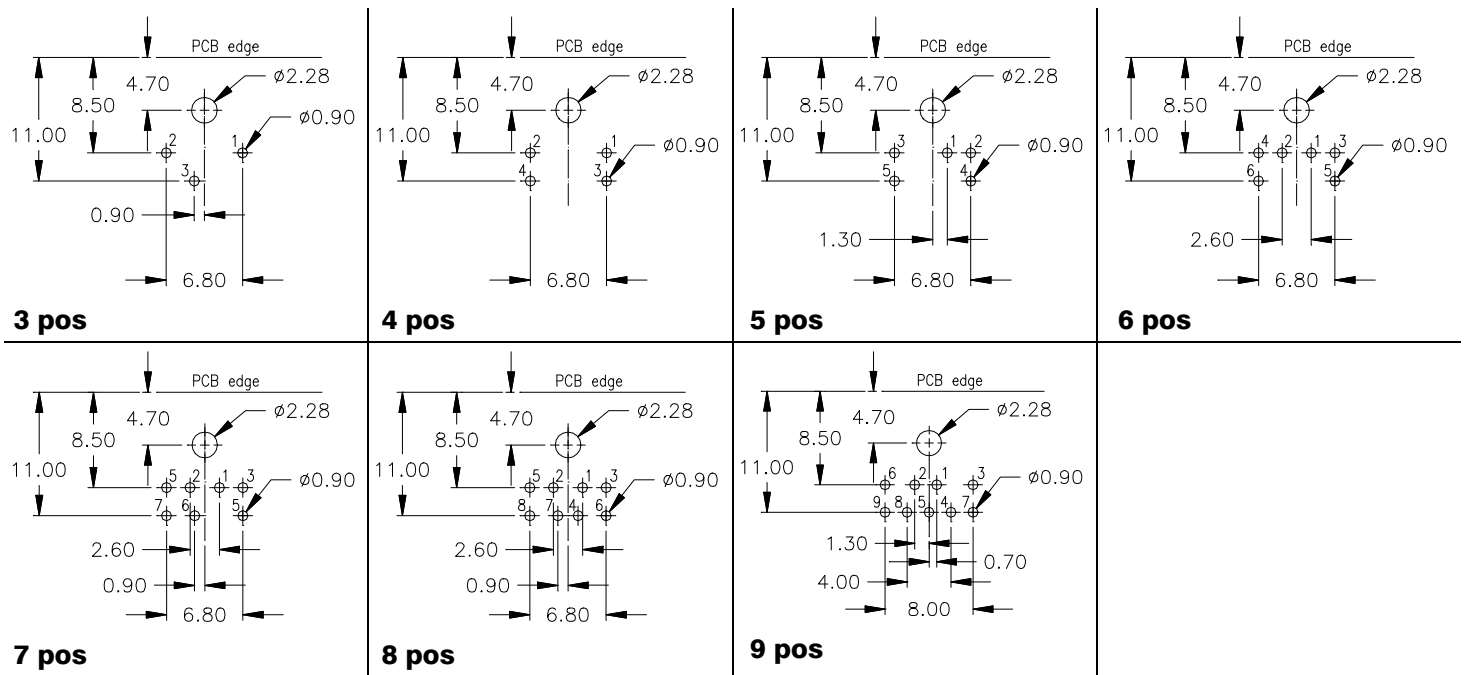
non shielded type



## FRONT VIEWS



## PCB through hole layout



## SPECIFICATIONS

Current rating	1 A max. at 100 V AC or 2 A max. at 12 V DC	Contact material (RoHS compliant)	Phosphor bronze
Insulator resistance	50 MΩ min. at 250 V DC	Contact plating	Sn/Au over Ni (Sn leadfree)
Contact resistance	30 mΩ max.	Insulator material (RoHS compliant)	P.B.T. UL 94 V-0
Dielectric withstanding voltage	250 V AC for 1 min.	Insertion force	4.5kg max.
Operating temperature	-55°C to +85°C	Extraction force	0.8kg min.
		Insertion/extraction cycles	500 min.

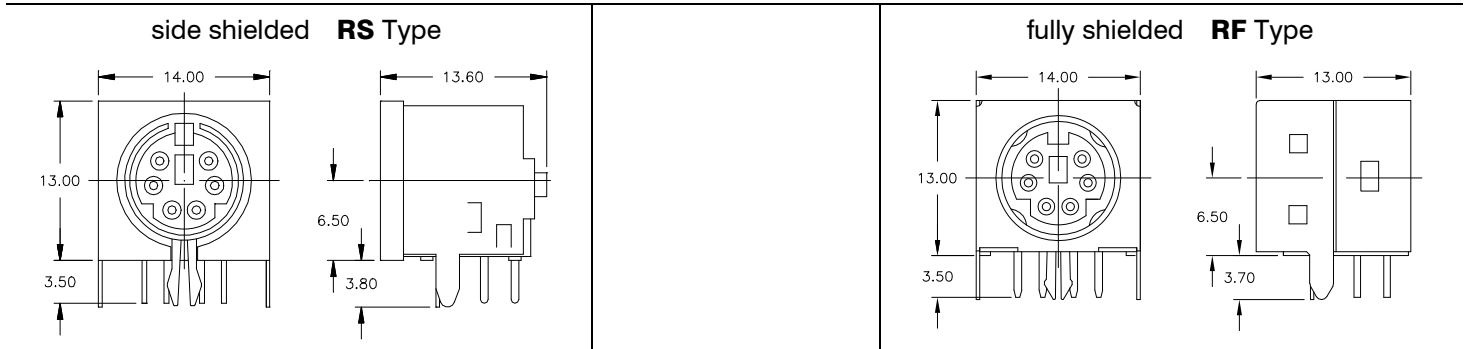
## Ordering Code

**MDJ - xxx - RN 01 - 95**

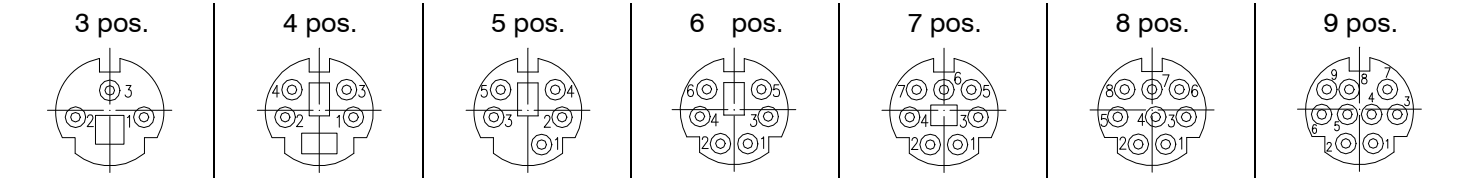
<b>Nbr of contacts</b>	
<b>003</b>	<b>to 009</b>

# Mini DIN Connector

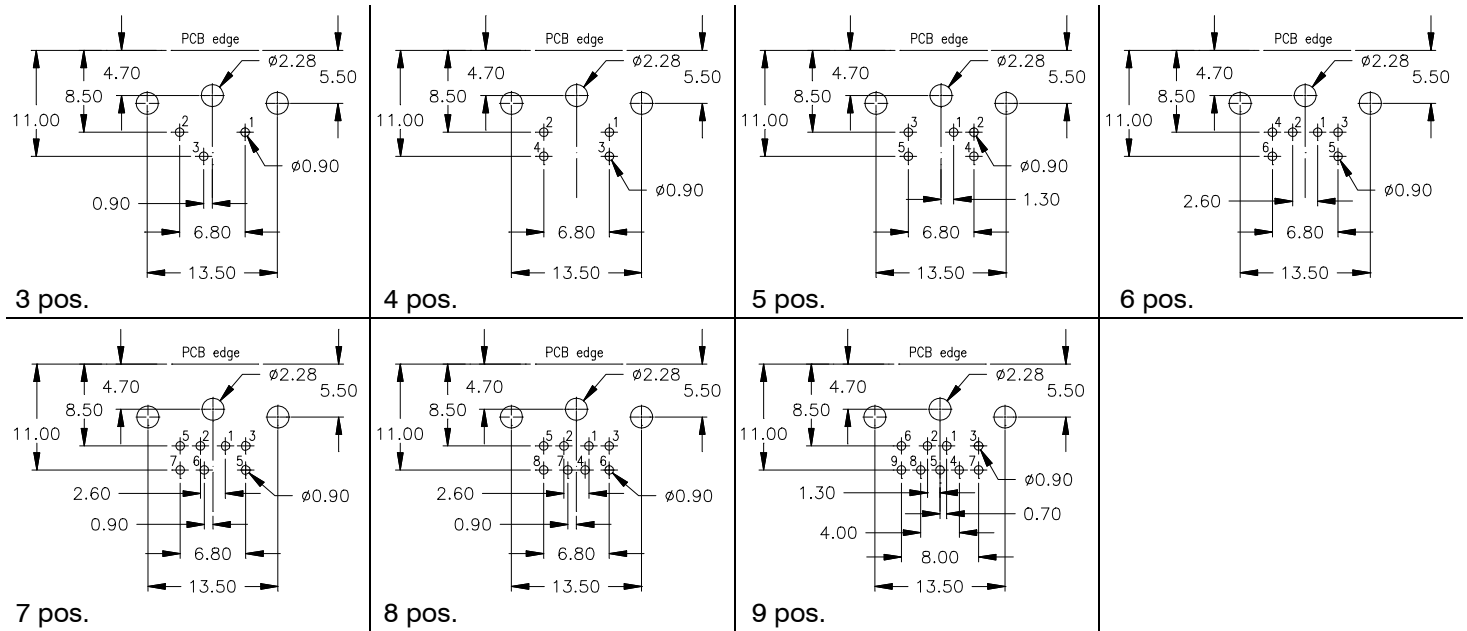
## 90° shielded type



### FRONT VIEWS



### PCB through hole layout



### SPECIFICATIONS

Current rating 2 A max. at 12 V DC	1 A max. at 100 V AC or	Contact material (RoHS compliant)	Phosphor bronze
Insulator resistance	50 MΩ min. at 250 V DC	Contact plating	AG, Sn or Sn/Au over Ni (Sn leadfree)
Contact resistance	30 mΩ max.	Insulator material (RoHS compliant)	P.B.T. UL 94 V-0 -black standard -
Dielectric withstanding voltage	250 V AC for 1 min.	Insertion force	4.5kg max.
Operating temperature	-40°C to +105°C	Extraction force	0.8kg min.
		Insertion/extraction cycles	500 min.

### Ordering Code

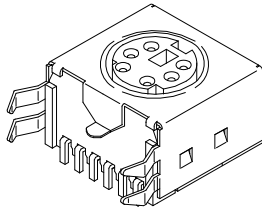
**MDJ - xxx - R X xx - xx**

Nbr of contacts	Type	Color	Plating
003; 004; 005; 006 007; 008; 009	<b>S</b> = side shielded	<b>01</b> = black	<b>AGZ</b> = silver
003; 004; 005; 006 007; 008; 009	<b>F</b> = fully shielded	<b>01</b> = black for all types <b>22</b> = purple for 6-contact type only	<b>95</b> = tin/gold (tin leadfree)

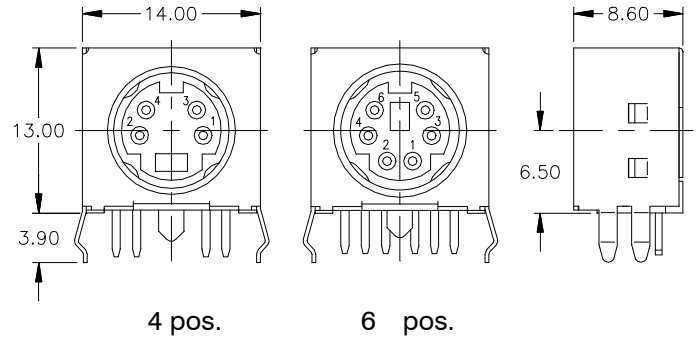
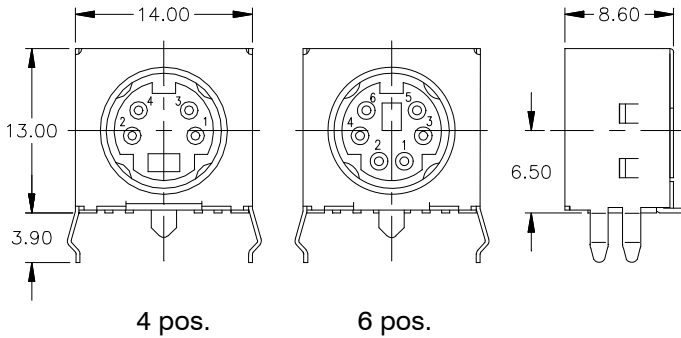
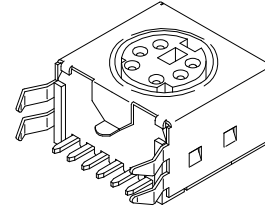
Mini DIN Connector - Low Profile 90°  
SMT & through hole - fully shielded type -



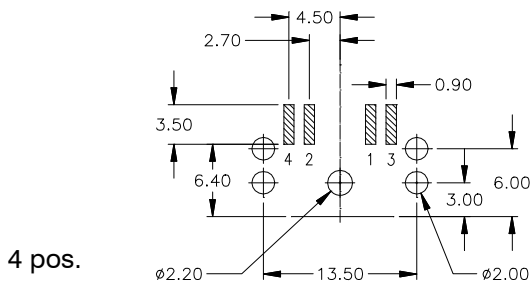
SMT type



through hole type

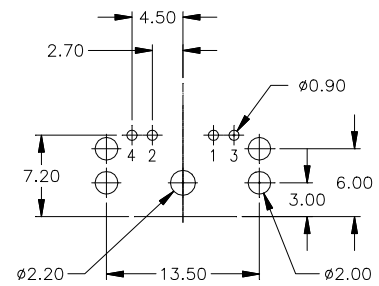


PCB SMT layout

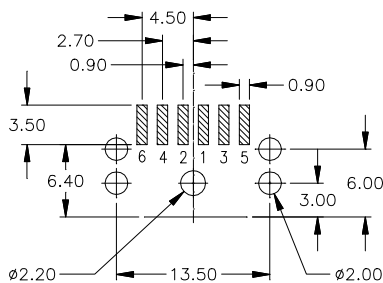


4 pos.

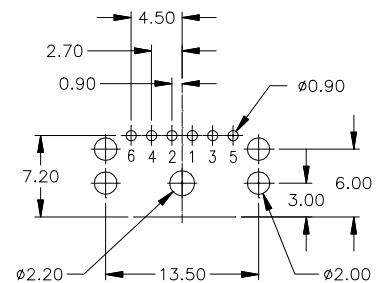
PCB through hole layout



4 pos.



6 pos.



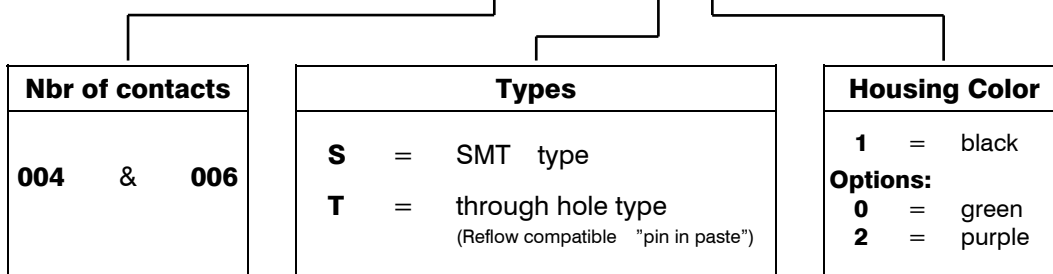
6 pos.

**SPECIFICATIONS**

Current rating	1 A max. at 100 V AC or 2 A max. at 12 V DC	Insulator material <i>(RoHS compliant)</i>	Nylon 6T UL 94 V-0
Insulator resistance	50 MΩ min. at 250 V DC	Contact material <i>(RoHS compliant)</i>	Phosphor bronze
Contact resistance	30 mΩ max.	Contact plating	Sn/ <i>(leadfree)</i> /Au over Ni
Dielectric withstanding voltage	250 V AC for 1 minute	Insertion force	4.5kg max.
Insertion/extraction cycles	500 min.	Extraction force	0.5kg min.
Operating temperature	-40°C to +105°C	Reflow soldering temperature:	260° C for 10 sec.

**Ordering Code**

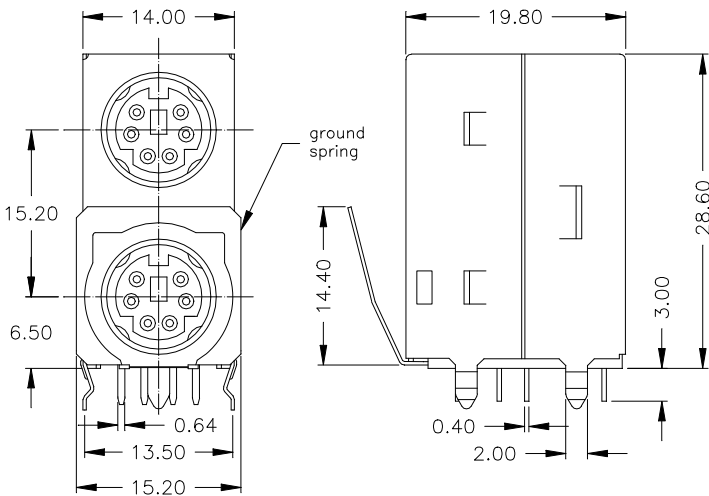
**MDJ - xxx - RKL X / 1 - 95**



# Mini DIN Connector - Dual Port Standard & "PC 99" Type

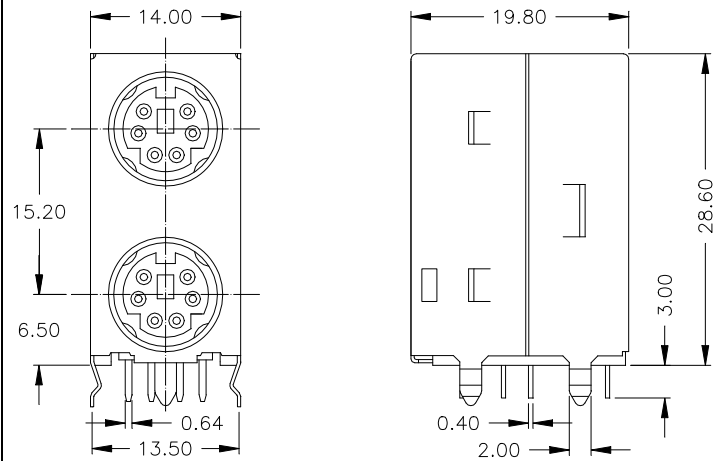


fully shielded, ground spring & side kink type



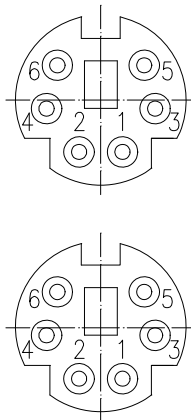
**MDJ - 606 - DS xx - 95**

fully shielded type



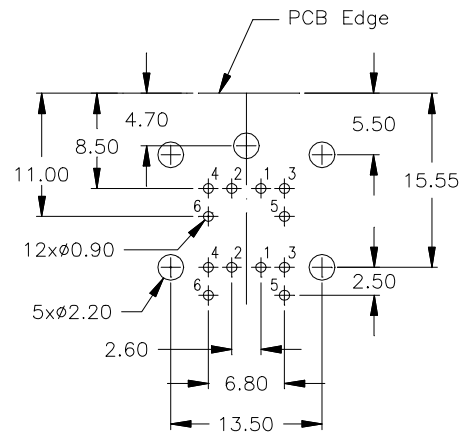
**MDJ - 606 - DK xx - 95**

front view



**2 x 6 pos.**

PCB through hole layout



**2 x 6 pin = 606**

## SPECIFICATIONS

Current rating	1 A max. at 100 V AC or 2 A max. at 12 V DC
Insulator resistance	100 MΩ min. at 250 V DC
Contact resistance	30 mΩ max.
Withstanding voltage	250 V AC for 1 min.

Contact material	(RoHS compliant) Phosphor bronze
Insulator material	(RoHS compliant)
P.B.T. UL 94 V-0	
Shield material	(RoHS compliant) Brass
Shield plating	tin (leadfree)
Insertion/extraction cycles	500 min.
Operating temperature	-40°C to +105°C

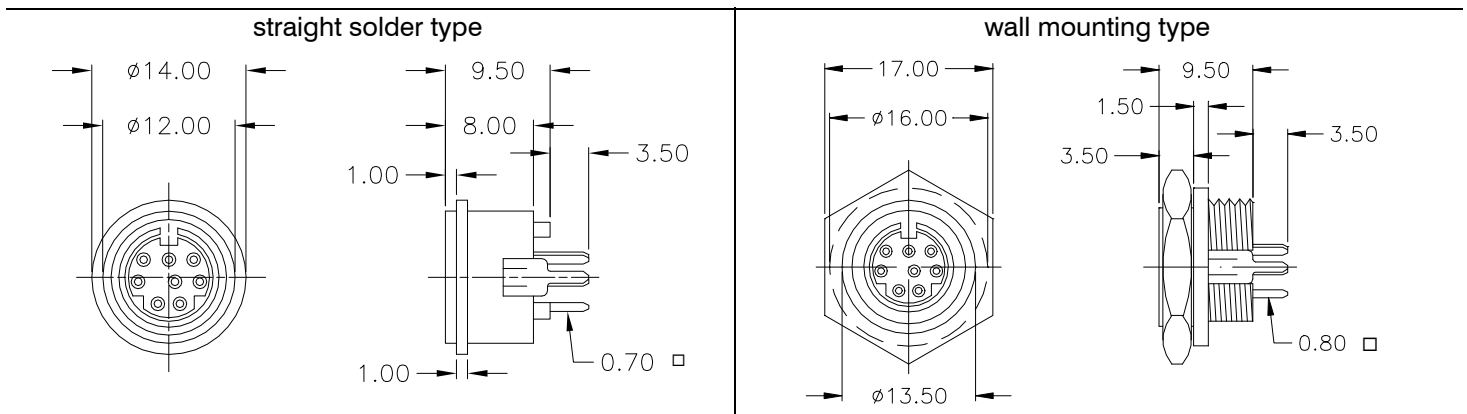
## Ordering Code

**MDJ - 606 - XX xx - 95**

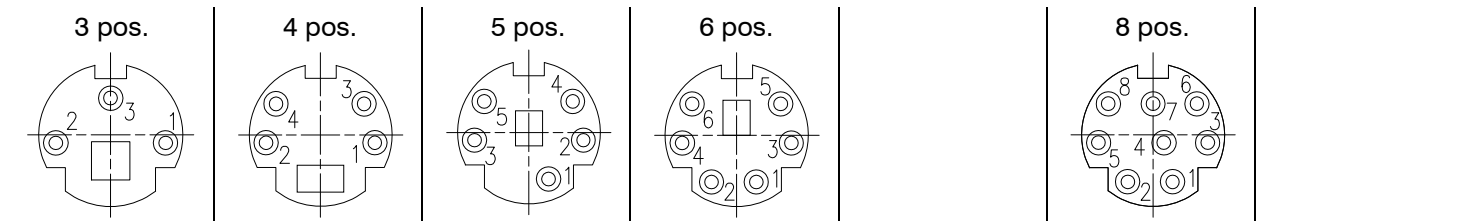
Contact Arrangement	Version	Housing Color	Plating
<b>6 top 6 bottom</b>	<b>DS</b> = fully shielded, ground spring & side kink <b>DK</b> = fully shielded & side kink	<b>01</b> = black top / black bottom <b>02</b> = green top / purple bottom	tin/gold <i>(tin leadfree)</i>

# Mini DIN Connector

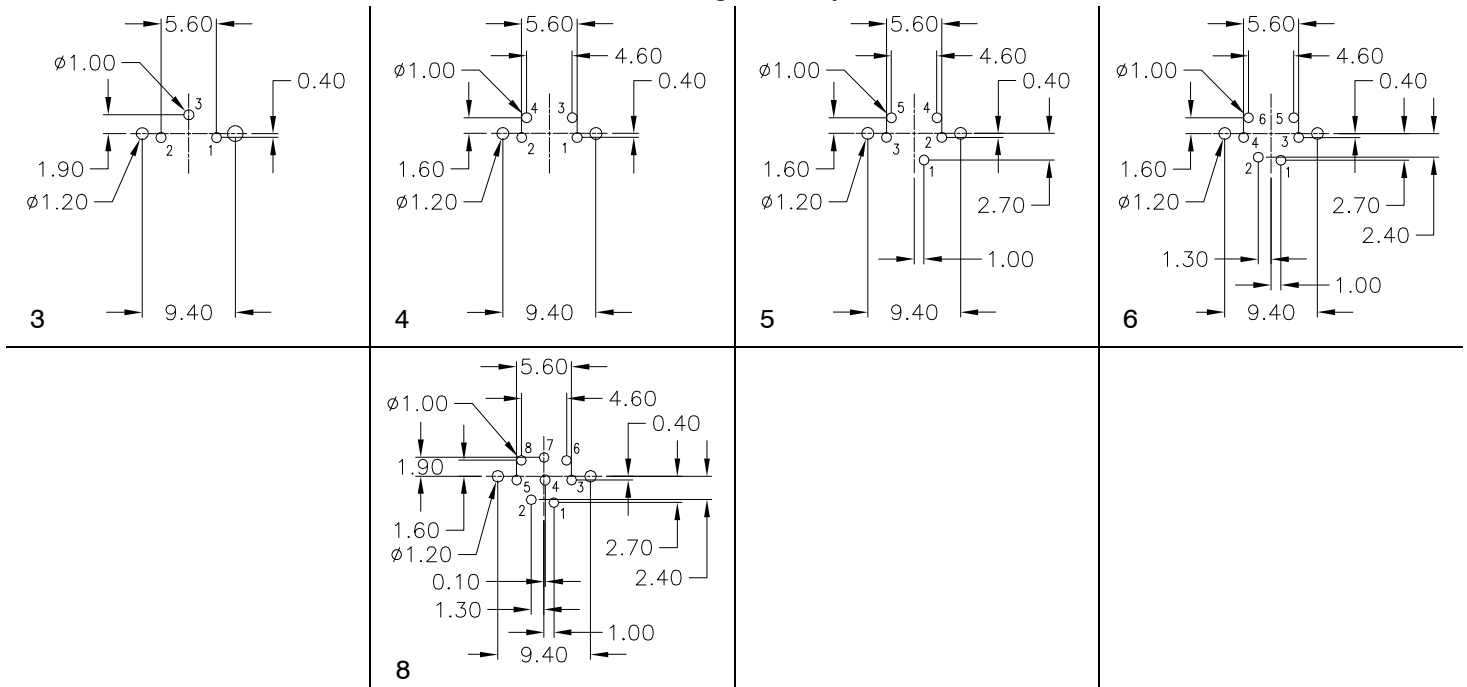
## straight & wall mounting type



### FRONT VIEWS



### PCB through hole layout

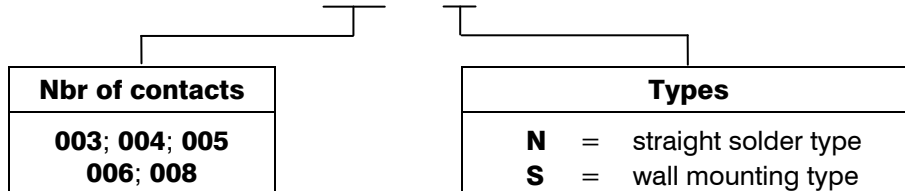


### SPECIFICATIONS

Current rating	1 A max. at 100 V AC or 2 A max. at 12 V DC	Contact material <i>(RoHS compliant)</i>	Phosphor bronze
Insulator resistance	100 MΩ min. at 500 V DC	Contact plating	Silver
Contact resistance	30 mΩ max.	Insulator material <i>(RoHS compliant)</i>	P.B.T. UL 94 V-0
Dielectric withstanding voltage	250 V AC for 1 min.	Insertion force	4.0kg max.
Operating temperature	-40°C to +105°C	Extraction force	0.9kg min.
		Insertion/extraction cycles	100 min.

### Ordering Code

**MDJ - xxx - S X 01 - AGZ**



**standard type male**

Bend protection sleeve for cable Ø 5.00mm standard, others on request.

**front views**

**standard type female**

Bend protection sleeve for cable Ø 5.00mm standard, others on request.

**front views**

**„Quick Lock“ type male**

Bend protection sleeve for cable Ø 6.50mm standard, others on request

**front views**

Any cable assembly available on request.  
 Connectors at both ends as well as cable length and quality as per your specification possible.  
 Please contact the nearest E-tec sales office or Distributor.

### SPECIFICATIONS

Current rating	1 A max. at 100 V AC or 2 A max. at 12 V DC	Withstanding voltage	250 V AC for 1 min.	Insulator material (RoHS compliant)	Nylon UL 94 V-0
Insulator resistance	50 MΩ min. at 250 V DC	Operating temperature	-55°C to +85°C	Insertion force	4.5kg max.
Contact resistance	30 mΩ max.	Contact material (RoHS compliant)	Brass	Extraction force	0.8kg min.
		Contact plating	Silver; MQ Type = Gold	Insertion/extraction cycles	500 min.

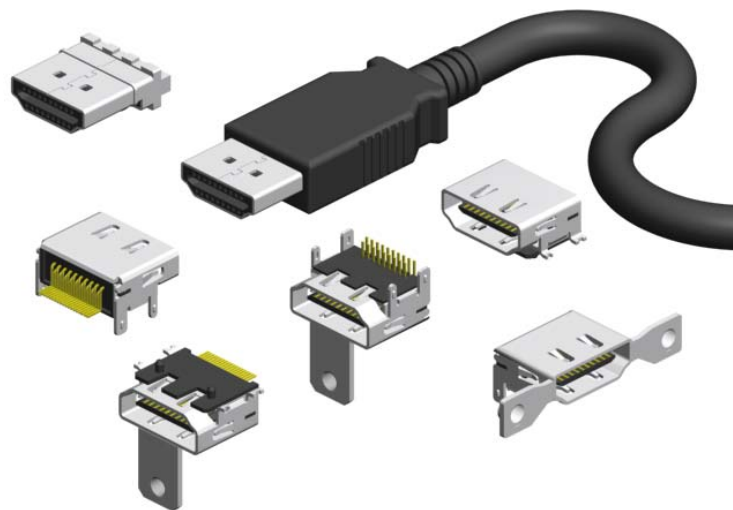
### Ordering Code

**MDP - xxx - XX 01 - xx**

<b>Nbr of contacts</b>  <b>003</b> to <b>009</b> except MQ Type	<b>Types</b>  <b>MA</b> = male standard <b>FA</b> = female standard <b>MQ</b> = male „Quick Lock“	<b>Plating</b>  MA & FA Type: <b>AGZ</b> = silver MQ Type only: <b>55</b> = gold
--	---	---

# HDMI

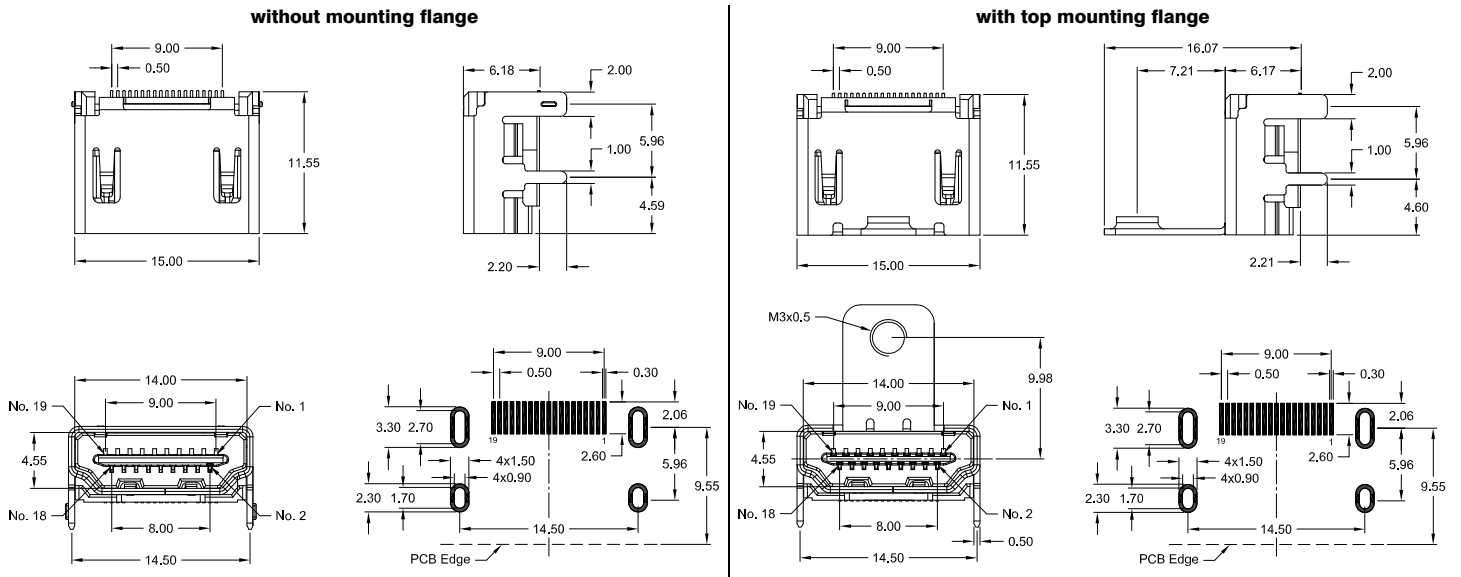
## High Definition Multimedia Interface



**HDMI** is an all-digital audio/video interface which was developed in mid 2003 capable of transmitting uncompressed streams. HDMI provides an interface between any compatible digital audio/video source, such as a set-top box, a DVD player, or an AV receiver and a compatible digital audio and/or video monitor, such as a digital television (DTV).

Since June 2006 the version 1.3 has been introduced and these HDMI standards specifically target the home entertainment sector.

-SMT- "Side Entry" with straight solder pegs



Specifications

<b>Electrical:</b>	
Current rating	0.5 A
Insulator resistance	100 M $\Omega$ min. at 150V DC
Contact resistance	30 m $\Omega$ max.
Withstanding voltage	500V (rms) AC 1 Min.
Operating temperature	-25° C to +85° C
<b>Mechanical:</b>	
Insertion force	44.1 N max.
Withdrawal force	9.8 N min.
Durability	10,000 Cycles
<b>Material:</b>	
Contact	Copper Alloy
Plating	Sn solderpegs / Au contact
Insulator	Hi temp Thermoplastic black UL 94V-0
Shell	Steel; Sn (leadfree) over Ni

How to order

HMR - B19 - SS X 1 - 98 / X

Style	Plating	Option
<b>K</b> = without mounting flange	<b>95</b> = Tin (leadfree) / Gold flash	<b>R</b> = reel packing w/o pick up tape
<b>L</b> = with top mounting flange	<b>97</b> = Tin (leadfree) / Gold 15 $\mu$ "	<b>BT</b> = reel packing with pick up tape
	<b>98</b> = Tin (leadfree) / Gold 30 $\mu$ "	



# Other products from E-tec

Please contact your closest sales office for further information.



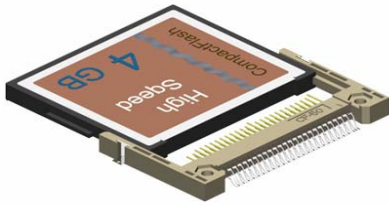
Insertion-Extraction Tools



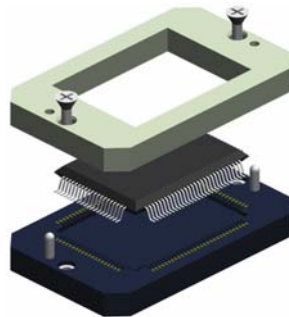
DIMM Sockets



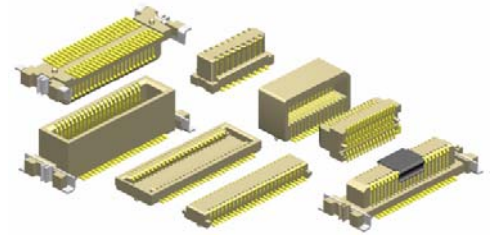
DIP Switch



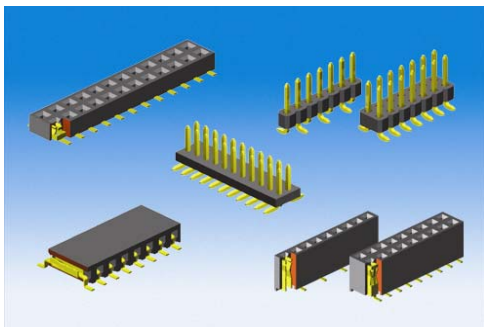
Compact Flash Connector



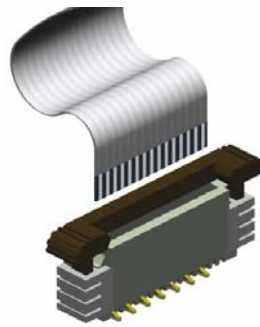
Gullwing Chip Sockets



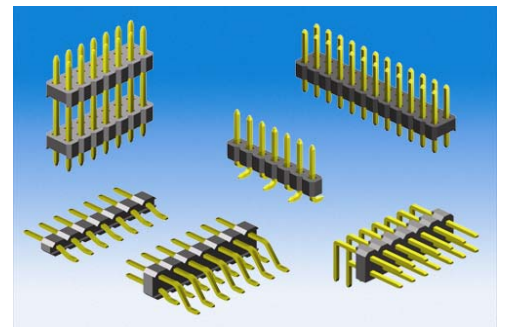
Fine Pitch Board to Board Connectors



SMT Board to Board Connectors



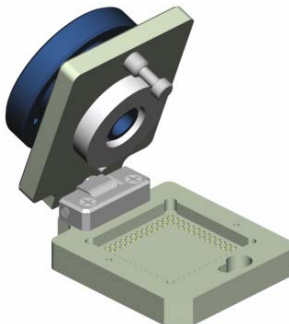
Flex Cable Connectors



Pin Header



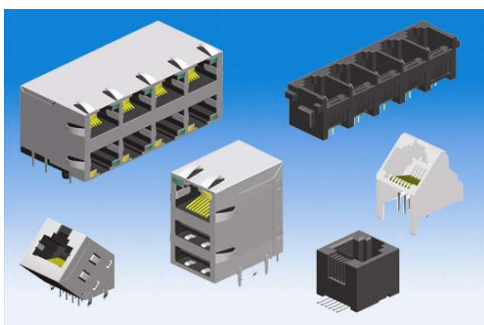
Probe Pin & Probe Pin Connectors



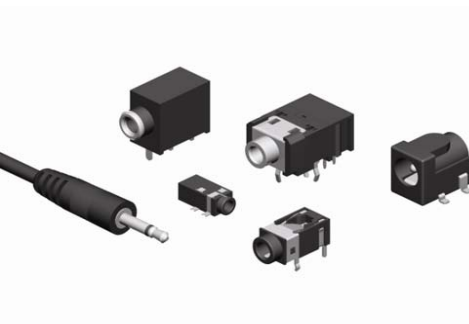
Ball / Land Grid Array Sockets



Multi Media Card Connectors



Modular Plugs & Jacks



Phono - & DC - Power Connectors



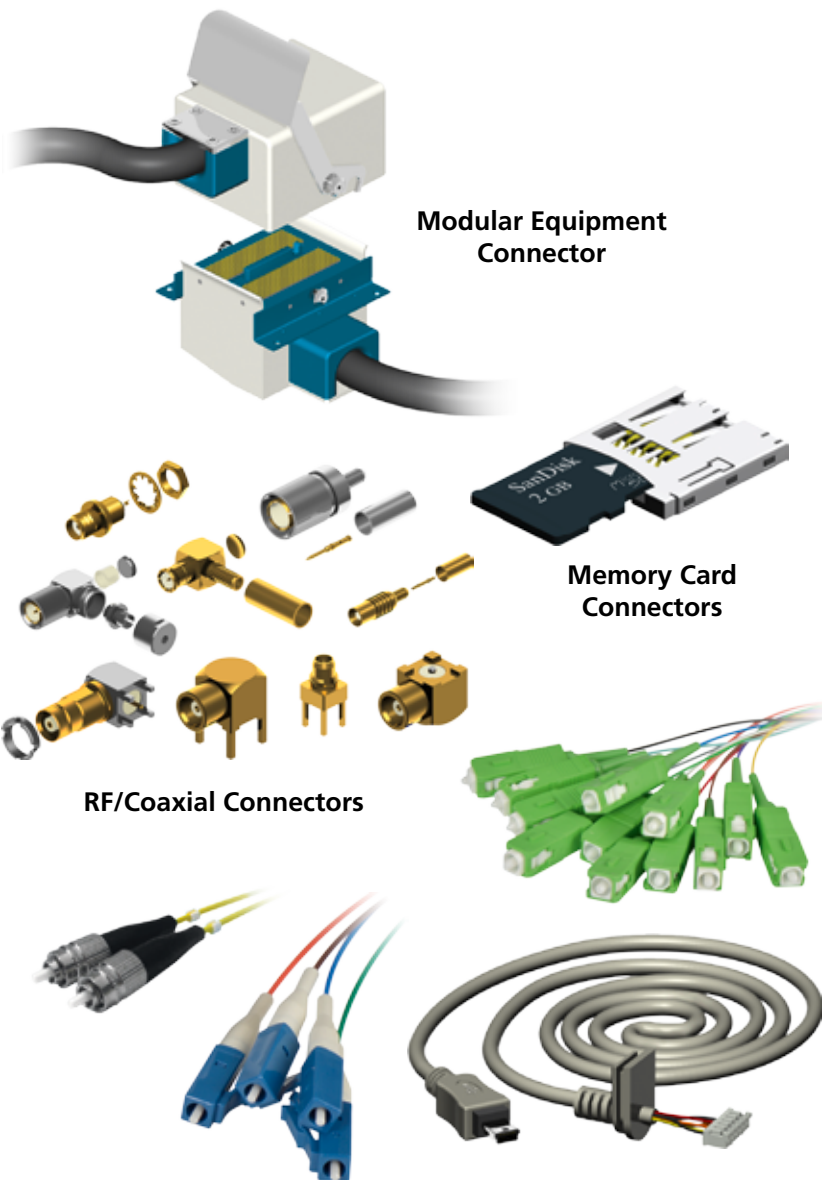
RF - Connectors

**E-tec Company Profile**

Since more than 40 years E-tec has been active in the electronics interconnection field (Test-Sockets, IC Sockets, PCB interconnect products, D-Sub's, Switches, RF Connectors, etc.) on a world-wide basis. E-tec offers a very comprehensive range of industry standard products as well as many customized products which can be found in a variety of application fields, such as aeronautics, military, medical, communications, automotive, multi-media and many others.

We offer very short delivery times from prototype small volume to large volume production series. Thanks to our own production facilities in Switzerland, Taiwan and China, we aim to offer a solution to all your problems. Quality assurance is an essential part of our production process, since our main objective is to offer products which correspond to the highest quality standards.

**OTHER AVAILABLE PRODUCTS & CUSTOM PARTS**



**Modular Equipment Connector**

**Memory Card Connectors**

**RF/Coaxial Connectors**

**LAN Solutions and Custom Cable Assembly**

**International Sales Headquarters and Factory**



Switzerland  
Schweiz  
Suisse  
E-tec Interconnect AG  
Friedhofstrasse 1  
CH-2543 Lengnau b. Biel  
Phone: +41 (0) 32 654 1550  
Fax: +41 (0) 32 652 2693  
E-mail: info@e-tec.com  
www.e-tec.com

**Factory**



Taiwan  
E-tec Interconnect Asia Ltd.  
10-2F, No. 260, Section 2,  
New Taipei Blvd., Sanchong Dist.  
24158 New Taipei City TAIWAN  
Phone: +886 / 22 999-27 26  
Fax: +886 / 22 999-52 55  
E-mail: info@e-tec-asia.com.tw  
www.e-tec-asia.com.tw

**Related Sales Headquarters**

Deutschland  
Germany  
Allemagne  
EMC electro mechanical components GmbH  
PF. 1160  
D-65510 Idstein  
Phone: +49 / 6126 / 9395-0  
Fax: +49 / 6126 / 9395-72  
E-mail: info@emc.de  
www.emc.de

England  
Angleterre  
E-tec Interconnect UK Ltd.  
Units A5 & A6 Decimus Park  
Kingstanding Way  
Tunbridge Wells  
Kent TN2 3GP  
Phone: +44 / 1892 / 53 02 60  
Fax: +44 / 1892 / 51 55 60  
E-mail: info@e-tec.co.uk  
www.e-tec.co.uk

USA/Canada  
E-tec Interconnect USA Ltd,  
Post Office Box 4078  
Mountain View CA 94040  
Phone: +1 408.746.2800  
Fax: +1 408.519.6611  
E-mail: info-us@e-tec.com  
www.e-tec.com

France  
Frankreich  
Silfox SAS  
Écopôle-ZAC Le Charme  
245, avenue de Rio  
F-77550 Moissy-Cramayel  
Phone: +33 / 1 / 49 56 04 68  
Fax: +33 / 1 / 49 56 02 87  
E-mail: info@silfox.fr  
www.silfox.fr